

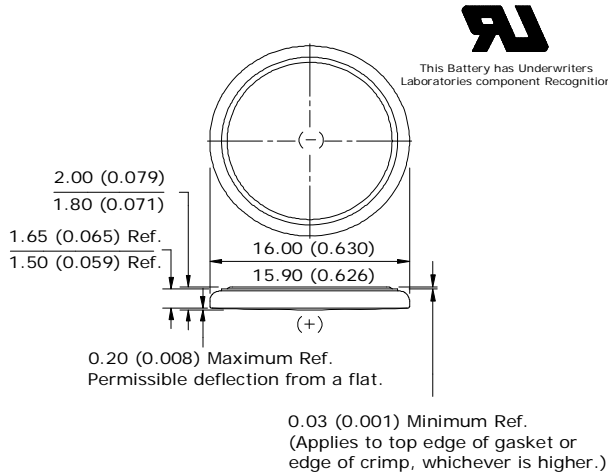
ENERGIZER CR1620

Lithium Coin



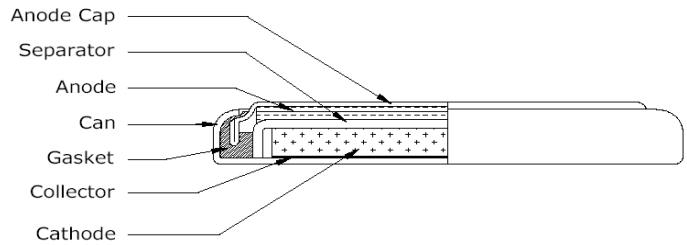
Industry Standard Dimensions

mm (inches)



- Classification:** "Lithium Coin"
Chemical System: Lithium / Manganese Dioxide (Li/MnO₂)
Designation: ANSI / NEDA-5009LC, IEC-CR1616
Nominal Voltage: 3.0 Volts
Typical Capacity: 79 mAh (to 2.0 volts)
 (Rated at 30K ohms at 21°C)
Typical Weight: 1.3 grams (0.04 oz.)
Typical Volume: 0.4 cubic centimeters (0.02 cubic inch)
Max Rev Charge: 1 microampere
Energy Density: 164 milliwatt hr/g, 573 milliwatt hr/cc
Typical Li Content: 0.043 grams (0.0015 oz.)
UL Listed: MH12454
Shipping: For complete details, please reference:
 Global (except US): Special Provision A45 of the International Air Transport Association Dangerous Goods Regulations
 United States: 49 CFR 173.185

Cross Section



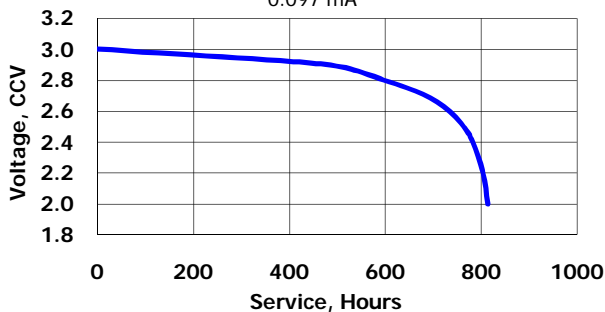
Simulated Application test

Typical Performance at 21°C (70°F)

Schedule:	Typical Drains: at 2.9V (mA)	Load (ohms)	Cutoff 2.0V (hours)
Continuous	0.097	30,000	814

Typical Discharge Characteristics

Load: 30K ohms - Continuous
 Typical Drain @ 2.9V:
 0.097 mA

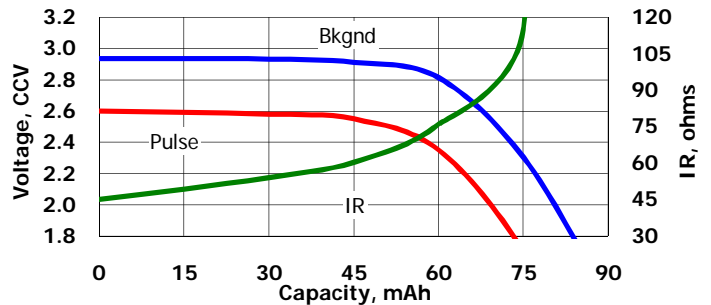


Internal Resistance Characteristics

Pulse Test at 21°C (70°F)

Bkgnd Drain: Continuous
 30K ohms
 0.097 mA @2.9V

Pulse Drain: 2 seconds X 12 times/day
 400 ohms
 6.5 mA @2.6V



Important Notice

This datasheet contains typical information specific to products manufactured at the time of its publication.
 ©Energizer Holdings, Inc. - Contents herein do not constitute a warranty.