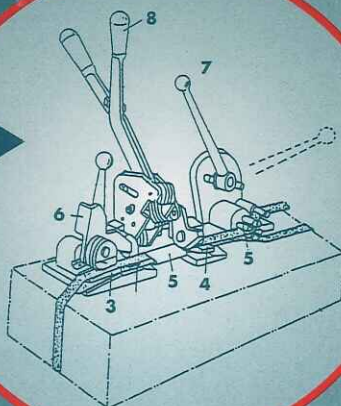


Take the leading end of the strapping, and secure it under the gripper foot (1) by bringing the handle (2) down. Pass the strapping under the cutting block (4) and round the parcel and over foot (3) and (4) then feed it into the split of the windlass (5).

Pass the lever (6) to the right to grip the strapping at the foot (3). Tension the strapping with the handle (7) to the desired tension. Place the seal (s) over both straps, bring the handles (8) down on to the seal keeping both of the handles (8) together, this will automatically cut the strapping.



Take the two handles (8) and separate them with force to crimp the seal. Bring the handles (8) together and lift them clear of the strapping, lift the handle (2) to release the tool.

