



MAG Series

PC Case

MAG PANO 100L PZ
MAG PANO 100L PZ WHITE
MAG PANO 100R PZ
MAG PANO 100R PZ WHITE

User Guide

Contents

Specifications	3
Accessories	5
Case Features	6
Side and Front View	7
I/O and Buttons	8
Side Panel Removal	9
Side Dust Filter Removal	10
Side Dust Filter Installation	11
Top Panel Removal	12
Front Bezel Removal	13
Motherboard Installation	14
Graphics Card Brackets Replacement	15
Horizontal Graphics Card Installation	16
Vertical Graphics Card Installation	17
GPU Holder Installation and Adjustment	18
Opening Cable Management Door	19
HDD & SSD Installation	20
PSU Installation	21
Fan Compatibility and Setup	22
Radiator Compatibility and Setup	23
Panel I/O Connection	24
Control Board Connection (100R only)	25
Front Bezel ARGB LED Connection	27
General Information	28

Specifications

Basic Information

Case Type	Mid Tower
Dimensions (DxWxH)	518.7 x 290 x 482mm
Supported Motherboard Sizes	ATX* (305 x 244mm), Micro-ATX*, Mini-ITX * Supports ATX and Micro-ATX back-connect motherboards

Cooling Fan Support

Top	3 x 120mm or 3 x 140mm
Front	No
Rear	1 x 120mm 100R pre-installed 1 x 120mm 3-pin ARGB fan (Normal Blade)
Side	3 x 120mm or 2 x 140mm 100R pre-installed 3 x 120mm 3-pin ARGB fans (Reverse Blade)
Bottom	3 x 120mm, 2 x 140mm or 2 x 160mm

Expansion Slots

Horizontal GPU Bracket	8 slots
Vertical GPU Bracket (pre-installed)	4 slots

Drive Bays

2.5" SSD	5
3.5" HDD	2
Combo 3.5"/2.5"	2 x 2.5" or 2 x 3.5"

I/O Ports and Buttons

USB Ports	2 x USB 5Gbps Type-A 1 x USB 20Gbps Type-C
Audio Ports	1 x Audio/Microphone combo jack
Buttons	1 x Power button 1 x Reset button











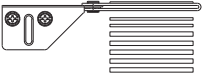
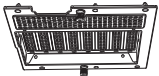
Chassis Clearances

Maximum CPU Cooler Height	166 mm
Maximum GPU Length	400 mm
Top Radiator Support	360 mm
Rear Radiator Support	120 mm
Side Radiator Support	360 mm
Bottom Radiator Support	360 mm
PSU Support	200 mm

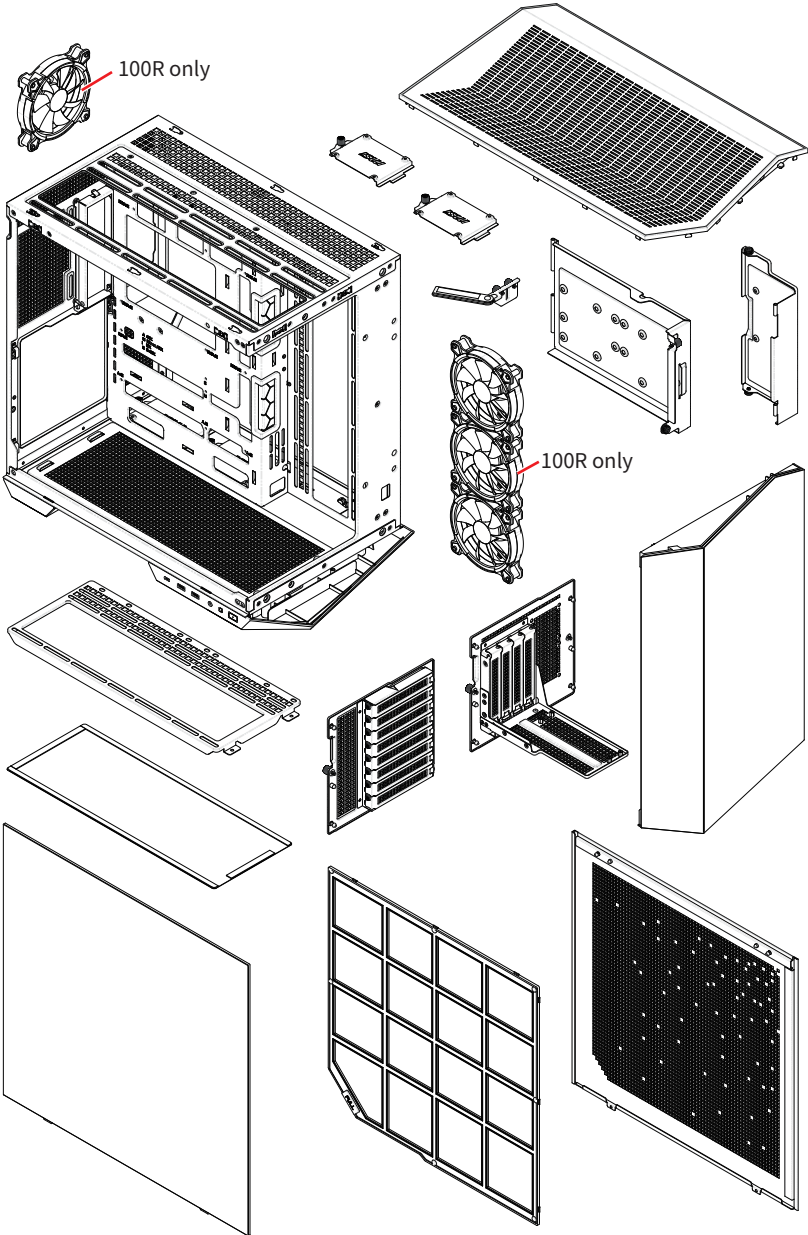
Materials

Metal Specification	SPCC 0.8 mm
Front Bezel Material	4mm tempered glass
Left Side Panel	4mm tempered glass
Top Bezel	Internal plastic structure enclosed in metal
Dust Filter	Top: Plastic filter Right: Plastic, magnetic frame Bottom: Plastic, magnetic frame
GPU holder	Steel

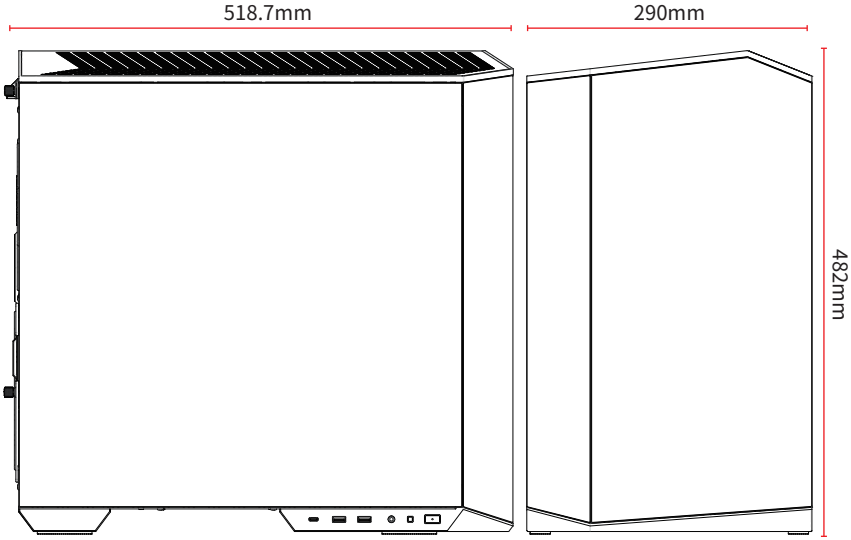
Accessories

Item	Name / Q' ty	Used for
	Cable ties x5	Cable management
	Screw M3 5mm x21	Motherboard / SSD
	Screw #6-32 6mm x6	Securing PSU / PCIe Card
	Screw #6-32 10mm x8	3.5" HDD
	Screw M3 10mm x8	2.5" SSD
	HDD silicone shock absorber pad x6	Protecting HDD from physical shocks and vibrations
	Stand-off #6-32 6.5mm x4	Motherboard Stud
	Stand-off Mounting Tool x1	Securing stand-off
	Spare U Clip x2	Securing side panel
	Hook-and-loop fastener x1	Cable management
	GPU Holder x1 56*10*2mm EVA pad x2 56*10*10mm EVA pad x5	Supporting the horizontal graphics card
	Horizontal Graphics Card Bracket x1	Installing the horizontal graphics card

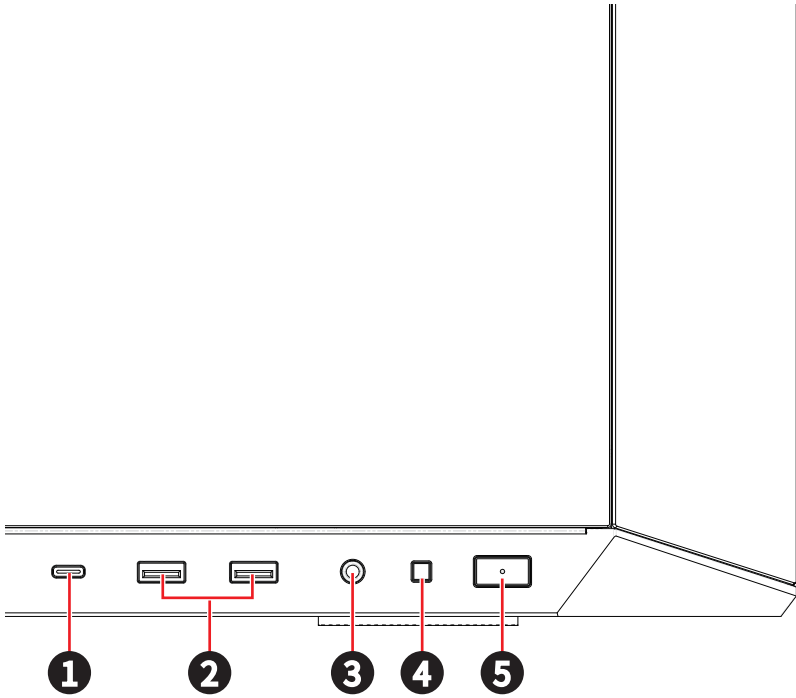
Case Features



Side and Front View

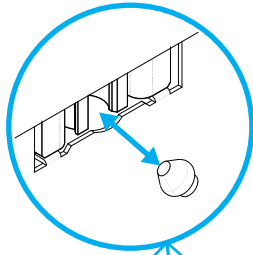


I/O and Buttons

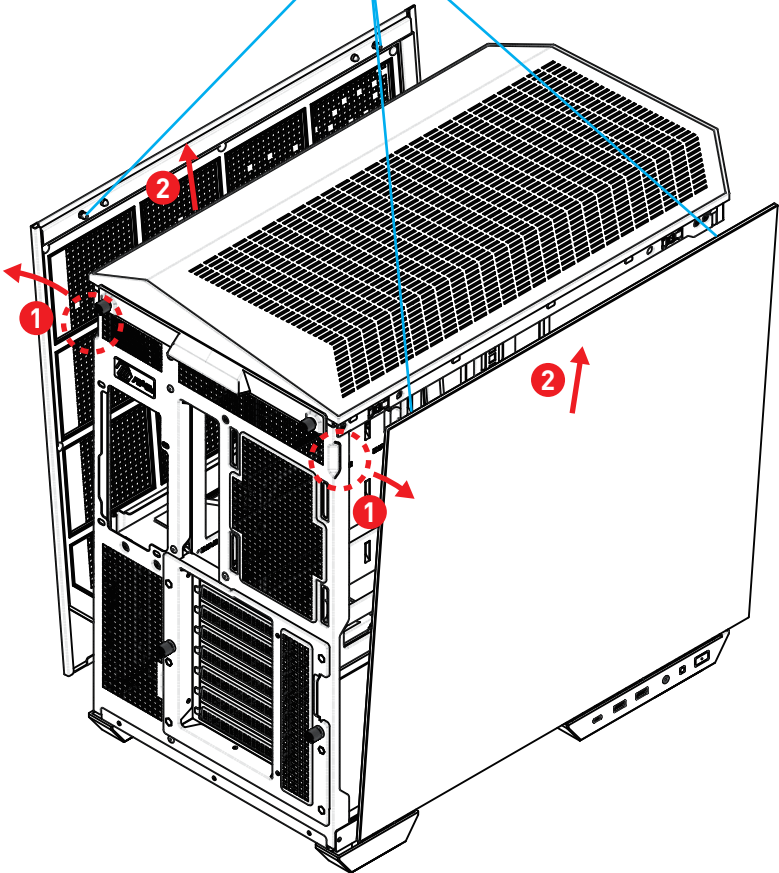


Item	Description
1	USB 20Gbps Type-C
2	USB 5Gbps Type-A
3	Audio/Microphone combo jack
4	Reset button
5	Power button

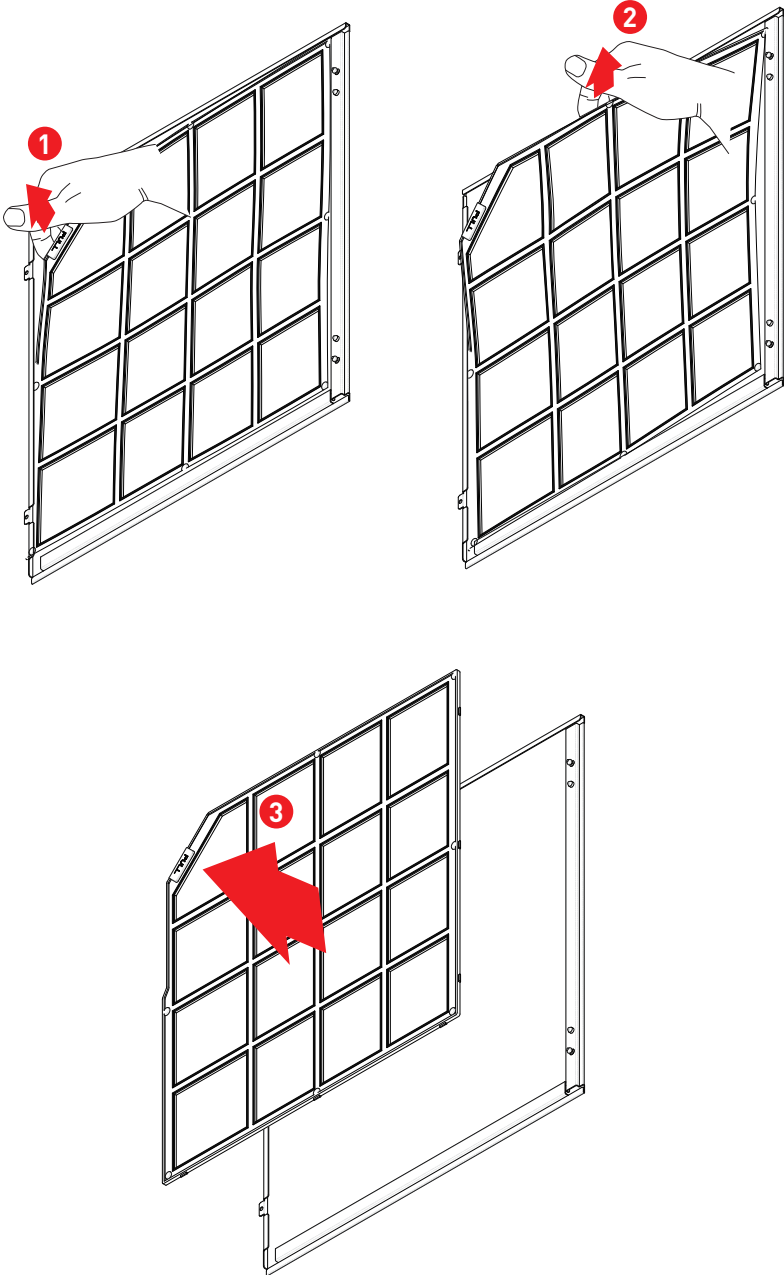
Side Panel Removal



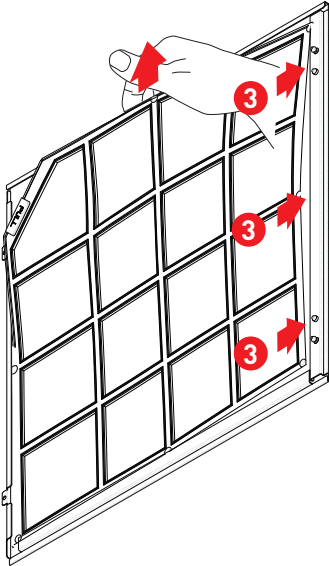
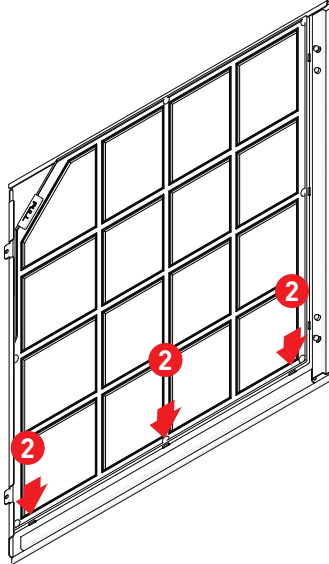
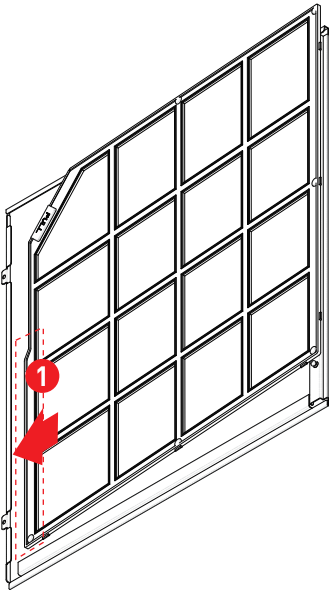
The side panel is held in place by snap-fit clips



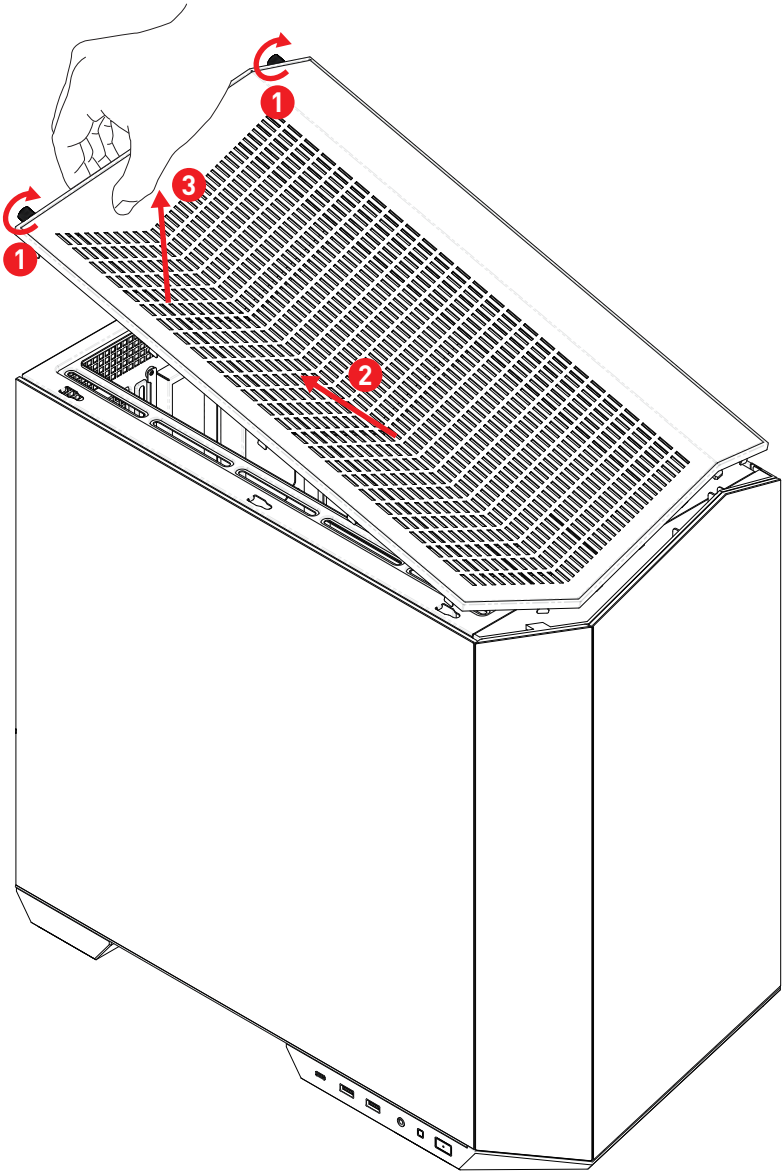
Side Dust Filter Removal



Side Dust Filter Installation



Top Panel Removal



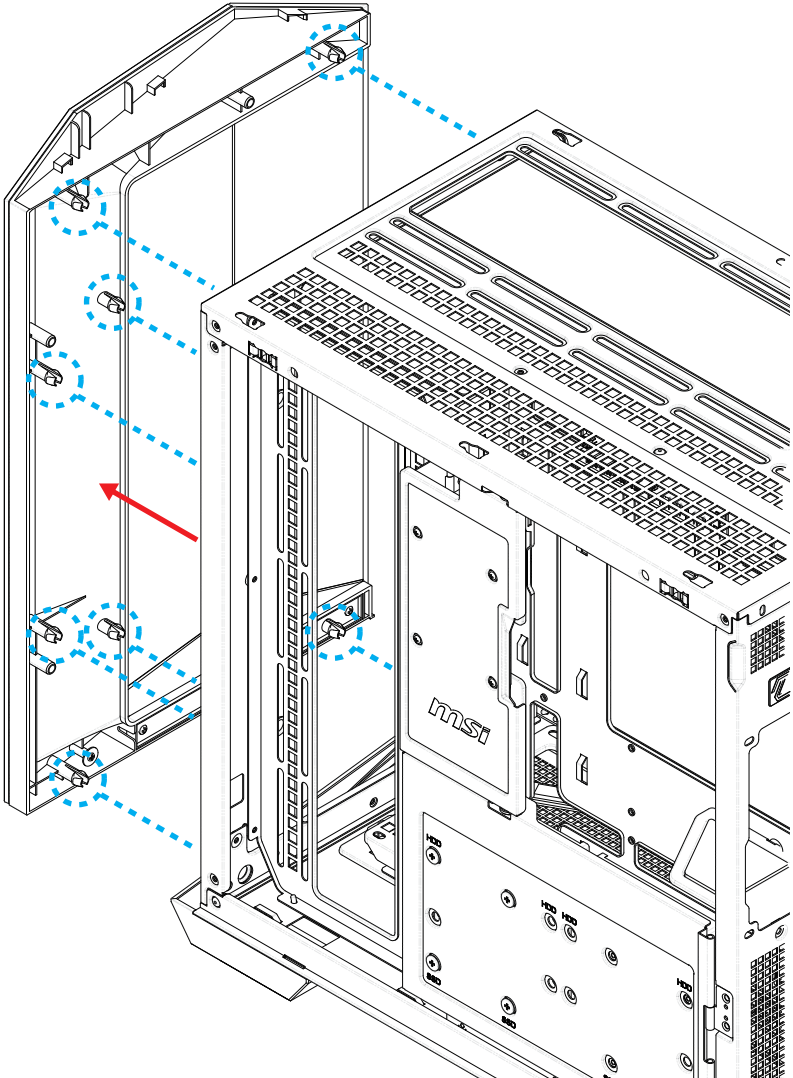
Front Bezel Removal

Before removing the front bezel, please remove the top panel and side panels on both sides and gently pull out the front panel with your hand.

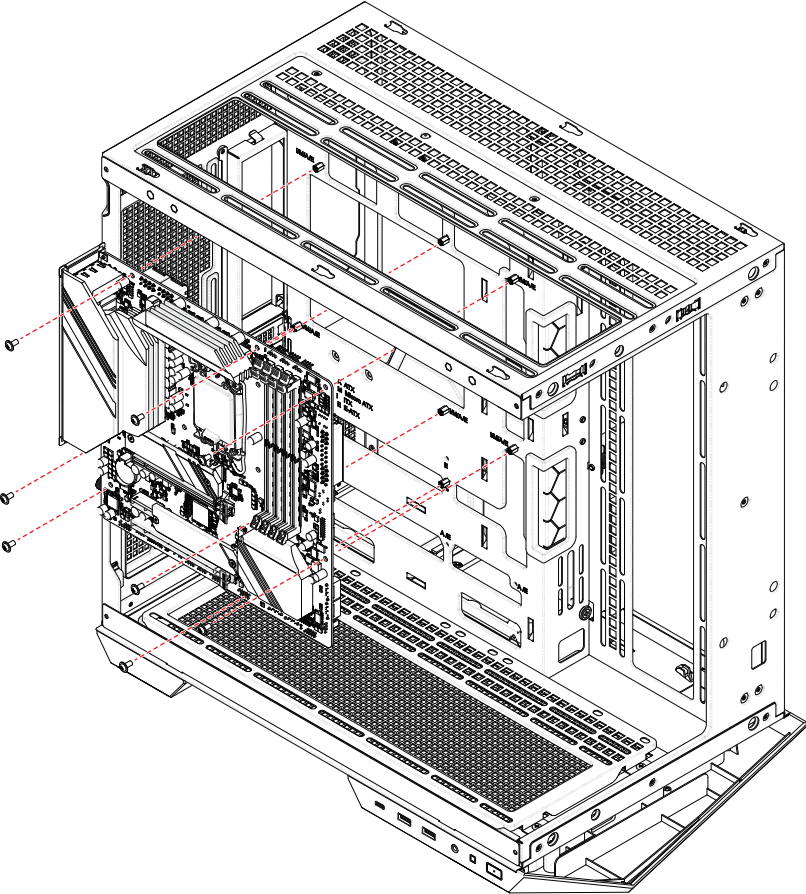


CAUTION

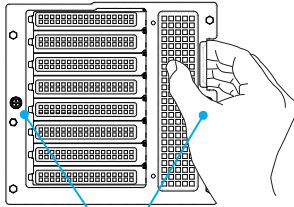
When pulling the front panel, please pull the plastic shell part with your hands and avoid pulling on the glass to avoid breakage.



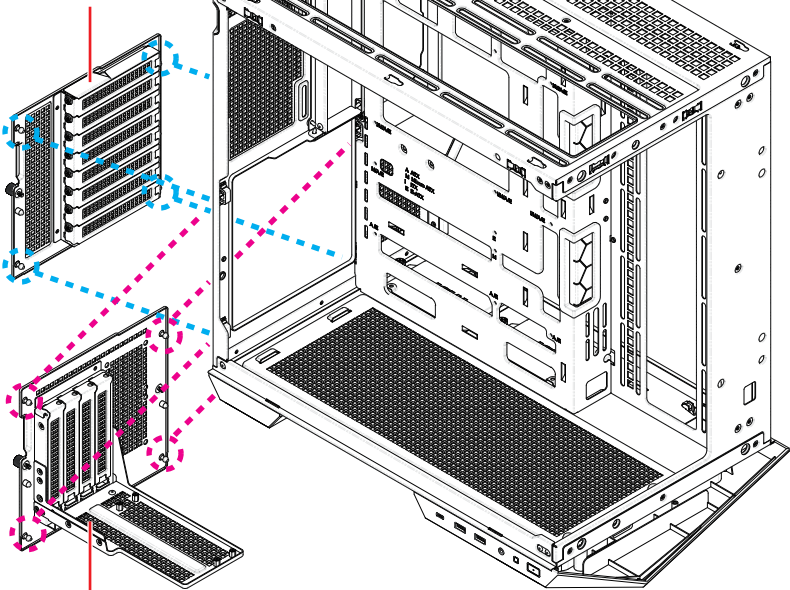
Motherboard Installation



Graphics Card Brackets Replacement



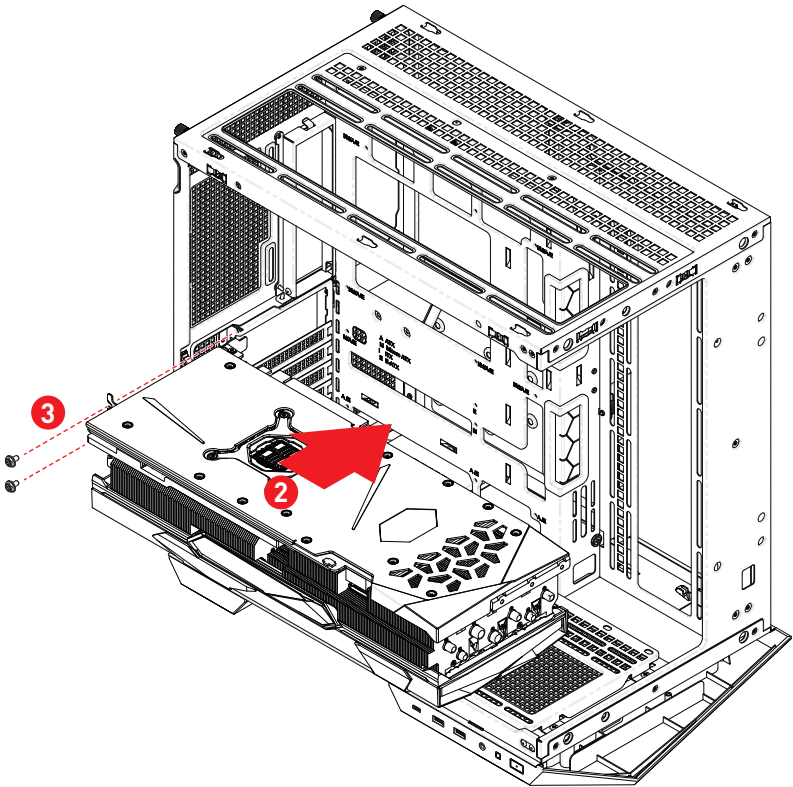
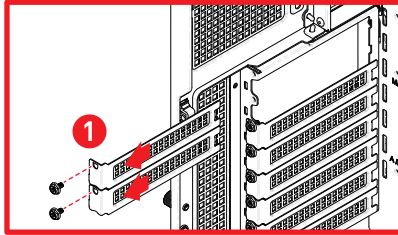
Horizontal Graphics Card Bracket



Vertical Graphics Card Bracket

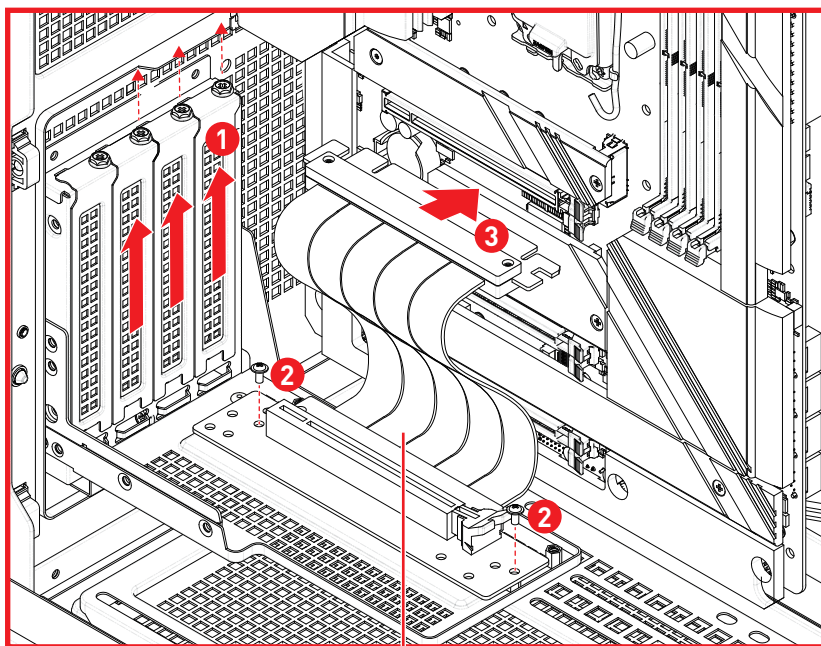
Horizontal Graphics Card Installation

Before horizontally installing the graphics card, please refer to the **Graphics Card Brackets Replacement** section and replace it with the Horizontal Graphics Card Bracket.

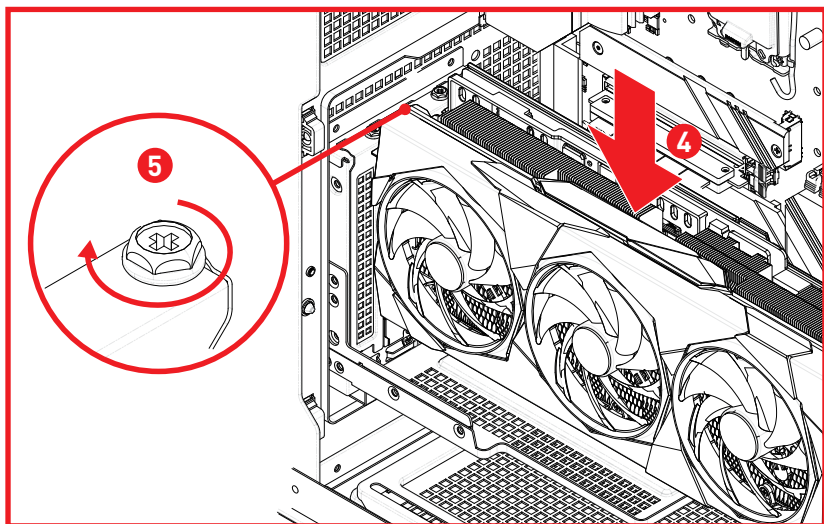


Vertical Graphics Card Installation

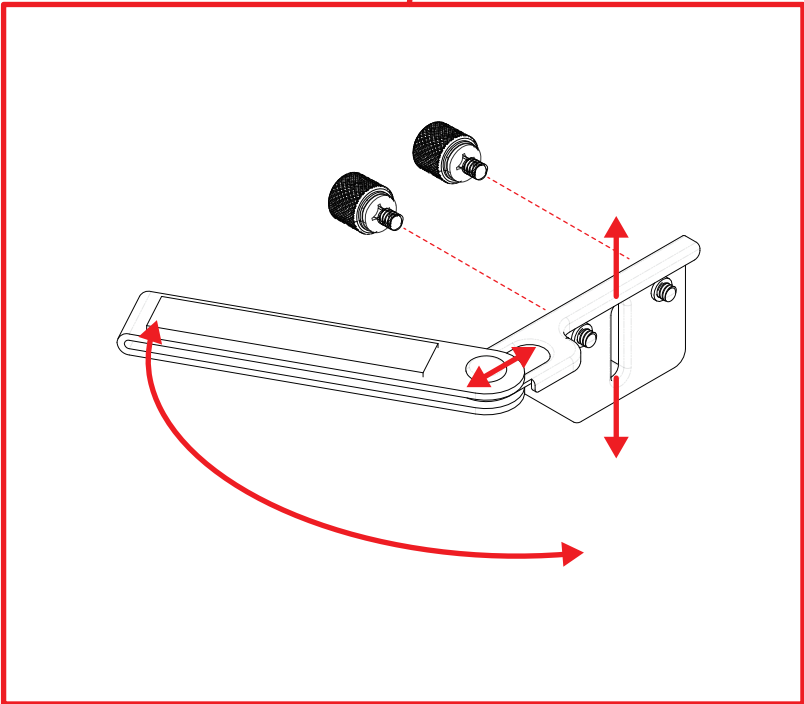
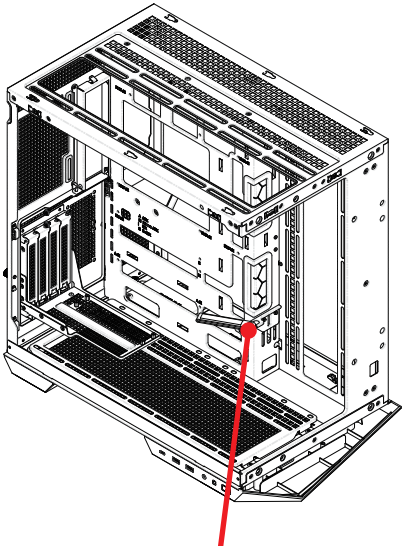
Before vertically installing the graphics card, please refer to the **Graphics Card Brackets Replacement** section and replace it with the Vertical Graphics Card Bracket.



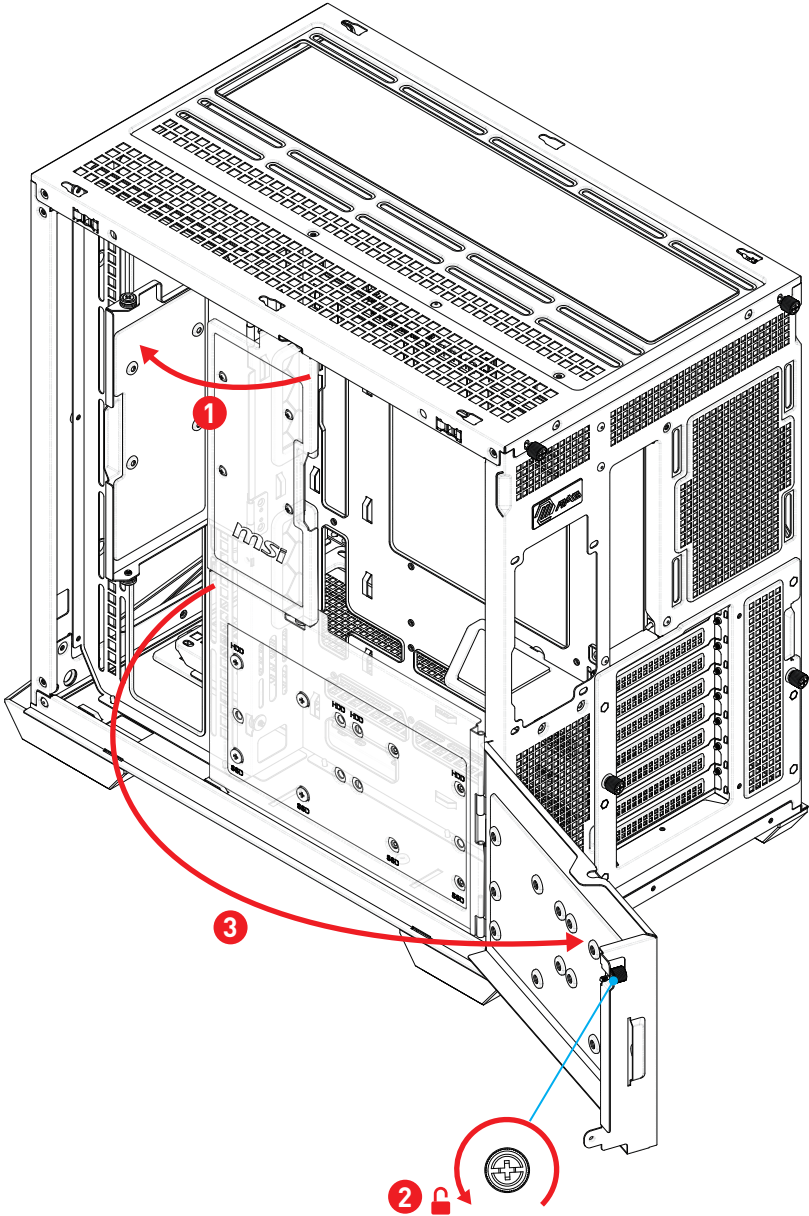
The riser cable needs to be purchased separately.



GPU Holder Installation and Adjustment

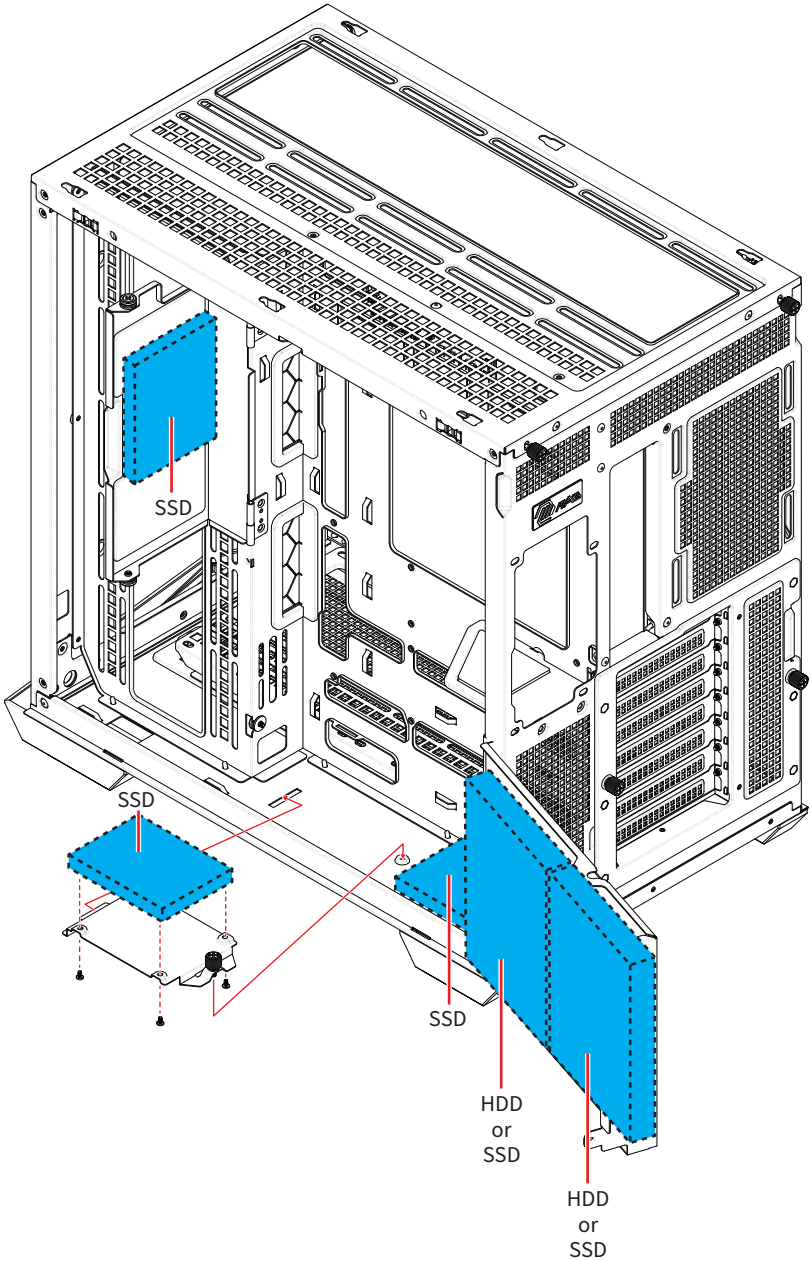


Opening Cable Management Door



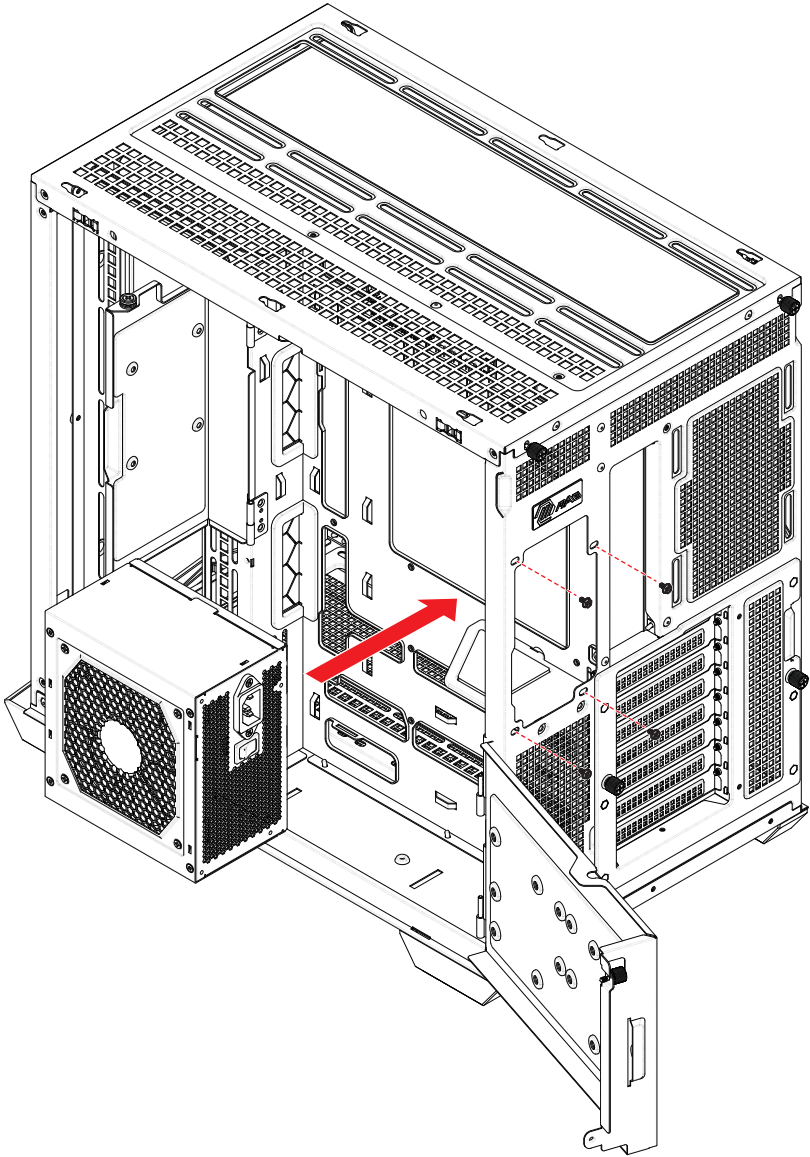
HDD & SSD Installation

Please refer to the **Opening Cable Management Door** section before installing the HDD & SSD.

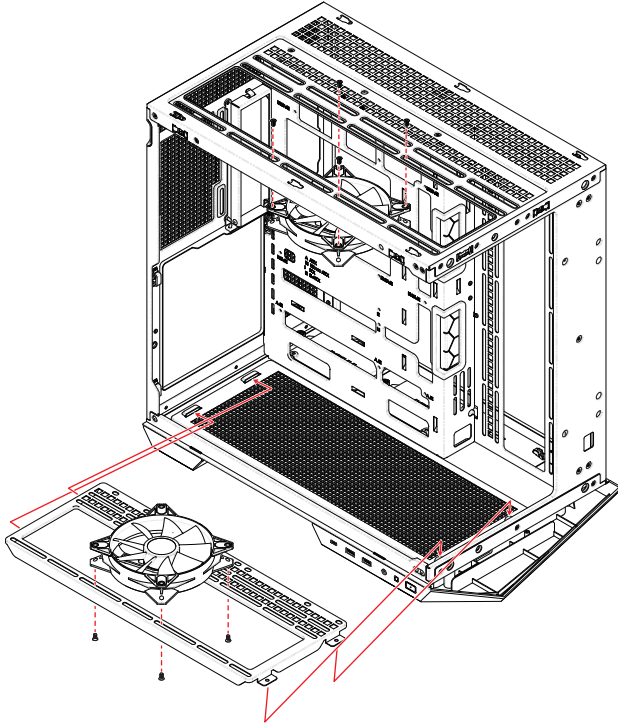


PSU Installation

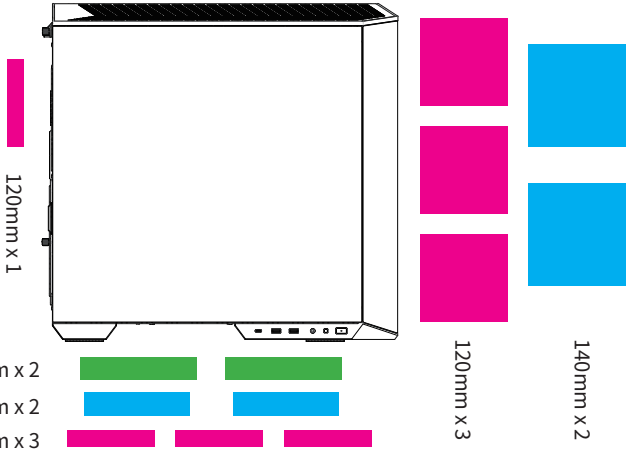
Please refer to the **Opening Cable Management Door** section before installing the PSU.



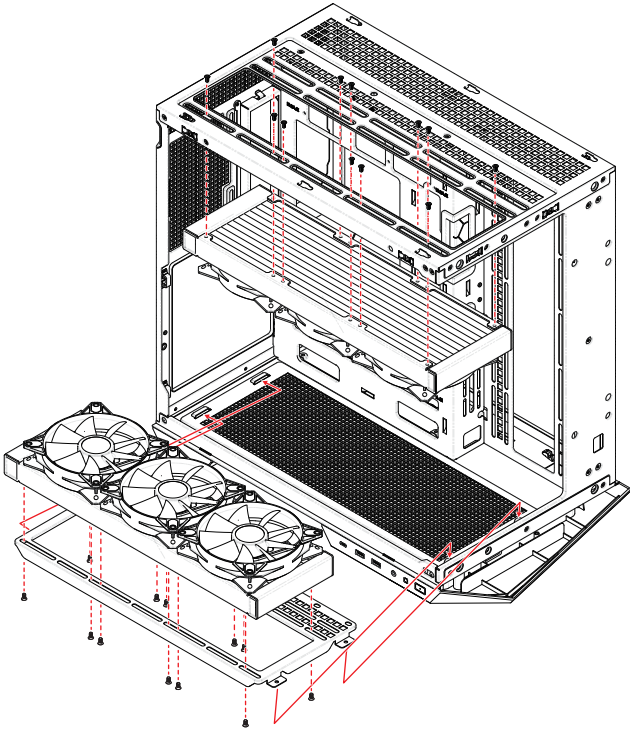
Fan Compatibility and Setup



- 140mm x 3
- 120mm x 3



Radiator Compatibility and Setup



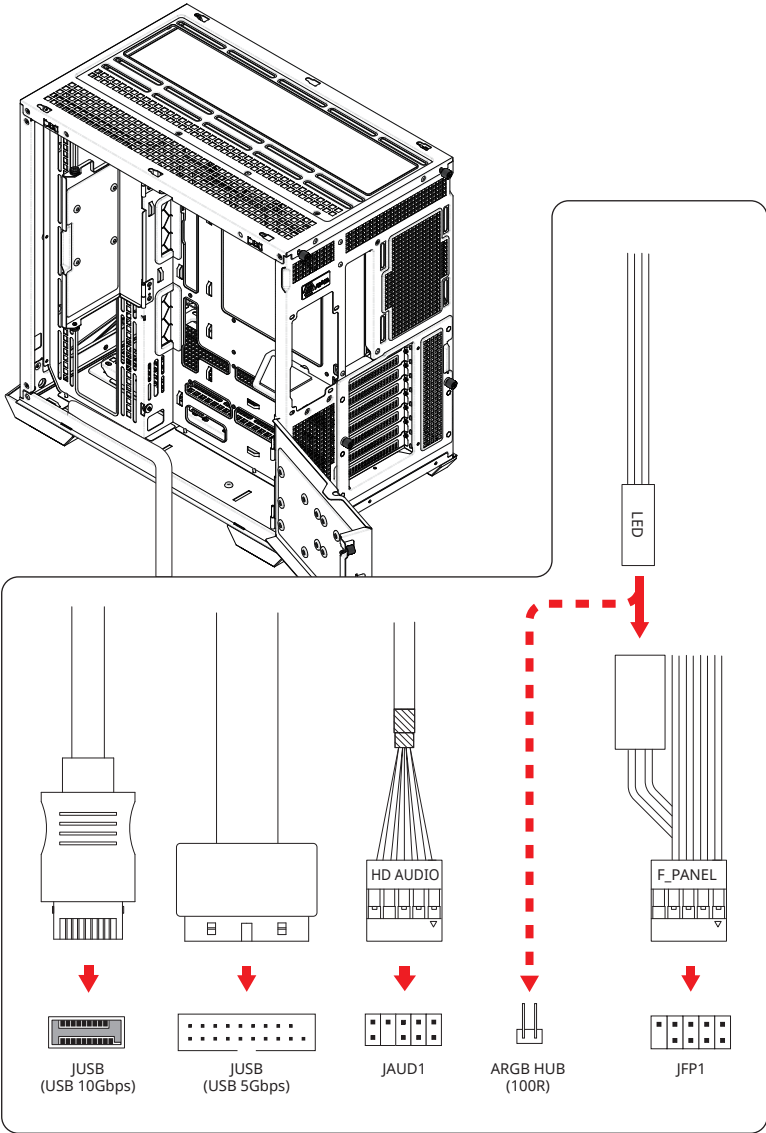
360mm

120mm

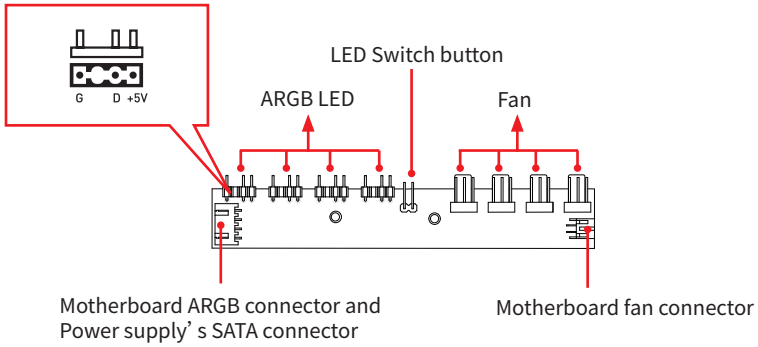
360mm

360mm

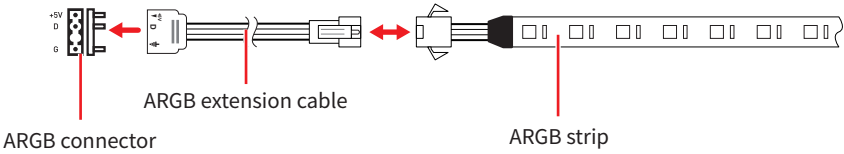
Panel I/O Connection



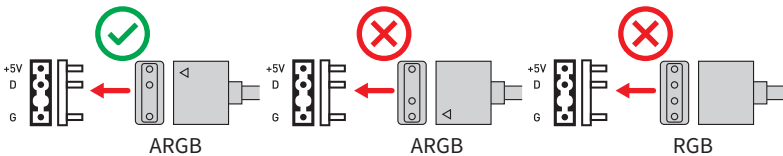
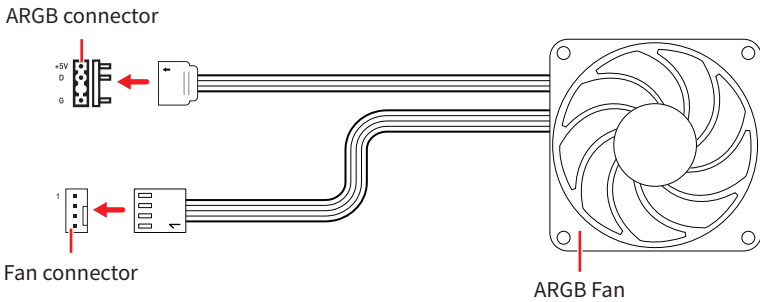
Control Board Connection (100R only)



Addressable RGB LED Strip Connection



Addressable RGB LED Fan Connection





IMPORTANT

- Please always turn off the power supply and unplug the power cord from the power outlet before installing or removing the ARGB LED Strip/Fan.
- Supports a maximum of 80 LEDs. Exceeding this limit may result in overheating, abnormal colors, or malfunctions.
- Please ensure all cables are securely connected before powering on.

LED Switch Button Function

- Single press to toggle between LED effects.
- Long press for three seconds to sync with the motherboard.
- Long press for six seconds to turn off the lights. The lights will flash four times. To turn the lights back on, press the button once.

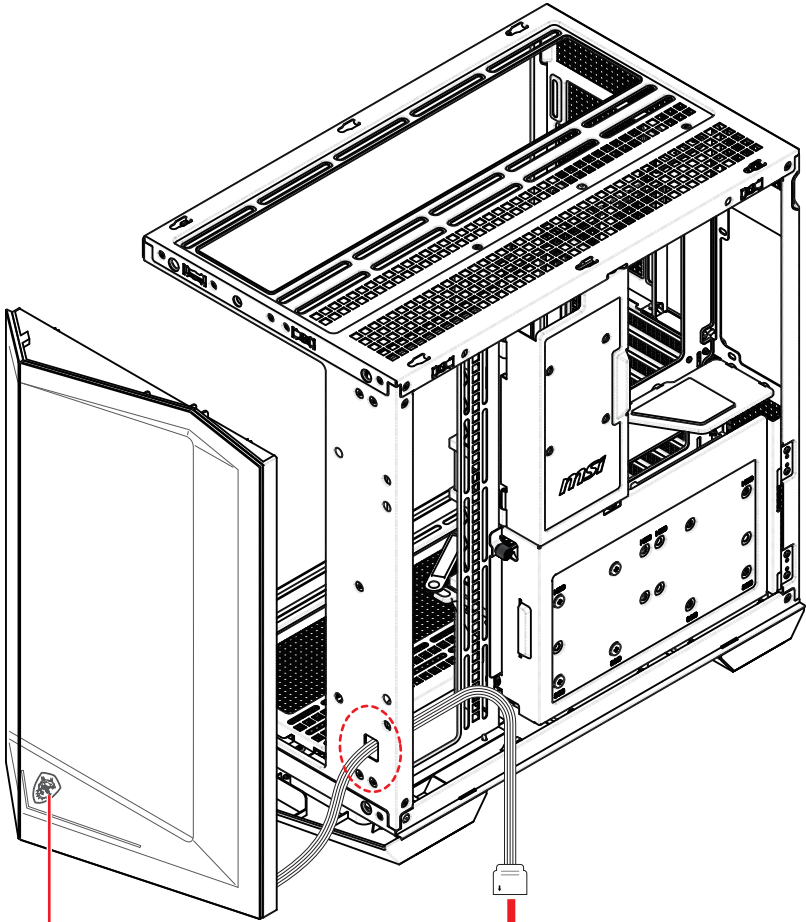
LED Effect Sequence

After pressing the LED Switch button, the LED effect sequence is as follows:

1	Rainbow
2	Rainbow trail
3	Rainbow gradient
4	Purple
5	White
6	Blue
7	Cyan
8	Green
9	Yellow
10	Red
11	Rainbow breathing
12	Red breathing
13	Yellow breathing

14	Green breathing
15	Cyan breathing
16	Blue breathing
17	White breathing
18	Purple breathing
19	Static rainbow
20	Red
21	Yellow
22	Green
23	Cyan
24	Blue
25	White
26	Purple

Front Bezel ARGB LED Connection



ARGB LED

JRAINBOW
(ARGB)

General Information

Copyright and Trademarks Notice

msi

MSI

微星

微星科技
MICRO-STAR INTERNATIONAL



Copyright © Micro-Star Int'l Co., Ltd. All rights reserved.

The MSI logo used is a registered trademark of Micro-Star Int'l Co., Ltd. All other marks and names mentioned may be trademarks of their respective owners. No warranty as to accuracy or completeness is expressed or implied. MSI reserves the right to make changes to this document without prior notice.

All text, images, illustrations, and other content in this manual are the property of MSI. No part of this manual may be reproduced, distributed, or used in any form without the written permission of MSI.

Revision History

- Version 1.0, 2024/04, First release.
- Version 1.1, 2024/11, Add 100R.
- Version 1.2, 2025/09, Update control board.

