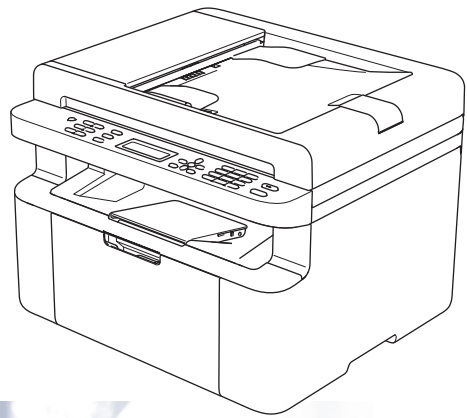


# User's Guide

DCP-1600E  
DCP-1602(E)  
DCP-1610W(E)  
DCP-1612W  
MFC-1900(E)  
MFC-1905  
MFC-1910W(E)



Not all models are available in all countries.

# Brother numbers

## IMPORTANT

---

For technical help, you must call Brother customer service or your local Brother dealer.

---

### Register your product

Please complete the Brother Warranty Registration or, for your convenience and most efficient way to register your new product, register on-line at

<http://www.brother.com/registration>

### Frequently asked questions (FAQs)

The Brother Solutions Center is our one-stop resource for all your machine needs. You can download the latest drivers, software and utilities, read FAQs and troubleshooting tips to learn how to get the most from your Brother product.

<http://support.brother.com>

You can check here for Brother driver updates.

### Customer Service

Visit <http://www.brother.com> for contact information on your local Brother office.

### Service center locations

For service centres in Europe, contact your local Brother Office. Address and telephone contact information for European offices can be found at <http://www.brother.com> by selecting your country.

#### Internet Addresses

Brother Global website: <http://www.brother.com>

For Frequently Asked Questions (FAQs), Product Support and Technical Questions, and Driver Updates and Utilities: <http://support.brother.com>

# User's Guides and where do I find them?

Which Guide?	What's in it?	Where is it?
<b>Product Safety Guide</b>	Read this Guide first. Read the Safety Instructions before you set up your machine. See this Guide for trademarks and legal limitations.	Printed / In the Box
<b>Quick Setup Guide</b>	Follow the instructions for setting up your machine and installing the drivers and software for the operating system and connection type you are using.	Printed / In the Box
<b>User's Guide</b>	Learn the Fax (MFC models only), Scan and Copy operations. See troubleshooting tips and machine specifications.	For MFC: Printed / In the Box  For Czech Republic, Republic of Bulgaria, Republic of Hungary, Republic of Poland, Romania, Slovak Republic, Republic of Croatia, Republic of Slovenia, Republic of Serbia: (Windows® only) PDF file / CD-ROM / In the box  For DCP: (Windows® only) PDF file / CD-ROM / In the box
<b>Software and Network User's Guide</b>	This Guide provides instructions for Scanning, Printing, PC-FAX and other operations that can be performed by connecting your Brother machine to a computer. You can also find useful information about using the Brother ControlCenter utility, using your machine in a network environment, and frequently used terms.	(Windows®) HTML file / CD-ROM / In the Box  (Macintosh) HTML file / Brother Solutions Center <sup>1</sup>
<b>Mobile Print/Scan Guide for Brother iPrint&amp;Scan</b>  (For wireless network models)	This Guide provides useful information about printing from your mobile device and scanning from your Brother machine to your mobile device when connected on a Wi-Fi® network.	PDF file / Brother Solutions Center <sup>1</sup>

<sup>1</sup> Visit us at <http://support.brother.com>.

# Table of Contents

<b>1</b>	<b>General information</b>	<b>1</b>
	Using the documentation.....	1
	Symbols and conventions used in the documentation .....	1
	Accessing Brother Utilities (Windows®).....	2
	Accessing the Software and Network User's Guide .....	3
	Viewing Documentation.....	3
	Accessing Brother CreativeCenter .....	4
	Control panel overview .....	5
	Menu and features for MFC models .....	8
	On-screen programming.....	8
	Menu table.....	9
	0.Initial Setup.....	10
	1.General Setup .....	15
	2.Fax.....	19
	3.Copy .....	31
	4.Printer .....	32
	5.Print Reports.....	33
	6.Network (For MFC-1910W(E) only).....	35
	7.Machine Info. <sup>1</sup> .....	38
	Menu and features for DCP models .....	39
	On-screen programming.....	39
	Menu table.....	40
	1.General Setup .....	41
	2.Copy .....	43
	3.Printer .....	44
	4.Network (For DCP-1610W(E) and DCP-1612W only).....	45
	5.Machine Info. <sup>1</sup> .....	48
	Entering text .....	49
	MFC models .....	49
	DCP models .....	50
	Ecology features.....	51
	Deep Sleep mode.....	51
	Auto Power Off (DCP models only).....	51
	Toner Settings .....	51
	Toner Setting (Continue mode).....	51
	Receiving faxes in Continue Mode (MFC models only).....	52
<b>2</b>	<b>Paper Setting</b>	<b>53</b>
	Paper settings.....	53
	Paper Type .....	53
	Paper Size.....	53
	Acceptable paper.....	54
	Recommended paper and print media .....	54
	Paper capacity of the paper tray.....	54

<b>3</b>	<b>Loading documents</b>	<b>55</b>
	How to load documents .....	55
	Using the automatic document feeder (ADF) (ADF models only) .....	55
	Using the scanner glass .....	55
<b>4</b>	<b>Sending a fax (MFC models)</b>	<b>57</b>
	How to send a fax .....	57
	Cancelling a fax in progress .....	57
	Broadcasting .....	58
<b>5</b>	<b>Receiving a fax (MFC models)</b>	<b>59</b>
	Receive modes .....	59
	Choosing the receive mode .....	59
	Receive Mode settings .....	60
	Ring Delay .....	60
	F/T Ring Time (Fax/Tel mode only) .....	60
	Fax Detect .....	60
<b>6</b>	<b>Dialling and storing numbers (MFC models)</b>	<b>62</b>
	Storing numbers .....	62
	Storing Speed Dial numbers .....	62
	Changing or Deleting Speed Dial numbers .....	62
	How to dial .....	63
	Manual dialling .....	63
	Speed dialling .....	63
	Search .....	63
	Redial .....	63
	Caller ID (MFC-1910W only) .....	63
<b>7</b>	<b>Using PC-FAX (MFC models)</b>	<b>65</b>
	PC-FAX Receive (For Windows® only) .....	65
	PC-FAX sending .....	67
	Sending a file as a PC-FAX .....	67
<b>8</b>	<b>Telephone and external devices (MFC models)</b>	<b>69</b>
	Voice operations (MFC-1905 only) .....	69
	Making a telephone call .....	69
	Telephone line services .....	69
	Setting the telephone line type .....	69
	BT Call Sign (U.K. only) .....	70
	Connecting an external TAD (MFC-1900(E) and MFC-1910W(E) only) .....	70
	Connections .....	71
	Recording an outgoing message (OGM) .....	71
	Multi-line connections (PBX) .....	71
	External and extension telephones .....	72

	Connecting an external or extension telephone .....	72
	For Fax/Tel mode only.....	72
	Using extension telephones (U.K. only) .....	72
	Using a non-Brother cordless external handset .....	73
<b>9</b>	<b>Making copies</b>	<b>74</b>
	How to copy .....	74
	ID Copy .....	75
	Double-sided ID copy .....	75
	One-sided ID copy.....	76
	Other copies .....	77
<b>10</b>	<b>How to scan to a computer</b>	<b>80</b>
	Scanning a document as a PDF file using ControlCenter4 .....	80
	Scanning using the SCAN key.....	83
	SCAN key settings.....	83
<b>A</b>	<b>Troubleshooting and other information</b>	<b>85</b>
	Consumable items .....	85
	Identifying your problem .....	87
	Error and maintenance messages.....	88
	If you are having difficulty with your machine .....	90
	Telephone and Fax problems (MFC models).....	90
	Improving the print quality.....	92
	Document Jams (ADF models).....	97
	Paper Jams.....	98
	Transferring your faxes or Fax Journal report (MFC models).....	100
	Transferring faxes to another fax machine .....	100
	Transferring faxes to your PC.....	100
	Transferring the Fax Journal report to another fax machine .....	101
	Cleaning and Checking the machine .....	101
<b>B</b>	<b>Specifications</b>	<b>102</b>
	DCP-1600E, DCP-1602(E), MFC-1900(E) and MFC-1905 .....	102
	General.....	102
	Document Size .....	105
	Print Media .....	105
	Fax.....	106
	Copy .....	106
	Scanner .....	107
	Printer .....	107
	DCP-1610W(E), DCP-1612W and MFC-1910W(E) .....	108
	General.....	108
	Document Size .....	110
	Print Media .....	110
	Fax.....	111
	Copy .....	111
	Scanner .....	112

Printer .....	112
Network (LAN) .....	113

---

<b>C</b>	<b>Index</b>	<b>114</b>
----------	--------------	------------

---

## Using the documentation

Thank you for buying a Brother machine! Reading the documentation will help you make the most of your machine.

## Symbols and conventions used in the documentation

The following symbols and conventions are used throughout the documentation.

### WARNING

WARNING indicates a potentially hazardous situation which, if not avoided, could result in death or serious injuries.

### IMPORTANT

IMPORTANT indicates a potentially hazardous situation which, if not avoided, may result in damage to property or loss of product functionality.

### NOTE

NOTE specifies the operating environment, conditions for installation, or special conditions of use.



Prohibition icons indicate actions that must not be performed.



Electrical Hazard icons alert you to a possible electrical shock.



Hot Surface icons warn you not to touch machine parts that are hot.



Fire hazard icons alert you to the possibility of fire.

**Bold** Bold style identifies keys on the machine's control panel or on the computer screen.

*Italics* Italicized style emphasizes an important point or refers you to a related topic.

**Courier New** Courier New font identifies the messages shown on the LCD of the machine.


Follow all warnings and instructions marked on the product.

### NOTE

- Most of the illustrations in this User's Guide show the MFC-1910W.
- This User's Guide applies to the following models:
  - For wireless network models: DCP-1610W, DCP-1610WE, DCP-1612W, MFC-1910W, MFC-1910WE
  - For ADF models: MFC-1900, MFC-1900E, MFC-1905, MFC-1910W, MFC-1910WE




## Accessing Brother Utilities (Windows®)

**Brother Utilities**  is an application launcher that offers convenient access to all Brother applications installed on your device.


- 1 (Windows® XP, Windows Vista®, Windows® 7, Windows Server® 2003, Windows Server® 2008 and Windows Server® 2008 R2)


Click  (**Start**) > **All Programs** > **Brother** > **Brother Utilities**.

(Windows® 8 and Windows Server® 2012)

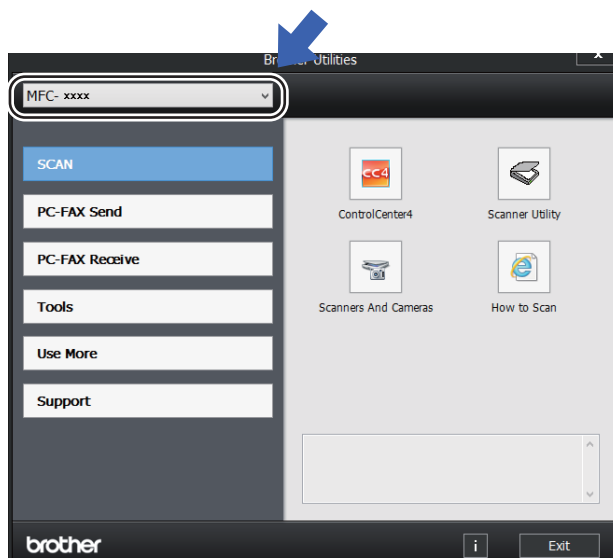
Tap or double-click  (**Brother Utilities**) either on the **Start** screen or the desktop.

(Windows® 8.1 and Windows Server® 2012 R2)

Move your mouse to the lower left corner of the **Start** screen and click  (if you are using a touchbased device, swipe up from the bottom of the **Start** screen to display the **Apps**

screen). When the **Apps** screen appears, tap or click  (**Brother Utilities**).

- 2 Select your machine.



- 3 Choose the function you want to use.

# Accessing the Software and Network User's Guide

This User's Guide does not contain all the information about the machine such as how to use the advanced features for Printer, Scanner, PC-Fax <sup>1</sup> and Network <sup>2</sup>. When you are ready to learn detailed information about these operations, read the Software and Network User's Guide that is on the installer CD-ROM for Windows<sup>®</sup> users.

Macintosh users can read the Software and Network User's Guide by downloading it from the Brother Solutions Center (<http://support.brother.com>).


<sup>1</sup> MFC models

<sup>2</sup> Wireless network models

## Viewing Documentation

### Viewing Documentation (Windows<sup>®</sup>)

(Windows<sup>®</sup> 7/Windows Vista<sup>®</sup>/Windows<sup>®</sup> XP)

Click  (Start) > All Programs >

Brother > Brother Utilities, and then click the drop-down list and select your model name (if not already selected). Click **Support** in the left navigation bar, and then click **User's Guides**.

(Windows<sup>®</sup> 8)

Click  (Brother Utilities), and then


click the drop-down list and select your model name (if not already selected). Click **Support** in the left navigation bar, and then click **User's Guides**.

If you have not installed the software, you can find the documentation on the installer CD-ROM by following the instructions below:

- 1 Turn on your computer. Insert the installer CD-ROM into your CD-ROM drive.

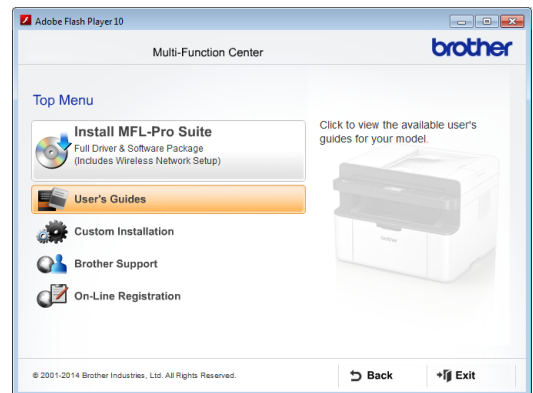
### NOTE

If the Brother screen does not appear, go to **Computer (My Computer)**.

(For Windows<sup>®</sup> 8: Click the  (File Explorer) icon on the taskbar, and then go to **Computer (This PC)**.)

Double-click the CD-ROM icon, and then double-click **start.exe**.

- 2 If the model name screen appears, click your model name.
- 3 If the language screen appears, click your language. The CD-ROM Top Menu will appear.



- 4 Click **User's Guides**.
- 5 Click **User's guides on the CD-ROM**. If the country screen appears, choose your country, and then click the document you want to read.

## **How to find Network setup instructions (For wireless network models)**

Your machine can be connected to a wireless network.

Basic setup instructions, see Quick Setup Guide.

If your wireless access point or router supports Wi-Fi Protected Setup or AOSS™, see Quick Setup Guide.

For more information about network setup, see Software and Network User's Guide.

## **Accessing Brother CreativeCenter**

If you are using Windows®, double-click the



(Brother CreativeCenter) icon on your

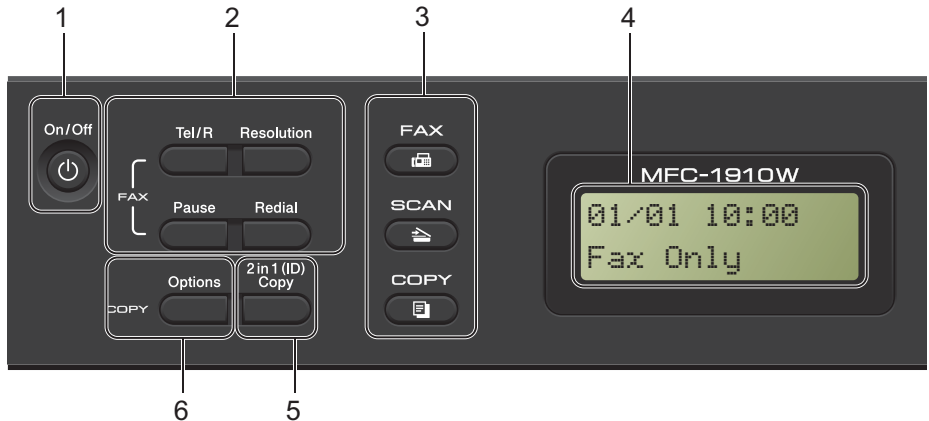
desktop to access our FREE website designed as a resource to help you easily create and print customized materials for business and home use with photos, text and creative touch.

Mac users can access Brother CreativeCenter at this web address:  
<http://www.brother.com/creativecenter>.



# Control panel overview

The illustrations of the control panel in this User's Guide show the MFC-1910W and DCP-1610W.

## MFC models



### 1 On/Off

Press  to turn the machine on. Press and hold down  to turn the machine off.

### 2 Tel/R

You can use this key to have a telephone conversation after picking up the external handset during the F/T fast double-ring. When connected to a PBX, you can use this key to gain access to an outside line, to recall an operator, or to transfer a call to another extension.

#### Redial

You can redial the last 20 numbers called.

#### Pause

Inserts a 2.8 second pause when programming speed dial numbers or when dialling a number manually.

#### Resolution

Sets the resolution when sending a fax.

### 3 Mode keys:

#### FAX

Puts the machine in FAX mode. FAX mode is the default mode.

#### SCAN

Puts the machine in SCAN mode.

#### COPY

Puts the machine in COPY mode.

### 4 LCD

Displays messages to help you set up and use your machine.

### 5 2 in 1 (ID) Copy

You can copy both sides of your Identification card onto one page with the original size.

### 6 Options

You can quickly and easily choose temporary settings for copying.



### 7 WiFi (MFC-1910W(E) only)

Press the **WiFi** button and launch the wireless installer on your computer. Follow the on-screen instructions to set up a wireless connection between your machine and your network.

When the WiFi light is on, your Brother machine is connected to a wireless access point. When the WiFi light blinks, the wireless connection is down, or your machine is in the process of connecting to a wireless access point.

### 8 Menu keys:

#### Clear

Deletes entered data or lets you cancel the current setting.

#### Menu

Lets you access the Menu to program your settings in the machine.

#### OK

Lets you store your settings and confirm LCD messages on the machine.

#### Volume keys:

◀ or ▶

Press to scroll backwards or forwards through menu selections. Press to change the volume when in fax or standby mode.

▲ or ▼

Press to scroll through the menus and options.

### 📖 Address Book

Lets you access speed dial numbers directly.

### 9 Dial pad

Use these keys to dial telephone and fax numbers and as a keyboard for entering information into the machine.  
(MFC-1905 only)

The **#** key temporarily switches the dialling mode from Pulse to Tone during a telephone call.

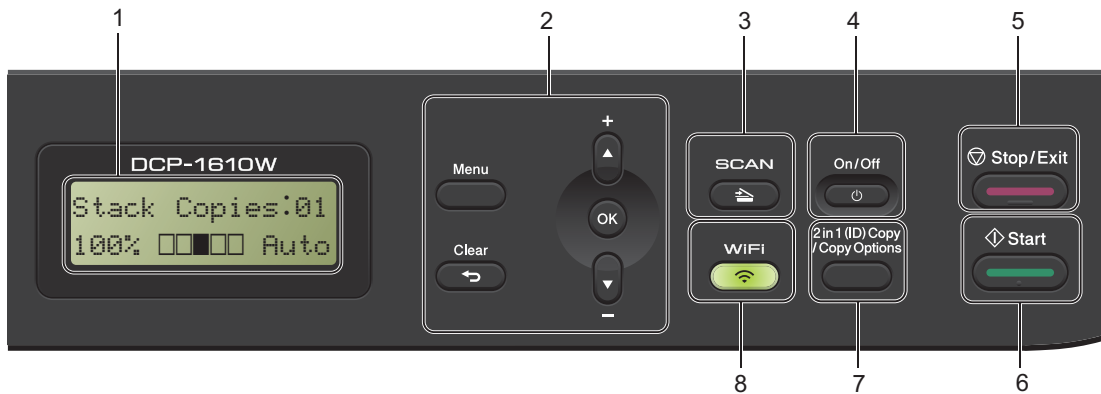
### 10 Stop/Exit

Stops an operation or exits from a menu. Press this key to cancel the print job.

### 11 Start

Lets you start sending faxes, scanning or making copies.

## DCP models

**1 LCD**

Displays messages to help you set up and use your machine.

**2 Menu keys:****Menu**

Lets you access the Menu to program your settings in the machine.

**Clear**

Deletes entered data or lets you cancel the current setting.

**OK**

Lets you store your settings and confirm LCD messages on the machine.



**▼ or ▲**

Press to scroll through the menus and options.

**3 SCAN**

Puts the machine in SCAN mode.

**4 On/Off**

Press  to turn the machine on. Press and hold down  to turn the machine off.

**5 Stop/Exit**

Stops an operation or exits from a menu. Press this key to cancel the print job.

**6 Start**

Lets you start making copies or scanning.

**7 2 in 1 (ID) Copy/Copy Options (DCP-1610W(E) and DCP-1612W)**

You can copy both sides of your Identification card onto one page with the original size.

You can quickly and easily choose temporary settings for copying.

**Copy Options (DCP-1600E and DCP-1602(E))**

You can quickly and easily choose temporary settings for copying.

**8 2 in 1 (ID) Copy (DCP-1600E and DCP-1602(E))**

You can copy both sides of your Identification card onto one page with the original size.

**WiFi(DCP-1610W(E) and DCP-1612W)**

Press the **WiFi** button and launch the wireless installer on your computer. Follow the on-screen instructions to set up a wireless connection between your machine and your network.

When the WiFi light is on, your Brother machine is connected to a wireless access point. When the WiFi light blinks, the wireless connection is down, or your machine is in the process of connecting to a wireless access point.

# Menu and features for MFC models

## On-screen programming

---

Your machine has been designed to be easy to use. The LCD provides on-screen programming using the menu keys.

### How to access the menu mode

- 1 Press **Menu**.  
(Example: MFC-1910W(E))
- 2 Choose an option.
  - Press **0** for Initial Setup menu.
  - Press **1** for General Setup menu.
  - Press **2** for Fax menu.
  - Press **3** for Copy menu.
  - Press **4** for Printer menu.
  - Press **5** for Print Reports menu.
  - Press **6** for Network menu.
  - Press **7** for Machine Info. menu.
  - Press **9** for Service menu.<sup>1</sup>

<sup>1</sup> This will appear only when the LCD shows an error message.

You can also scroll through each menu level by pressing **▲** or **▼**.

- 3 Press **OK** when the option you want appears on the LCD.  
The LCD will then show the next menu level.
- 4 Press **▲** or **▼** to scroll to your next menu selection, and then press **OK**.
- 5 Press **▲** or **▼** to display the option you want, and then press **OK**.  
When you have finished setting an option, the LCD will show *Accepted*.
- 6 Press **Stop/Exit** to exit Menu mode.

## Menu table

Using the menu table, you can change the settings in your machine by pressing the number keys or ▲ and ▼ and **OK**.

Press **Menu**, and then according to what is shown on the LCD, press the number keys or ▲ and ▼ to display different menu options. Press **OK** to select an option.

In the below example, the copy quality setting is changed from *Auto* to *Text*.

3. Copy

Level 2	Level 3	Descriptions 1	Options
1. Quality	-	You can choose the Copy resolution for your type of document.	<b>Auto*</b> Text Photo Receipt

- 1 Press **Menu**.
- 2 Press **3** to choose *Copy*.
- 3 Press **1** to choose *Quality*.
- 4 Press ▲ or ▼ to display *Text*.
- 5 Press **OK**.
- 6 Press **Stop/Exit**.



## 0.Initial Setup

### 0.Initial Setup (For MFC-1900(E) and MFC-1905)

Level 2	Level 3	Descriptions 1	Options	Descriptions 2	Page
1.Receive Mode	—	You can choose the receive mode that best suits your needs.	<b>Fax Only*</b>	Your machine automatically answers every call as a fax. <b>Fax Only</b> is displayed on the LCD when set.	59
			Fax/Tel	Your machine controls the line and automatically answers every call. If the call is not a fax, the phone will ring for you to pick up the call. <b>Fax/Tel</b> is displayed on the LCD when set.	
			External TAD (MFC-1900(E))	Your external telephone answering device (TAD) automatically answers every call. Voice messages are stored on the external TAD. Fax messages are automatically printed. <b>External TAD</b> is displayed on the LCD when set.	
			Manual	You control the phone line and must answer every call yourself. <b>Manual</b> is displayed on the LCD when set.	
The factory settings are shown in Bold with an asterisk.					

## 0.Initial Setup (For MFC-1900(E) and MFC-1905) (continued)

Level 2	Level 3	Descriptions 1	Options	Descriptions 2	Page
2.Date&Time	1.Date&Time	Puts the date and time on the LCD and in headings of faxes you send if you set up the station ID.	Year :	Enter the last two digits of the year. (e.g. Enter 1, 3 for 2013.)	
			Month :	Enter the two digits for the month. (e.g. Enter 0, 1 for January.)	
			Day :	Enter the two digits for the day. (e.g. Enter 0, 1 for 1st.)	
			Time :	Enter the time in 24-hour format. (e.g. Enter 1, 5, 2, 5 for 15:25.)	
	2.Auto Daylight	Changes for Daylight Saving Time automatically.	On*	You can set the machine to change automatically for Daylight Saving Time. It will set itself forward one hour in the Spring, and back one hour in the Autumn.	
			Off		
3.Station ID	—	Sets up your name and fax number to appear on each page you fax.	Fax :	Enter your fax number (up to 20 digits).	
			Tel :	Enter your telephone number (up to 20 digits). If your telephone number and fax number are the same, enter the same number again.	
			Name :	Enter your name (up to 20 characters).	49
4.Tone/Pulse	—	Chooses the dialling mode.	Tone*	Your machine comes set for Tone dialling service.	
			Pulse	If you have Pulse dialling service (rotary), you need to change the dialling mode.	
The factory settings are shown in Bold with an asterisk.					

**0.Initial Setup (For MFC-1900(E) and MFC-1905) (continued)**

Level 2	Level 3	Descriptions 1	Options	Descriptions 2	Page
5.Dial Tone	—	You can shorten the dial tone detect pause.	Detection	Your machine will dial as soon as it detects a dial tone.	
			<b>No Detection*</b>	When you send a fax automatically, by default your machine will wait for a fixed amount of time before it starts to dial the number.	
6.Phone Line Set	—	Chooses the phone line type.	<b>Normal*</b> PBX ISDN		69
7.Reset	1.Address & Fax	Restores all stored phone numbers and fax settings.	1.Reset		
			2.Exit	Cancel restore and exit the menu.	
	2.All Settings	Restores all the machine settings to factory default.  All Settings takes less time than Factory Reset.	1.Reset		
			2.Exit	Cancel restore and exit the menu.	
The factory settings are shown in Bold with an asterisk.					

## 0.Initial Setup (For MFC-1910W(E))

Level 2	Level 3	Descriptions 1	Options	Descriptions 2	Page
1.Date&Time	1.Date&Time	Puts the date and time on the LCD and in headings of faxes you send if you set up the station ID.	Year :	Enter the last two digits of the year. (e.g. Enter 1, 3 for 2013.)	
			Month :	Enter the two digits for the month. (e.g. Enter 0, 1 for January.)	
			Day :	Enter the two digits for the day. (e.g. Enter 0, 1 for 1st.)	
			Time :	Enter the time in 24-hour format. (e.g. Enter 1, 5, 2, 5 for 15:25.)	
	2.Auto Daylight	Changes for Daylight Saving Time automatically.	On*	You can set the machine to change automatically for Daylight Saving Time. It will set itself forward one hour in the Spring, and back one hour in the Autumn.	
			Off		
3.Time Zone	Sets the time zone for your country.	UTCXXX:XX			
2.Station ID	—	Sets up your name and fax number to appear on each page you fax.	Fax :	Enter your fax number (up to 20 digits).	
			Tel :	Enter your telephone number (up to 20 digits). If your telephone number and fax number are the same, enter the same number again.	
			Name :	Enter your name (up to 20 characters).	49
3.Tone/Pulse	—	Chooses the dialling mode.	Tone*	Your machine comes set for Tone dialling service.	
			Pulse	If you have Pulse dialling service (rotary), you need to change the dialling mode.	
The factory settings are shown in Bold with an asterisk.					

**0.Initial Setup (For MFC-1910W(E)) (continued)**

Level 2	Level 3	Descriptions 1	Options	Descriptions 2	Page
4.Dial Tone	—	You can shorten the dial tone detect pause.	Detection	Your machine will dial as soon as it detects a dial tone.	
			<b>No Detection*</b>	When you send a fax automatically, by default your machine will wait for a fixed amount of time before it starts to dial the number.	
5.Phone Line Set	—	Chooses the phone line type.	<b>Normal*</b> PBX ISDN		69
6.Reset	1.Machine Reset	Restores all the function settings to factory default.	1.Reset		
			2.Exit	Cancel restore and exit the menu.	
	2.Network	Restores all network settings to the factory default.	1.Reset		
			2.Exit	Cancel restore and exit the menu.	
	3.Address & Fax	Restores all stored phone numbers and fax settings.	1.Reset		
			2.Exit	Cancel restore and exit the menu.	
	4.All Settings	Restores all the machine settings to factory default.  All Settings takes less time than Factory Reset.	1.Reset		
			2.Exit	Cancel restore and exit the menu.	
The factory settings are shown in Bold with an asterisk.					

# 1.General Setup

## 1.General Setup (For MFC-1900(E) and MFC-1905)

Level 2	Level 3	Descriptions 1	Options	Descriptions 2	Page
1.Mode Timer	—	You can set how much time the machine takes after the last Copy or Scan operation to return to Fax mode.	0 Sec	Return to the fax mode at once.	
			30 Secs	Return to the fax mode after the time you choose.	
			1 Min		
			<b>2 Mins*</b>		
			5 Mins	The machine will stay in the mode you used last.	
Off					
2.Paper	1.Paper Type		<b>Plain*</b> Recycled Paper		53
	2.Paper Size	Sets the size of the paper in the paper tray.	<b>A4*</b> Letter Legal Folio A5 A5 L B5 Executive		53
3.Volume	1.Ring	Adjusts the ring volume.	Low <b>Med*</b> High Off		
	2.Beeper	When the beeper is on, the machine will beep when you press a key, make a mistake, or after you send or receive a fax.	Low <b>Med*</b> High Off		
	3.Speaker	Adjusts the speaker volume.	Low <b>Med*</b> High Off		
The factory settings are shown in Bold with an asterisk.					

**1.General Setup (For MFC-1900(E) and MFC-1905) (continued)**

Level 2	Level 3	Descriptions 1	Options	Descriptions 2	Page
4. Ecology	1. Toner Save	You can save toner using this feature.	On	Increases the page yield of the toner cartridge. When you set Toner Save to On, print appears lighter.	
			Off*		
5. LCD Contrast	—	Adjusts the contrast of the LCD.	-□□□■+ -□□□■+ -□□■□+* -□■□□+ -■□□□+	Press ► to make the LCD darker. Or press ◀ to make the LCD lighter.	
6. Scan Size	—	Adjusts the scan area to the size of the document.	A4* Letter		
7. Replace Toner	—	Sets the machine to continue or stop printing after the LCD shows Replace Toner.	Continue	The machine will continue printing. Replace the toner cartridge with a new one after the LCD shows Toner Ended.	51
			Stop*		
The factory settings are shown in Bold with an asterisk.					

## 1.General Setup (For MFC-1910W(E))

Level 2	Level 3	Descriptions 1	Options	Descriptions 2	Page
1.Default Mode	—	Select the default mode.	<b>Fax*</b>		
			Copy		
			Scan		
2.Mode Timer	—	You can set how much time the machine takes after the last operation to return to the default mode.	0 Sec	Return to the default mode at once.	
			30 Secs	Return to the default mode after the time you choose.	
			1 Min		
			<b>2 Mins*</b>		
			5 Mins		
		Off	The machine will stay in the mode you used last.		
3.Paper	1.Paper Type		<b>Plain*</b> Recycled Paper		53
	2.Paper Size	Sets the size of the paper in the paper tray.	<b>A4*</b> Letter Legal Folio A5 A5 L B5 Executive		53
4.Volume	1.Ring	Adjusts the ring volume.	Low <b>Med*</b> High Off		
	2.Beeper	When the beeper is on, the machine will beep when you press a key, make a mistake, or after you send or receive a fax.	Low <b>Med*</b> High Off		
	3.Speaker	Adjusts the speaker volume.	Low <b>Med*</b> High Off		
The factory settings are shown in Bold with an asterisk.					



## 1.General Setup (For MFC-1910W(E)) (continued)

Level 2	Level 3	Descriptions 1	Options	Descriptions 2	Page
5. Ecology	1. Toner Save	You can save toner using this feature.	On	Increases the page yield of the toner cartridge. When you set Toner Save to On, print appears lighter.	
			Off*		
6. LCD Contrast	—	Adjusts the contrast of the LCD.	-□□□■+ -□□□■+ -□□■□+* -□■□□+ -■□□□+	Press ► to make the LCD darker. Or press ◀ to make the LCD lighter.	
7. Scan Size	—	Adjusts the scan area to the size of the document.	<b>A4*</b> Letter		
8. Replace Toner	—	Sets the machine to continue or stop printing after the LCD shows Replace Toner.	Continue	The machine will continue printing. Replace the toner cartridge with a new one after the LCD shows Toner Ended.	51
			Stop*	The machine will stop printing. Replace the toner cartridge with a new one.	
The factory settings are shown in Bold with an asterisk.					

## 2.Fax


### 2.Fax (For MFC-1900(E) and MFC-1905)

Level 2	Level 3	Descriptions 1	Options	Descriptions 2	Page
1.Setup Receive (In FAX mode only)	1.Ring Delay	The Ring Delay setting sets the number of times the machine rings before it answers in Fax Only and Fax/Tel modes.	(00 - 08) <b>02*</b> (Example for the U.K.)	If you have external or extension telephones on the same line as the machine, choose the maximum number of rings.	60
	2.F/T Ring Time	Sets the length of the fast double-ring time in Fax/Tel mode.	<b>20 Secs</b> <b>30 Secs*</b> 40 Secs 70 Secs	If the call is a fax, then your machine will receive it; however, if it is a voice call the machine will sound the F/T ring (a fast double-ring) for the time you have set in the F/T Ring Time setting. If you hear the F/T ring it means that you have a voice caller on the line.	60
	3.Fax Detect <sup>1</sup>	Receives fax messages without pressing <b>Start</b> . When Fax Detect is <b>On</b> , you can receive fax messages without pressing <b>Start</b> .	<b>On*</b>  Semi (MFC-1905)  Off	The machine can receive a fax automatically, even if you answer the call.  The machine will only receive a fax call automatically if you answered it using the machine's handset.  If you are at the machine and answer a fax call first by lifting the handset of an external telephone (MFC-1900(E) only) or the machine (MFC-1905 only), press <b>Start</b> .	60
The factory settings are shown in Bold with an asterisk.					

## 2.Fax (For MFC-1900(E) and MFC-1905) (continued)

Level 2	Level 3	Descriptions 1	Options	Descriptions 2	Page
<b>1.Setup Receive</b> (In FAX mode only) (Continued)	<b>4.Auto Reduction</b>	The machine calculates the reduction ratio by using the page size of the fax and your Paper Size setting ( <b>Menu, 1, 2, 2</b> ).	<b>On*</b>	If you choose <b>On</b> , the machine automatically reduces each page of an incoming fax to fit on one page of A4, Letter, Legal, Folio, A5, A5(Long Edge), B5 or Executive size paper.	
			<b>Off</b>		
	<b>5.Memory Receive</b> <sup>2</sup>	Automatically stores any incoming faxes in its memory if it runs out of paper.  The machine will carry on receiving the current fax, with the remaining pages being stored in memory, if enough memory is available.	<b>On*</b>	Further incoming faxes will also be stored into memory until the memory is full. When the memory is full the machine will stop automatically answering calls. To print the faxes, put fresh paper in the tray and press <b>Start</b> .	
			<b>Off</b>	Further incoming faxes will not be stored in memory. The machine will then stop automatically answering calls until fresh paper is put in the paper tray. To print the last fax you received, put fresh paper in the tray and press <b>Start</b> .	
	<b>6.Print Density</b> <sup>3</sup>	You can adjust the Print Density setting to make your printed pages darker or lighter.	-□□□■+ -□□□■+ -□□■□+* -■□□□+ -■□□□+	Press ► to make darker, press ◀ to make lighter.	
	The factory settings are shown in Bold with an asterisk.				

## 2.Fax (For MFC-1900(E) and MFC-1905) (continued)

Level 2	Level 3	Descriptions 1	Options	Descriptions 2	Page	
2.Setup Send	1.Contrast	Changes the lightness or darkness of faxes you send.	<b>Auto*</b>	Auto will give the best results. It automatically chooses a suitable contrast for your document.		
			Light	If your document is too light, choose Light.		
			Dark	If your document is too dark, choose Dark.		
	2.Fax Resolution	Sets the default resolution for outgoing faxes.  The quality of an outgoing fax can be improved by changing the Fax Resolution.		<b>Standard*</b>	Suitable for most typed documents.	
				Fine	Good for small print and transmits a little slower than Standard resolution.	
				S.Fine	Good for small print or artwork and transmits slower than Fine resolution.	
				Photo	Use when the document has varying shades of grey or is a photograph. This has the slowest transmission time.	
	3.Overseas Mode	If you are having difficulty sending a fax overseas due to a bad connection, then turning on Overseas Mode may help.		On	Turn this feature on if you are having difficulties sending faxes overseas. This feature will stay on for the next fax only.	
				<b>Off*</b>	Keep this setting Off when the network connection is good and you can send an overseas fax successfully.	
	3.Address Book	1.Speed Dial	Stores up to 99 Speed Dial numbers. Press  (Address Book) twice and enter the two digit Speed Dial number.	—		

The factory settings are shown in Bold with an asterisk.

## 2.Fax (For MFC-1900(E) and MFC-1905) (continued)

Level 2	Level 3	Descriptions 1	Options	Descriptions 2	Page
4.Report Setting	1.XMIT Report	You can use the Transmission Verification Report as proof that you sent a fax. This lists the receiving party's name or fax number, the time and date of transmission, duration of transmission, number of pages sent, and whether or not the transmission was successful.	On	Prints a report after every fax you send.	
			On+Image	Prints a report after every fax you send. A portion of the fax's first page appears on the report.	
			<b>Off*</b>	Prints a report if your fax is unsuccessful due to a transmission error.	
			Off+Image	Prints a report if your fax is unsuccessful due to a transmission error. A portion of the fax's first page appears on the report.	
	2.Journal Period	Sets the interval for automatic printing of the Fax Journal.  The Fax Journal is a list of information about your last 200 incoming and outgoing faxes.	Off	If you set the interval to Off, you can still print the report manually from the Print Reports menu.	
			<b>Every 50 Faxes*</b>	The machine will print the Journal when the machine has stored 50 jobs.	
			Every 6 Hours Every 12 Hours Every 24 Hours Every 2 Days Every 7 Days	The machine prints the report at the selected time and then erases all jobs from its memory.	
5.Remote Fax Opt	1.PC Fax Receive	Sets the machine to send faxes to your PC. If you choose On, you can turn on the safety feature Backup Print.	On  <b>Off*</b>		65
	2.Print Document	If you turn on the PC-Fax Receive feature and your machine stores received faxes in memory, you can print a fax from the memory.	—		
The factory settings are shown in Bold with an asterisk.					

## 2.Fax (For MFC-1900(E) and MFC-1905) (continued)

Level 2	Level 3	Descriptions 1	Options	Descriptions 2	Page
<b>6.Remaining Jobs</b>	—	You can check which jobs are in the memory and lets you cancel scheduled jobs.	[XXX]	Please follow the prompts on the LCD.	58
<b>0.Miscellaneous</b>	<b>1.Compatibility</b>	If you are having difficulty sending or receiving a fax due to possible interference on the telephone line, adjust the equalization for compatibility to reduce the modem speed for fax operations.	<b>Normal*</b>	Sets the modem speed at 14400 bps.	
			<b>Basic (for VoIP)</b>	Cuts the modem speed to 9600 bps and turns the error correction mode (ECM) off. If you regularly experience interference on your standard telephone line try this setting.	
The factory settings are shown in Bold with an asterisk.					

- <sup>1</sup> For MFC-1900 and MFC-1905, this menu is **3.Easy Receive**.
- <sup>2</sup> For MFC-1900E only
- <sup>3</sup> For MFC-1900 and MFC-1905, this menu is **5.Print Density**.

## 2.Fax (For MFC-1910W(E))

Level 2	Level 3	Descriptions 1	Options	Descriptions 2	Page
1.Setup Receive  (In FAX mode only)	1.Receive Mode	Chooses the receive mode that best suits your needs.	<b>Fax Only*</b>	Your machine automatically answers every call as a fax. <b>Fax Only</b> is displayed on the LCD when set.	59
			Fax/Tel	Your machine controls the line and automatically answers every call. If the call is not a fax, the phone will ring for you to pick up the call. <b>Fax/Tel</b> is displayed on the LCD when set.	
			External TAD	Your external telephone answering device (TAD) automatically answers every call. Voice messages are stored on the external TAD. Fax messages are automatically printed. <b>External TAD</b> is displayed on the LCD when set.	
			Manual	You control the phone line and must answer every call yourself. <b>Manual</b> is displayed on the LCD when set.	
	2.Ring Delay	The Ring Delay setting sets the number of times the machine rings before it answers in Fax Only and Fax/Tel modes.	(00 - 08) <b>02*</b> (Example for the U.K.)	If you have external or extension telephones on the same line as the machine, choose the maximum number of rings.	60
The factory settings are shown in Bold with an asterisk.					

## 2.Fax (For MFC-1910W(E)) (continued)

Level 2	Level 3	Descriptions 1	Options	Descriptions 2	Page
1.Setup Receive (In FAX mode only) (Continued)	3.F/T Ring Time	Sets the length of the fast double-ring time in Fax/Tel mode.	20 Secs 30 Secs* 40 Secs 70 Secs	If the call is a fax, then your machine will receive it; however, if it is a voice call the machine will sound the F/T ring (a fast double-ring) for the time you have set in the F/T Ring Time setting. If you hear the F/T ring it means that you have a voice caller on the line.	60
	4.Fax Detect	Receives fax messages without pressing <b>Start</b> . When Fax Detect is On, you can receive fax messages without pressing <b>Start</b> .	On*	The machine can receive a fax automatically, even if you answer the call.	60
			Off	If you are at the machine and answer a fax call first by lifting the handset of an external telephone, press <b>Start</b> and then press <b>2</b> .	
	5.Auto Reduction	The machine calculates the reduction ratio by using the page size of the fax and your Paper Size setting ( <b>Menu, 1, 3, 2</b> ).	On*	If you choose On, the machine automatically reduces each page of an incoming fax to fit on one page of A4, Letter, Legal, Folio, A5, A5 (Long Edge), B5 or Executive size paper.	
			Off		
	The factory settings are shown in Bold with an asterisk.				




## 2.Fax (For MFC-1910W(E)) (continued)

Level 2	Level 3	Descriptions 1	Options	Descriptions 2	Page
<b>1.Setup Receive</b> (In FAX mode only) (Continued)	<b>6.Memory Receive</b>	Automatically stores any incoming faxes in its memory if it runs out of paper.  The machine will carry on receiving the current fax, with the remaining pages being stored in memory, if enough memory is available.	<b>On*</b>	Further incoming faxes will also be stored into memory until the memory is full. When the memory is full the machine will stop automatically answering calls. To print the faxes, put fresh paper in the tray and press <b>Start</b> .	
			<b>Off</b>	Further incoming faxes will not be stored in memory. The machine will then stop automatically answering calls until fresh paper is put in the paper tray. To print the last fax you received, put fresh paper in the tray and press <b>Start</b> .	
	<b>7.Print Density</b>	You can adjust the Print Density setting to make your printed pages darker or lighter.	-□□□■+ -□□■□+ -□■□□+* -■□□□+	Press ► to make darker, press ◀ to make lighter.	
<b>2.Setup Send</b>	<b>1.Contrast</b>	Changes the lightness or darkness of faxes you send.	<b>Auto*</b>	Auto will give the best results. It automatically chooses a suitable contrast for your document.	
			<b>Light</b>	If your document is too light, choose Light.	
			<b>Dark</b>	If your document is too dark, choose Dark.	
The factory settings are shown in Bold with an asterisk.					

## 2.Fax (For MFC-1910W(E)) (continued)

Level 2	Level 3	Descriptions 1	Options	Descriptions 2	Page
2.Setup Send (Continued)	2.Fax Resolution	Sets the default resolution for outgoing faxes.  The quality of an outgoing fax can be improved by changing the Fax Resolution.	<b>Standard*</b>	Suitable for most typed documents.	
			Fine	Good for small print and transmits a little slower than Standard resolution.	
			S.Fine	Good for small print or artwork and transmits slower than Fine resolution.	
			Photo	Use when the document has varying shades of grey or is a photograph. This has the slowest transmission time.	
	3.Overseas Mode	If you are having difficulty sending a fax overseas due to a bad connection, then turning on Overseas Mode may help.	On	Turn this feature on if you are having difficulties sending faxes overseas. This feature will stay on for the next fax only.	
			<b>Off*</b>	Keep this setting <b>Off</b> when the network connection is good and you can send an overseas fax successfully.	
	4.Auto Redial	Set the machine to redial the last fax number after five minutes if the fax did not go through because the line was busy.	<b>On*</b>		
Off					
The factory settings are shown in Bold with an asterisk.					

## 2.Fax (For MFC-1910W(E)) (continued)

Level 2	Level 3	Descriptions 1	Options	Descriptions 2	Page
3.Anti-Junk Fax (MFC-1910W only)	1.Register	If you do not want to receive a fax/call from specific numbers, you can register the numbers up to 100 to the Anti-Junk Fax list.	—	Choose the number you want to register to the Anti-Junk Fax list by pressing ▲ and ▼ . Press <b>OK</b> and then press <b>1</b> .	
	2.Delete	You need to apply for the Caller ID service at your local telephone company. You can not choose the numbers that is not stored in the Caller ID memory.	—	Choose the number you want to delete from the Anti-Junk Fax list by pressing ▲ and ▼ . Press <b>OK</b> and then press <b>1</b> .	
	3.Print Report		—	You can print a list of registered fax/telephone numbers in the Anti-Junk Fax list.	
4.Address Book <sup>1</sup>	1.Speed Dial	Stores up to 99 Speed Dial numbers. Press  (Address Book) twice and enter the two digit Speed Dial number.	—		
5.Report Setting <sup>2</sup>	1.XMIT Report	You can use the Transmission Verification Report as proof that you sent a fax. This lists the receiving party's name or fax number, the time and date of transmission, duration of transmission, number of pages sent, and whether or not the transmission was successful.	On	Prints a report after every fax you send.	
			On+Image	Prints a report after every fax you send. A portion of the fax's first page appears on the report.	
			<b>Off*</b>	Prints a report if your fax is unsuccessful due to a transmission error.	
			Off+Image	Prints a report if your fax is unsuccessful due to a transmission error. A portion of the fax's first page appears on the report.	
			No Report		
The factory settings are shown in Bold with an asterisk.					

## 2.Fax (For MFC-1910W(E)) (continued)

Level 2	Level 3	Descriptions 1	Options	Descriptions 2	Page
5.Report Setting <sup>2</sup> (Continued)	2.Journal Period	Sets the interval for automatic printing of the Fax Journal.  The Fax Journal is a list of information about your last 200 incoming and outgoing faxes.	Off	If you set the interval to Off, you can still print the report manually from the Print Reports menu.	
			<b>Every 50 Faxes*</b>	The machine will print the Journal when the machine has stored 50 jobs.	
			Every 6 Hours Every 12 Hours Every 24 Hours Every 2 Days Every 7 Days	The machine prints the report at the selected time and then erases all jobs from its memory.	
6.Remote Fax Opt <sup>3</sup>	1.PC Fax Receive	Sets the machine to send faxes to your PC. If you choose On, you can turn on the safety feature Backup Print.	On		65
			<b>Off*</b>		
	2.Print Document	If you turn on the PC-Fax Receive feature and your machine stores received faxes in memory, you can print a fax from the memory.	—		
7.Remaining Jobs <sup>4</sup>	—	You can check which jobs are in the memory and lets you cancel scheduled jobs.	[XXX]	Please follow the prompts on the LCD.	58
0.Miscellaneous	1.Compatibility	If you are having difficulty sending or receiving a fax due to possible interference on the telephone line, adjust the equalization for compatibility to reduce the modem speed for fax operations.	<b>Normal*</b>	Sets the modem speed at 14400 bps.	
			Basic (for VoIP)	Cuts the modem speed to 9600 bps and turns the error correction mode (ECM) off. If you regularly experience interference on your standard telephone line try this setting.	
The factory settings are shown in Bold with an asterisk.					

**2.Fax (For MFC-1910W(E)) (continued)**

Level 2	Level 3	Descriptions 1	Options	Descriptions 2	Page
0.Miscellaneous (Continued)	2.BT Call Sign (U.K. only)	Used with BT Call Sign.	On <b>Off*</b>		
	2.Caller ID (Except U.K. and Central Eastern Europe)	View or print a list of the last 30 Caller IDs stored in the memory.	<b>On*</b> Off	If you have Caller ID on your line, then this function should be set to <b>On</b> to display the caller's phone number on the LCD as the telephone rings.	63
	3.Caller ID (U.K. only)		Display ID		
			Print Report	Prints the last thirty calls in the Caller ID list.	
The factory settings are shown in Bold with an asterisk.					

- <sup>1</sup> For MFC-1910WE, this menu is 3.Address Book.  
<sup>2</sup> For MFC-1910WE, this menu is 4.Report Setting.  
<sup>3</sup> For MFC-1910WE, this menu is 5.Remote Fax Opt.  
<sup>4</sup> For MFC-1910WE, this menu is 6.Remaining Jobs.

## 3.Copy

### 3.Copy

Level 2	Level 3	Descriptions 1	Options	Descriptions 2	Page
1.Quality	—	You can choose the Copy resolution for your type of document.	<b>Auto*</b>	Auto is the recommended mode for ordinary printouts. Suitable for documents that contain both text and photographs.	
			Text	Suitable for documents containing mainly text.	
			Photo	Better copy quality for photographs.	
			Receipt	Suitable for copying receipts.	
2.Brightness	—	Adjusts the copy brightness for copies.	-□□□■+ -□□■□+ -□■□□+* -□■□□+ -■□□□+	Press ► to increase the brightness or press ◀ to decrease the brightness.	
3.Contrast	—	Adjust the contrast to help an image look sharper and more vivid.	-□□□■+ -□□■□+ -□■□□+* -□■□□+ -■□□□+	Press ► to increase the contrast or press ◀ to decrease the contrast.	
4.ID Copy	1.Quality	You can change the default settings for ID Copy.	<b>Auto*</b>	Auto is the standard mode for ordinary printouts. If you want to make it clearer, choose Lighter.	
	2.Brightness		Lighter		
			-□□□■+ -□□■□+* -□■□□+ -□■□□+ -■□□□+	Press ► to increase the brightness or press ◀ to decrease the brightness.	

The factory settings are shown in Bold with an asterisk.

### 3.Copy (continued)

Level 2	Level 3	Descriptions 1	Options	Descriptions 2	Page
4.ID Copy (Continued)	3.Contrast		-□□□□■+ -□□□■□+ -□□■□□+* -□■□□□+ -■□□□□+	Press ► to increase the contrast or press ◀ to decrease the contrast.	
	4.2in1/1in1		<b>2in1*</b>	Allows you to use the <b>2 in 1 (ID) Copy</b> key as a double-sided copy.	75
			1in1	Allows you to use the <b>2 in 1 (ID) Copy</b> key as a one-sided copy.	76

The factory settings are shown in Bold with an asterisk.

## 4.Printer

### 4.Printer

Level 2	Level 3	Descriptions 1	Options	Descriptions 2	Page
1.Print Options	1.Test Print	Prints a test page.	—		
2.Auto Continue	—	If this setting is enabled, the machine will automatically clear a paper size error, and will use the paper loaded in the paper tray.	<b>On*</b>		
			Off	Size mismatch is displayed on the LCD and printing does not occur.	
3.Reset Printer	—	Restores the printer settings to the original factory default settings.	1.Reset		
			2.Exit		

The factory settings are shown in Bold with an asterisk.

## 5. Print Reports

### 5. Print Reports (For MFC-1900(E) and MFC-1905)

Level 2	Level 3	Descriptions 1	Options	Descriptions 2	Page
<b>1.XMIT Verify</b> <sup>1</sup>	<b>1.View on LCD</b>	You can use the Transmission Verification Report as proof that you sent a fax. This report lists the receiving party's name or fax number, the time and date of transmission, duration of transmission, number of pages sent, and whether or not the transmission was successful.	—	You can view the Transmission Verification Report for your last 200 outgoing faxes.	
	<b>2.Print Report</b>		—	Print the last report.	
<b>2.Address Book</b>	<b>1.Numeric</b>	Lists names and numbers stored in the Speed Dial memory.	—	Print in numerical order.	
	<b>2.Alphabetic</b>		—	Print in alphabetical order.	
<b>3.Fax Journal</b>	—	Prints a list of information about your last 200 incoming and outgoing faxes.  (TX: transmit) (RX: receive)	—		
<b>4.User Settings</b>	—	Lists your settings.	—		
The factory settings are shown in Bold with an asterisk.					

<sup>1</sup> For MFC-1900 and MFC-1905, this menu is 1.Transmission.



## 5.Print Reports (For MFC-1910W(E))

Level 2	Level 3	Descriptions 1	Options	Descriptions 2	Page
1.XMIT Verify	1.View on LCD	You can use the Transmission Verification Report as proof that you sent a fax. This report lists the receiving party's name or fax number, the time and date of transmission, duration of transmission, number of pages sent, and whether or not the transmission was successful.	—	You can view the Transmission Verification Report for your last 200 outgoing faxes.	
	2.Print Report		—	Print the last report.	
2.Address Book	1.Numeric	Lists names and numbers stored in the Speed Dial memory.	—	Print in numerical order.	
	2.Alphabetic		—	Print in alphabetical order.	
3.Fax Journal	—	Prints a list of information about your last 200 incoming and outgoing faxes. (TX: transmit) (RX: receive)	—		
4.Print Settings	—	Print a list of your settings for printing.	—		
5.User Settings	—	Lists your settings.	—		
6.Network Config	—	Print a list of your Network settings.			
7.WLAN Report	—	Prints the result of wireless LAN connectivity diagnosis.			
The factory settings are shown in Bold with an asterisk.					

## 6.Network (For MFC-1910W(E) only)

### 6.Network

Level 2	Level 3	Descriptions 1	Level 4	Descriptions 2	Page
1.WLAN	1.TCP/IP	—	1.Boot Method	<b>Auto*</b> Static RARP BOOTP DHCP Chooses the BOOT method that best suits your needs.	
			2.IP Address	Enter the IP address.	
			3.Subnet Mask	Enter the Subnet mask.	
			4.Gateway	Enter the Gateway address.	
			5.Node Name	Enter the Node name. (Up to 32 characters)	
			6.WINS Config	<b>Auto*</b> Static Chooses the WINS configuration mode.	
			7.WINS Server	Specifies the IP address of the primary or secondary WINS server.  Primary [000-255].[000-255].[000-255].[000-255]  Secondary [000-255].[000-255].[000-255].[000-255]	
The factory settings are shown in Bold with an asterisk.					

## 6.Network (continued)

Level 2	Level 3	Descriptions 1	Level 4	Descriptions 2	Page
1.WLAN (Continued)	1.TCP/IP (Continued)	—	8.DNS Server	Specifies the IP address of the primary or secondary DSN server.  Primary [000-255].[000-255].[000-255].[000-255]  Secondary [000-255].[000-255].[000-255].[000-255]	
			9.APIPA	<b>On*</b> Off  Automatically allocates the IP address from the link-local address range.	
			0.IPv6	On  <b>Off*</b>  Enable or Disable the IPv6 protocol. If you want to use the IPv6 protocol, visit <a href="http://support.brother.com">http://support.brother.com</a> for more information.	
	2.WLAN Assistant	Chooses the Ethernet link mode.	—		
	3.Setup Wizard	You can configure your internal print server.	—		
4.WPS/AOSS	You can easily configure your wireless network settings using the one-button push method.	—			
5.WPS w/PIN Code	You can easily configure your wireless network settings using WPS with a PIN code.	—			
The factory settings are shown in Bold with an asterisk.					

## 6.Network (continued)

Level 2	Level 3	Descriptions 1	Level 4	Descriptions 2	Page
1.WLAN (Continued)	6.WLAN Status	—	1.Status	You can see the current wireless network status.	
			2.Signal	You can see the current wireless network signal strength.	
			3.SSID	You can see the current SSID.	
			4.Comm. Mode	You can see the current Communication Mode.	
	7.MAC Address	Shows the MAC address of the machine.			
2.Network Reset	8.Set to Default	Restore the wireless network setting to factory default.	1.Reset 2.Exit		
	9.WLAN Enable	Enable or Disable the Wireless LAN manually.	On <b>Off*</b>		
	—	Restore all network settings back to the factory settings.	1.Reset 2.Exit		
The factory settings are shown in Bold with an asterisk.					

## 7.Machine Info. <sup>1</sup>

### 7.Machine Info. <sup>1</sup>

Level 2	Level 3	Descriptions 1	Options	Descriptions 2	Page
1.Serial No.	—	You can check the serial number of your machine.	—		
2.Version	1.Main Version	You can check the firmware version of your machine.	—		
3.Page Counter	—	You can check the number of pages the machine has printed during its life.	Total	Displays the total page count.	
			Fax/List	Displays the page counter for faxes and lists.	
			Copy	Displays the page counter for copies.	
			Print	Displays the page counter for printed pages.	
4.Parts Life	1.Toner	You can check the percentage of Toner life that remains.	—		
	2.Drum	You can check the percentage of Drum life that remains.	—		
5.Reset Drum	—	You can reset the drum counter when you replace the drum unit with a new one.	1.Reset		85
			2.Exit		
The factory settings are shown in Bold with an asterisk.					

<sup>1</sup> For MFC-1900(E) and MFC-1905, this menu is 6.Machine Info..

# Menu and features for DCP models

## On-screen programming

---

Your machine has been designed to be easy to use. The LCD provides on-screen programming using the menu keys.

### How to access the menu mode

- 1 Press **Menu**.
- 2 Scroll through each menu level by pressing **▲** or **▼**.
- 3 Press **OK** when the option you want appears on the LCD.  
The LCD will then show the next menu level.
- 4 Press **▲** or **▼** to scroll to your next menu selection, and then press **OK**.
- 5 Press **▲** or **▼** to display the option you want, and then press **OK**.  
When you have finished setting an option, the LCD will show *Accepted*.
- 6 Press **Stop/Exit** to exit Menu mode.

## Menu table

Using the menu table, you can change the settings in your machine by pressing ▲ and ▼ and **OK**.

Press **Menu**, and then according to what is shown on the LCD, press ▲ and ▼ to display different menu options. Press **OK** to select an option.

In the below example, the paper type setting is changed from Plain to Recycled Paper.


### 1.General Setup

Level 2	Level 3	Descriptions 1	Options
1.Paper	1.Paper Type		Plain* Recycled Paper

- 1 Press **Menu**.
- 2 Press ▲ or ▼ to choose 1.General Setup.  
Press **OK**.
- 3 Press ▲ or ▼ to choose 1.Paper.  
Press **OK**.
- 4 Press ▲ or ▼ to choose 1.Paper Type.  
Press **OK**.
- 5 Press ▲ or ▼ to choose Recycled Paper.  
Press **OK**.
- 6 Press **Stop/Exit**.

# 1.General Setup

## 1.General Setup

Level 2	Level 3	Descriptions 1	Options	Descriptions 2	Page
1.Paper	1.Paper Type		Plain* Recycled Paper		53
	2.Paper Size	Sets the size of the paper in the paper tray.	A4* Letter Legal Folio A5 A5 L B5 Executive		53
2.Ecology	1.Toner Save	You can save toner using this feature.	On  Off*	Increases the page yield of the toner cartridge. When you set Toner Save to On, print appears lighter.	
	2.Auto Power Off	If the machine remains in Deep Sleep mode for the time set in the Auto Power Off settings, it will automatically go into Power Off mode.  To disable the Power Off mode, press and hold  .	Off <b>1 hour*</b> 2 hours 4 hours 8 hours		51
3.LCD Contrast	—	Adjusts the contrast of the LCD.	-□□□■+ -□□□■+ -□□■□+* -□■□□+ -■□□□+	Press ▲ to make the LCD darker, or press ▼ to make the LCD lighter.	
The factory settings are shown in Bold with an asterisk.					



## 1.General Setup (continued)

Level 2	Level 3	Descriptions 1	Options	Descriptions 2	Page
4.Replace Toner	—	Sets the machine to continue or stop printing after the LCD shows Replace Toner.	Continue	The machine will continue printing. Replace the toner cartridge with a new one after the LCD shows Toner Ended.	51
			Stop*	The machine will stop printing. Replace the toner cartridge with a new one.	
5.Reset	1.Machine Reset <sup>1</sup>	Restores all the function settings to factory default.	▲ Reset		
			▼ Exit	Cancel restore and exit the menu.	
	2.Network <sup>1</sup>	Restores all network settings to the factory default.	▲ Reset		
			▼ Exit	Cancel restore and exit the menu.	
	3.All Settings <sup>2</sup>	Restores all the machine settings to factory default.  Restores all the function settings to factory default.	▲ Reset		
			▼ Exit	Cancel restore and exit the menu.	
0.Local Language	—	Allows you to change the LCD language for your country.	(Choose your language.)		
The factory settings are shown in Bold with an asterisk.					

<sup>1</sup> For DCP-1610W(E) and DCP-1612W only

<sup>2</sup> For DCP-1600E and DCP-1602(E), this menu is 1.All Settings.

## 2.Copy

### 2.Copy

Level 2	Level 3	Descriptions 1	Options	Descriptions 2	Page
1.Quality	—	You can choose the Copy resolution for your type of document.	<b>Auto*</b>	Auto is the recommended mode for ordinary printouts. Suitable for documents that contain both text and photographs.	
			Text	Suitable for documents containing mainly text.	
			Photo	Better copy quality for photographs.	
			Receipt	Suitable for copying receipts.	
2.Brightness	—	Adjusts the copy brightness for copies.	-□□□■+ -□□■□+ -□■□□+* -□■□□+ -■□□□+	Press ▲ to increase the brightness or press ▼ to decrease the brightness.	
3.Contrast	—	Adjust the contrast to help an image look sharper and more vivid.	-□□□■+ -□□■□+ -□■□□+* -□■□□+ -■□□□+	Press ▲ to increase the contrast or press ▼ to decrease the contrast.	
4.ID Copy	1.Quality	You can change the default settings for ID Copy.	<b>Auto*</b>	Auto is the standard mode for ordinary printouts. If you want to make it clearer, choose <b>Lighter</b> .	
			<b>Lighter</b>		
	2.Brightness		-□□□■+ -□□■□+* -□■□□+ -□■□□+ -■□□□+	Press ▲ to increase the brightness or press ▼ to decrease the brightness.	
	3.Contrast	-□□□■+ -□□■□+ -□■□□+* -□■□□+ -■□□□+	Press ▲ to increase the contrast or press ▼ to decrease the contrast.		
The factory settings are shown in Bold with an asterisk.					

## 2.Copy (continued)

Level 2	Level 3	Descriptions 1	Options	Descriptions 2	Page
4.ID Copy (Continued)	4.2in1/1in1		2in1*	Allows you to use the <b>2 in 1 (ID) Copy/Co py Options</b> <sup>1</sup> key or <b>2 in 1 (ID) Copy</b> <sup>2</sup> key as a double-sided copy.	75
			1in1	Allows you to use the <b>2 in 1 (ID) Copy/Co py Options</b> <sup>1</sup> key or <b>2 in 1 (ID) Copy</b> <sup>2</sup> key as a one-sided copy.	76
The factory settings are shown in Bold with an asterisk.					

<sup>1</sup> For DCP-1610W(E) and DCP-1612W

<sup>2</sup> For DCP-1600E and DCP-1602(E)

## 3.Printer

### 3.Printer

Level 2	Level 3	Descriptions 1	Options	Descriptions 2	Page
1.Print Options	1.Test Print	Prints a test page.	—		
2.Auto Continue	—	If this setting is enabled, the machine will automatically clear a paper size error, and will use the paper loaded in the paper tray.	On*		
			Off	Size mismatch is displayed on the LCD and printing does not occur.	
3.Reset Printer	—	Restores the printer settings to the original factory default settings.	▲ Reset		
			▼ Exit		
The factory settings are shown in Bold with an asterisk.					

## 4.Network (For DCP-1610W(E) and DCP-1612W only)

### 4.Network

Level 2	Level 3	Descriptions 1	Level 4	Descriptions 2	Page
1.WLAN	1.TCP/IP	—	1.Boot Method	<b>Auto*</b> Static RARP BOOTP DHCP Chooses the BOOT method that best suits your needs.	
			2.IP Address	Enter the IP address.	
			3.Subnet Mask	Enter the Subnet mask.	
			4.Gateway	Enter the Gateway address.	
			5.Node Name	Enter the Node name. (Up to 32 characters)	
			6.WINS Config	<b>Auto*</b> Static Chooses the WINS configuration mode.	
			7.WINS Server	Specifies the IP address of the primary or secondary WINS server.  Primary [000-255].[000-255].[000-255].[000-255]  Secondary [000-255].[000-255].[000-255].[000-255]	
The factory settings are shown in Bold with an asterisk.					

## 4.Network (continued)

Level 2	Level 3	Descriptions 1	Level 4	Descriptions 2	Page
1.WLAN (Continued)	1.TCP/IP (Continued)	—	8.DNS Server	Specifies the IP address of the primary or secondary DSN server.  Primary [000-255].[000-255].[000-255].[000-255]  Secondary [000-255].[000-255].[000-255].[000-255]	
			9.APIPA	<b>On*</b> Off  Automatically allocates the IP address from the link-local address range.	
			0.IPv6	On  <b>Off*</b>  Enable or Disable the IPv6 protocol. If you want to use the IPv6 protocol, visit <a href="http://support.brother.com">http://support.brother.com</a> for more information.	
	2.WLAN Assistant	Chooses the Ethernet link mode.	—		
	3.Setup Wizard	You can configure your internal print server.	—		
4.WPS/AOSS	You can easily configure your wireless network settings using the one-button push method.	—			
5.WPS w/PIN Code	You can easily configure your wireless network settings using WPS with a PIN code.	—			
The factory settings are shown in Bold with an asterisk.					

## 4.Network (continued)

Level 2	Level 3	Descriptions 1	Level 4	Descriptions 2	Page
1.WLAN (Continued)	6.WLAN Status	—	1.Status	You can see the current wireless network status.	
			2.Signal	You can see the current wireless network signal strength.	
			3.SSID	You can see the current SSID.	
			4.Comm. Mode	You can see the current Communication Mode.	
	7.MAC Address	Shows the MAC address of the machine.			
2.Network Reset	8.Set to Default	Restore the wireless network setting to factory default.	▲ Reset ▼ Exit		
	9.WLAN Enable	Enable or Disable the Wireless LAN manually.	On <b>Off*</b>		
2.Network Reset	—	Restore all network settings back to the factory settings.	▲ Reset ▼ Exit		
The factory settings are shown in Bold with an asterisk.					

## 5.Machine Info. <sup>1</sup>

### 5.Machine Info. <sup>1</sup>

Level 2	Level 3	Descriptions 1	Options	Descriptions 2	Page
1.Serial No.	—	You can check the serial number of your machine.	—		
2.Version	1.Main Version	You can check the firmware version of your machine.	—		
3.Page Counter	—	You can check the number of pages the machine has printed during its life.	Total	Displays the total page count.	
			List	Displays the page counter for lists.	
			Copy	Displays the page counter for copies.	
			Print	Displays the page counter for printed pages.	
4.Parts Life <sup>2</sup>	1.Toner	You can check the percentage of life that remains.	—		
	2.Drum	You can check the percentage of Drum life that remains.	Remaining:xxx%		
5.Print Settings <sup>3</sup>	—	Print a list of your settings for printing.			
6.User Settings <sup>4</sup>	—	Lists your settings.	—		
7.Network Config <sup>3</sup>	—	Print a list of your Network settings.	—		
8.WLAN Report <sup>3</sup>	—	Prints the result of wireless LAN connectivity diagnosis.			
9.Reset Drum <sup>5</sup>	—	You can reset the drum counter when you replace the drum unit with a new one.	▲ Reset		85
			▼ Exit		
The factory settings are shown in Bold with an asterisk.					

<sup>1</sup> For DCP-1600E and DCP-1602(E), this menu is 4.Machine Info..

<sup>2</sup> For DCP-1600E and DCP-1602(E), this menu is 5.Parts Life.

<sup>3</sup> For DCP-1610W(E) and DCP-1612W only

<sup>4</sup> For DCP-1600E and DCP-1602(E), this menu is 4.User Settings.

<sup>5</sup> For DCP-1600E and DCP-1602(E), this menu is 6.Reset Drum.

# Entering text

## MFC models

When setting certain menu selections, such as the Station ID and the name of a Speed Dial, you will need to type text characters. The dial pad keys have letters printed on them. The keys: **0**, **#** and **\*** do *not* have printed letters because they are used for special characters.

Press the appropriate dial pad key the number of times shown in this reference table to access the character you want.

Press number Key on dial pad	once	twice	three times	four times	five times	six times	seven times	eight times	nine times
1	@	.	/	1	@	.	/	1	@
2	a	b	c	A	B	C	2	a	b
3	d	e	f	D	E	F	3	d	e
4	g	h	i	G	H	I	4	g	h
5	j	k	l	J	K	L	5	j	k
6	m	n	o	M	N	O	6	m	n
7	p	q	r	s	P	Q	R	S	7
8	t	u	v	T	U	V	8	t	u
9	w	x	y	z	W	X	Y	Z	9

For options that do not allow lower case characters, use the following table.

Press number Key on dial pad	once	twice	three times	four times	five times
2	A	B	C	2	A
3	D	E	F	3	D
4	G	H	I	4	G
5	J	K	L	5	J
6	M	N	O	6	M
7	P	Q	R	7	P
8	T	U	V	8	T
9	W	X	Y	9	W

### Inserting spaces

To enter a space in a fax number, press ► once between numbers. To enter a space in a name, press ► twice between characters.



## Making corrections

If you entered a character incorrectly and want to change it, press ◀ or ▶ to move the cursor to the incorrect character, and then press **Clear**.

## Repeating letters

To enter a letter on the same key as the previous letter, press ▶ to move the cursor right before pressing the key again.

## Special characters and symbols

Press \*, # or 0, then press ◀ or ▶ to move the cursor to the symbol or character you want. Press **OK** to choose it. The symbols and characters below will appear depending on your menu selection.

Press *	for	(space) ! " # \$ % & ' ( ) * + , - . / €
Press #	for	: ; < = > ? @ [ ] ^ _
Press 0	for	Ä Ë Ö Ü À Ç È É 0

## DCP models

---

When setting certain options, such as the Network Key, you must enter characters on the machine.


- Hold down or repeatedly press ▲ or ▼ to select a character from this list:  
0123456789abcdefghijklmnopqrstuvwxyzABCDEFGHIJKLMNOPQRSTUVWXYZ(space)!"#\$%&'()\*+,-./:;<=>?@[ ]^\_
- Press **OK** when the character or symbol you want is displayed, and then enter the next character.
- Press **Clear** to delete characters entered incorrectly.

## Ecology features

### Deep Sleep mode

If the machine does not receive any jobs for a certain length of time, the machine will go into Deep Sleep mode automatically and the LCD will show `Deep Sleep`. The machine will wake up when it receives a print job or a fax (MFC models only).

### Auto Power Off (DCP models only)

If the machine remains in Deep Sleep mode for the time set in the Auto Power Off settings, it will automatically go into Power Off mode. Power Off mode is the lowest power consumption mode, which achieves a power consumption of approximately 0.5 W. To disable the Power Off mode, press .

- 1 Press **Menu** and then press **▲** or **▼** to choose `1.General Setup`. Press **OK**.
- 2 Press **▲** or **▼** to choose `2.Ecology`. Press **OK**.
- 3 Press **▲** or **▼** to choose `2.Auto Power Off`. Press **OK**.
- 4 Press **▲** or **▼** to choose how many hours before the machine goes into Power Off mode. Choose `1 hour`, `2 hours`, `4 hours`, `8 hours` or `Off`. Press **OK**.
- 5 Press **Stop/Exit**.

## Toner Settings

### Toner Setting (Continue mode)

You can set the machine to continue printing after the LCD shows `Replace Toner`. The machine will continue printing until the LCD shows `Toner Ended`.

- 1 (For MFC models)  
Press **Menu**, **1**, **8** and go to step 3.  
  
(For DCP models)  
Press **Menu** and then press **▲** or **▼** to choose `1.General Setup`. Press **OK**.
- 2 Press **▲** or **▼** to choose `4.Replace Toner`. Press **OK**.
- 3 Press **▲** or **▼** to choose `Continue` or `Stop`. Press **OK**.
- 4 Press **Stop/Exit**.

### NOTE

- If you continue printing in the Continue mode, the print may appear lighter.
- After replacing the toner cartridge with a new one, the Continue mode will go back to the default setting (`Stop`).

## Receiving faxes in Continue Mode (MFC models only)

---

The machine can store received faxes in the memory if you choose Continue mode when the LCD shows `Replace Toner`. When received faxes are printed in Continue mode the LCD will ask if the print quality of the fax is OK. If the quality is not good, choose `2.No`. The machine will keep the faxes stored in the memory so you can reprint them after you replace the toner cartridge with a new one. If the print quality is good, choose `1.Yes`. The LCD will ask if you want to delete the printed faxes from the memory. If you choose not to delete them, you will be asked again after you replace the toner cartridge with a new one.

### NOTE

---

If you turn off the machine, faxes stored in the memory will be lost.

---

## Paper settings

### Paper Type

---

- 1 (For MFC-1900(E) and MFC-1905)  
Press **Menu**, **1**, **2**, **1** and go to step 4.  
(For MFC-1910W(E))  
Press **Menu**, **1**, **3**, **1** and go to step 4.

(For DCP models)  
Press **Menu** and then press **▲** or **▼** to  
choose 1.General Setup.  
Press **OK**.

- 2 Press **▲** or **▼** to choose 1.Paper.  
Press **OK**.
- 3 Press **▲** or **▼** to choose 1.Paper Type.  
Press **OK**.
- 4 Press **▲** or **▼** to choose Plain or  
Recycled Paper.  
Press **OK**.
- 5 Press **Stop/Exit**.

### Paper Size

---

- 1 (For MFC-1900(E) and MFC-1905)  
Press **Menu**, **1**, **2**, **2** and go to step 4.  
(For MFC-1910W(E))  
Press **Menu**, **1**, **3**, **2** and go to step 4.

(For DCP models)  
Press **Menu** and then press **▲** or **▼** to  
choose 1.General Setup.  
Press **OK**.

- 2 Press **▲** or **▼** to choose 1.Paper.  
Press **OK**.
- 3 Press **▲** or **▼** to choose 2.Paper Size.  
Press **OK**.

- 4 Press **▲** or **▼** to choose A4, Letter,  
Legal, Folio, A5, A5 L, B5 or  
Executive.  
Press **OK**.

- 5 Press **Stop/Exit**.

## Acceptable paper

Print quality may vary according to the type of paper you are using.

## Recommended paper and print media

To get the best print quality, we suggest using the following paper.

Paper Type	Item
Plain paper	Xerox Premier TCF 80 g/m <sup>2</sup>
	Xerox Business 80 g/m <sup>2</sup>
Recycled Paper	Steinbeis Evolution White 80 g/m <sup>2</sup>

## Paper capacity of the paper tray

<b>Paper size</b>	A4, Letter, Legal, Folio, A5, A5(Long Edge), B5, Executive
<b>Paper types</b>	Plain paper, Recycled paper
<b>No. of sheets</b>	up to 150 (80 g/m <sup>2</sup> )
<b>Paper weight</b>	65 - 105 g/m <sup>2</sup>

Some important guidelines when selecting paper are:

- DO NOT use inkjet paper because it may cause a paper jam or damage your machine.
- Preprinted paper must use ink that can withstand the temperature of the machine's fusing process 200 °C.

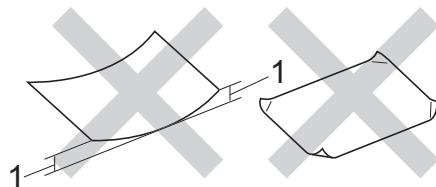
## Types of paper to avoid

### IMPORTANT

Some types of paper may not perform well or may cause damage to your machine.

DO NOT use paper:

- that is highly textured
- that is extremely smooth or shiny
- that is curled or warped



**1 A curl of 2 mm or greater may cause jams to occur.**

- that is coated or has a chemical finish
- that is damaged, creased or folded
- that exceeds the recommended weight specification in this guide
- with tabs and staples
- with letterheads using low temperature dyes or thermography
- that is multipart or carbonless
- that is designed for inkjet printing

If you use any of the types of paper listed above, they may damage your machine. This damage is not covered under any Brother warranty or service agreement.

# 3

## Loading documents

### How to load documents

You can send a fax (MFC models only), make copies, and scan from the ADF (Automatic Document Feeder) and the scanner glass.

### Using the automatic document feeder (ADF) (ADF models only)

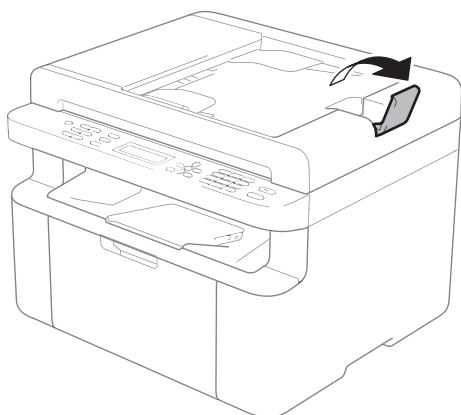
The ADF can hold up to 10 pages and feeds each sheet individually. We recommend you use standard 80 g/m<sup>2</sup> paper and always fan the pages before putting them in the ADF.

#### Document Sizes Supported

Size:	A4, Letter, Legal, Folio
-------	--------------------------

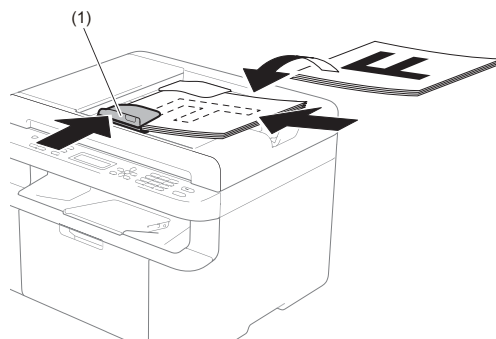
#### How to load documents

- 1 Lift up and unfold the ADF document output support flap.



- 2 Load your document *face down, top edge first* in the ADF until the LCD message changes.

- 3 Adjust the paper guides (1) to fit the width of your document.



### Using the scanner glass

You can use the scanner glass to fax (MFC models only), copy or scan pages of a book, one page at a time.

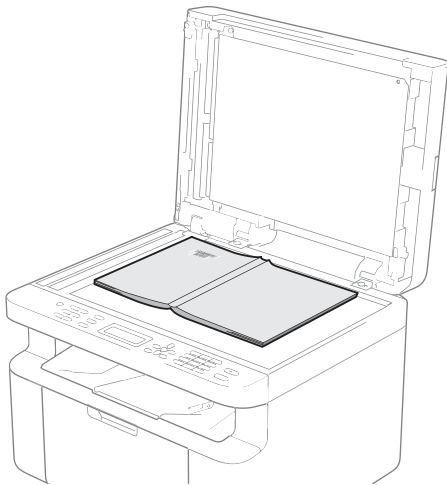
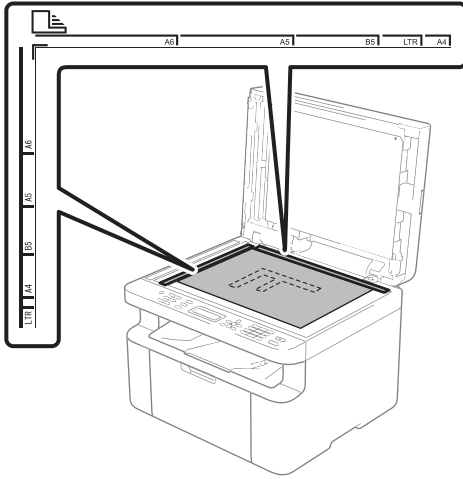
#### Document Sizes Supported

Length:	Up to 300.0 mm
Width:	Up to 215.9 mm
Weight:	Up to 2.0 kg

#### How to load documents

- 1 Lift the document cover.

- Using the document guidelines on the left and top, place the document *face down* in the upper left corner of the scanner glass.



- Close the document cover.

**NOTE**

If the document is a book or is thick do not slam the cover or press on it.

# 4

## Sending a fax (MFC models)

### How to send a fax

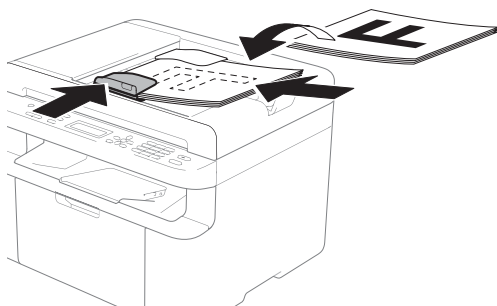
The following steps show you how to send a fax.

- 1 Press **FAX**.

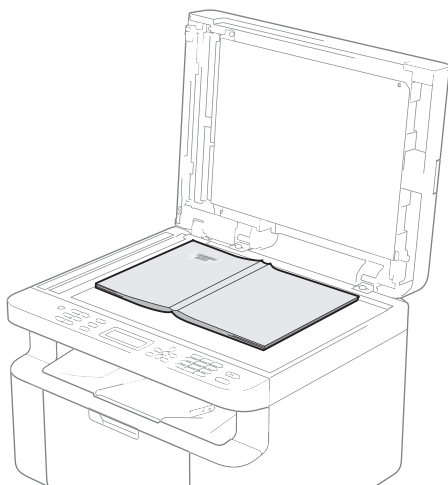


- 2 Load your document.

- If you are sending from the ADF:



- If you are sending from the scanner glass:



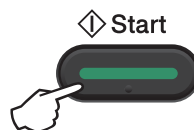
After placing the document on the scanner glass, close the document cover.

#### NOTE

- To use the scanner glass, the ADF must be empty.
- If you want to change the fax resolution, press **▼** or **Resolution** and then press **▲** or **▼** or **Resolution** to choose the fax resolution.

- 3 Enter the fax number.

- 4 Press **Start** to send a fax.



### Canceling a fax in progress

Press **Stop/Exit** to cancel the fax. If you press **Stop/Exit** while the machine is dialing or sending, the LCD will ask you to confirm.

```
Dialing #XXX  
1.Clear 2.Exit
```

```
Sending #XXX P01  
1.Clear 2.Exit
```

Press **1** to cancel the fax.



## Broadcasting

Broadcasting lets you send the same fax message to more than one fax number. You can include Speed Dial numbers and up to 20 manually dialled numbers in the same broadcast.

### Before you begin the broadcast

Speed Dial numbers must be stored in the machine's memory before they can be used in a broadcast. (See *Storing Speed Dial numbers* on page 62)

### How to broadcast a fax

- 1 Load your document.
- 2 Enter a number.  
Press **OK**.  
You can use a Speed Dial number, or a number manually entered using the dial pad. (See *How to dial* on page 63)
- 3 Repeat step 2 until you have entered all the fax numbers you want to broadcast to.
- 4 Press **Start**.

After the broadcast is finished the machine will print a broadcast report to let you know the results.

### Cancelling a Broadcast in progress

While broadcasting you can cancel the fax currently being sent or the whole broadcast job.

- 1 (For MFC-1900E, MFC-1905 and MFC-1910WE)  
Press **Menu, 2, 6**.  
(For MFC-1900 and MFC-1910W)  
Press **Menu, 2, 7**.

The LCD will display the Broadcast job number followed by the fax number or name being dialled (for example, #0010123456789). Press **▲** or **▼** to show the broadcast job number (for example, Broadcast#001).

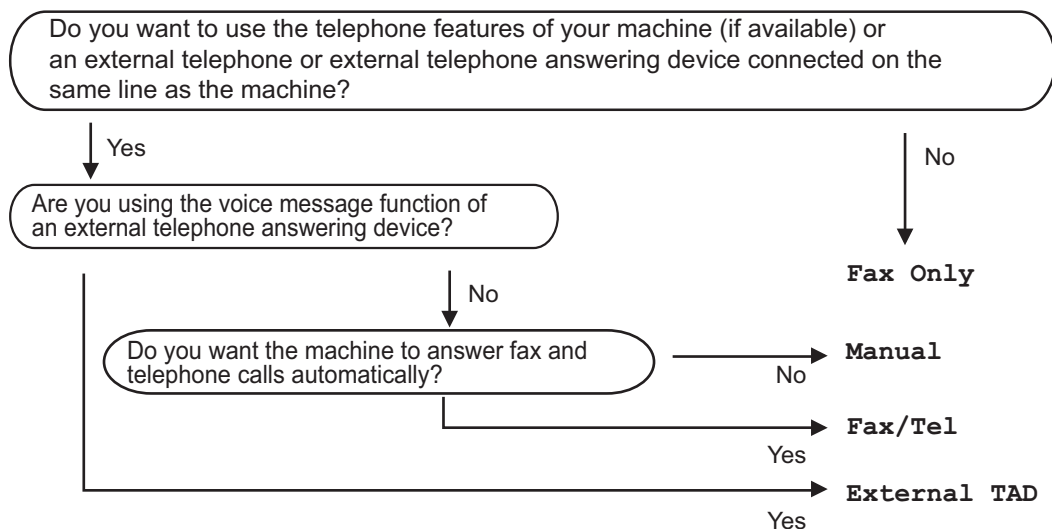
- 2 Press **▲** or **▼** to choose one of the following:
  - Choose the fax number or name being dialled, and press **OK**.
  - Choose the broadcast job number, and press **OK**.
- 3 Press **1** to cancel the fax number or Broadcast job number you chose in step 2, or press **2** to exit without cancelling.  
If you chose to only cancel the fax currently being sent in step 2, the LCD will ask you if you want to cancel the broadcast job. Press **1** to clear the whole broadcast job or **2** to exit.
- 4 Press **Stop/Exit**.

## Receive modes

You must choose a receive mode depending on the external devices and telephone services you have on your line.

### Choosing the receive mode

By default, your machine will automatically receive any faxes that are sent to it. The diagrams below will help you choose the correct mode. (For detailed information about the receive modes, see *Menu table* on page 9.)



To set the receive mode follow the instructions below:

- 1 Make sure you are in FAX mode.
- 2 (For MFC-1900(E) and MFC-1905)  
Press **Menu, 0, 1**.  
(For MFC-1910W(E))  
Press **Menu, 2, 1, 1**.
- 3 Press **▲** or **▼** to choose the receive mode.  
Press **OK**.
- 4 Press **Stop/Exit**.

The LCD will display the current receive mode.

### NOTE

(For U.K. only) If you cannot change the Receive Mode option, make sure the BT Call Sign feature is set to **Off**.

## Receive Mode settings

### Ring Delay

The Ring Delay setting sets the number of times the machine rings before it answers in Fax Only and Fax/Tel modes.

If you have external or extension telephones on the same line as the machine, choose the maximum number of rings. (See *Fax Detect* on page 60.)

- 1 Make sure you are in FAX mode.
- 2 (For MFC-1900(E) and MFC-1905)  
Press **Menu, 2, 1, 1.**  
(For MFC-1910W(E))  
Press **Menu, 2, 1, 2.**
- 3 Press **▲** or **▼** to choose how many times the line rings before the machine answers.  
Press **OK.**
- 4 Press **Stop/Exit.**

### F/T Ring Time (Fax/Tel mode only)

When somebody calls your machine, you and your caller will hear the normal telephone ring sound. The number of rings is set by the Ring Delay setting.

If the call is a fax, then your machine will receive it; however, if it is a voice call the machine will sound the F/T ring (a fast double-ring) for the time you have set in the F/T Ring Time setting. If you hear the F/T ring it means that you have a voice caller on the line.

Because the F/T ring is made by the machine, extension and external (MFC-1900(E) and MFC-1910W(E) only) telephones will *not* ring.

- 1 Make sure you are in FAX mode.
- 2 (For MFC-1900(E) and MFC-1905)  
Press **Menu, 2, 1, 2.**  
(For For MFC-1910W(E))  
Press **Menu, 2, 1, 3.**
- 3 Press **▲** or **▼** to choose how long the machine will ring to alert you that you have a voice call.  
Press **OK.**
- 4 Press **Stop/Exit.**

### Fax Detect

#### If Fax Detect is On:

The machine can receive a fax automatically, even if you answer the call. When you see *Receiving* on the LCD or hear a click on the phone line through the handset you are using, just replace the handset. Your machine will do the rest.

#### (For MFC-1905)

#### If Fax Detect is Semi:

The machine will only receive a fax call automatically if you answered it using the machine's handset.

#### If Fax Detect is Off:

If you are at the machine and answer a fax call first by lifting the external handset (MFC-1900(E) and MFC-1910W(E) only) or the machine (MFC-1905 only), press **Start** and then press **2** to receive a fax.

#### NOTE

- If you send faxes from a computer on the same telephone line and the machine intercepts them, set Fax Detect to *Off*.
- We do not recommend having a PC and a fax machine on the same line.

- 1 Make sure you are in FAX mode.
- 2 (For MFC-1900(E) and MFC-1905)  
Press **Menu, 2, 1, 3.**  
(For MFC-1910W(E))  
Press **Menu, 2, 1, 4.**
- 3 Press **▲** or **▼** to choose **On**, **Semi**  
(MFC-1905 only) or **Off**.  
Press **OK**.
- 4 Press **Stop/Exit**.

# 6


## Dialling and storing numbers (MFC models)


### Storing numbers

You can set up your machine for easy dialling by storing Speed Dials. When you dial a speed dial number, the LCD shows the name, if you stored it, or the number.

#### Storing Speed Dial numbers

You can store your frequently used numbers as Speed Dial numbers, so that when you dial you will only have to press a few keys

( **(Address Book)** twice, the two digit number and **Start**). The machine can store 99 Speed Dial numbers (01- 99).

- 1 Press  **(Address Book)** twice and enter a two digit Speed Dial location number (01-99).  
If a number is not stored there, the LCD shows *Register Now?*  
Press **1** to choose *Yes*.
- 2 Enter the telephone or fax number (up to 20 characters).  
Press **OK**.
- 3 Do one of the following:
  - Enter the name using the dial pad (up to 15 characters). For help entering characters, see *Entering text* on page 49.  
Press **OK**.
  - Press **OK** to store the number without a name.
- 4 To store another Speed Dial number, go to step 1.

### Changing or Deleting Speed Dial numbers

You can change or delete a Speed Dial number that has already been stored.

- 1 (For MFC-1900E, MFC-1905 and MFC-1910WE)  
Press **Menu, 2, 3, 1**.  
(For MFC-1900 and MFC-1910W)  
Press **Menu, 2, 4, 1**.  
Enter the Speed Dial number you want to change or delete, then press **OK**.
- 2 Do one of the following:
  - Press **1** to choose *Change* to edit the number or name.  
Go to step 3.
  - Press **2** to choose *Clear* to delete all information in a Speed Dial number.  
  
When *Erase This Data?* appears, press **1** to choose *Yes* to confirm.  
Go to step 4.
- 3 Edit the number or the name. When you are finished editing, press **OK**.
- 4 Press **Stop/Exit**.


## How to dial

You can dial in any of the following ways.

### Manual dialling

Use the dial pad to enter all the digits of the telephone or fax number.

### Speed dialling

Press  (**Address Book**) twice and enter the two digit Speed Dial number. (See *Storing Speed Dial numbers* on page 62.)




Two digit number

#### NOTE

If the LCD shows *Register Now?* when you enter a Speed Dial number, it means that a number is not stored there.

### Search

You can search alphabetically for names you have stored in the Speed Dial memories. (See *Storing Speed Dial numbers* on page 62.)

- 1 Make sure you are in FAX mode.
- 2 Press  (**Address Book**).

- 3 Press the dial pad key for the first few letters of the name. (Use the chart on *Entering text* on page 49 to help you enter letters.) Press **OK**.
- 4 Press **▲** or **▼** to scroll until you find the name you are looking for. Press **OK**.
- 5 Press **Start**.

#### NOTE

- If you do not enter a letter and press **OK** in step 3, all registered names will appear. Press **▲** or **▼** to scroll until you find the name you are looking for.
- If the LCD shows *No Contact Found* when you enter the first few letters of the name, it means that a name for the letters is not stored.

### Redial

Ensuring the line is not in use, press **Redial** to find the last 20 numbers you recently dialled. Press **Redial** or **▲** or **▼** to scroll until you find the number you want to call again. Press **OK** and then press **Start** to send a fax.

### Caller ID (MFC-1910W only)

The Caller ID feature lets you use the Caller ID subscriber service offered by many local telephone companies. This service shows the telephone number, or name if it is available, of your caller as the line rings.

#### Setting the Caller ID to On

If you have Caller ID on your line, then this function should be set to **On** to display the caller's phone number on the LCD as the telephone rings.

- 1 Press **Menu, 2, 0, 2**.<sup>1</sup>  
The screen displays the current setting.

2 Press ▲ or ▼ to choose `On` (or `Off`).  
Press **OK**.

3 Press **Stop/Exit**.

<sup>1</sup> For U.K. only, Press **Menu, 2, 0, 3**.

## Viewing the Caller ID List

Your machine stores information for the last thirty calls in the Caller ID list. You can view or print this list. When the 31st call comes in to the machine, it replaces information about the first call.

1 Press **Menu, 2, 0, 2**.<sup>1</sup>  
The screen displays the current setting.

2 Press ▲ or ▼ to choose `Display ID`.  
Press **OK**.  
The Caller ID of the last call will appear on the display.  
If no ID is stored, the beeper will sound and `No Caller ID` will appear on the display. Go to step 4.

3 Press ▲ or ▼ to scroll through the Caller ID memory to choose the Caller ID you want to view, and then press **OK**.  
The LCD will show the caller's number and the date and time of the call.

4 To finish viewing, press **Stop/Exit**.

<sup>1</sup> For U.K. only, Press **Menu, 2, 0, 3**.

## PC-FAX Receive (For Windows® only)

If you turn on the PC-Fax Receive feature your machine will store received faxes in memory and send them to your PC automatically. You can then use your PC to view and store these faxes.

Even if you have turned off your PC (at night or on the weekend, for example), your machine will receive and store your faxes in its memory. The LCD will show the number of stored faxes received, for example:

PC Fax Msg:001

When you start your PC and the PC-Fax Receiving software runs, your machine transfers your faxes to your PC automatically.

To transfer the received faxes to your PC you must have the PC-FAX Receiving software running on your PC.

Do one of the following:

(Windows® XP, Windows Vista® and Windows® 7)

Click  (**Start**) > **All Programs** >

**Brother > Brother Utilities**, and then click the drop-down list and select your model name (if not already selected). Click **PC-FAX Receive** in the left navigation bar, and then click **Receive**.

(Windows® 8)

Click  (**Brother Utilities**), and then

click the drop-down list and select your model name (if not already selected). Click **PC-FAX Receive** in the left navigation bar, and then click **Receive**.

Then, complete the following steps on your machine.

- 1 (For MFC-1900E, MFC-1905 and MFC-1910WE)  
Press **Menu**, **2**, **5**, **1**.  
  
(MFC-1900 and MFC-1910W)  
Press **Menu**, **2**, **6**, **1**.
- 2 Press **▲** or **▼** to choose **On** (or **Off**).  
Press **OK**.
- 3 The LCD shows a reminder to start the PC-FAX Receive program on your computer. If you have started the PC-FAX Receive program, press **OK**. If you have not started the PC-FAX Receive program, see Software and Network User's Guide.
- 4 Do one of the following:
  - If you want to change the current setting, press **1** and press **▲** or **▼** to choose your computer. Press **OK**.
  - If you do not want to change the current setting, press **2**.
- 5 Press **▲** or **▼** to choose **On** or **Off**.  
Press **OK**.
- 6 Press **Stop/Exit**.

### NOTE

- If you choose **Backup Print On**, the machine will also print the fax at your machine so you will have a copy. This is a safety feature in case there is a power failure before the fax is transferred to your PC.
- The faxes stored in the machine's memory will be deleted.



## NOTE

---

- Before you can set up PC-Fax Receive you must install the MFL-Pro Suite software on your PC. Make sure your PC is connected and turned on. (For more information, see *Software and Network User's Guide*.)
  - If your machine has an error and is unable to print faxes from memory, you can use this setting to transfer your faxes to a PC. (See *Transferring your faxes or Fax Journal report (MFC models)* on page 100.)
  - PC-Fax Receive is not supported in Mac OS.
-

# PC-FAX sending

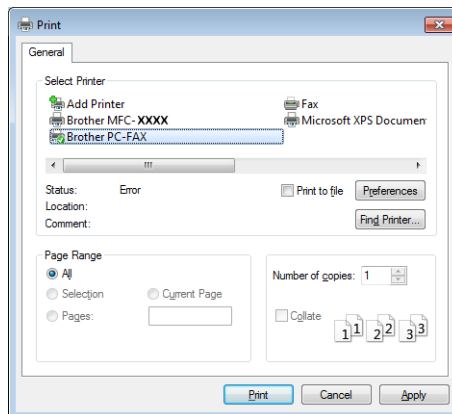
You can send a file created in any application on your PC as a standard fax.

## NOTE

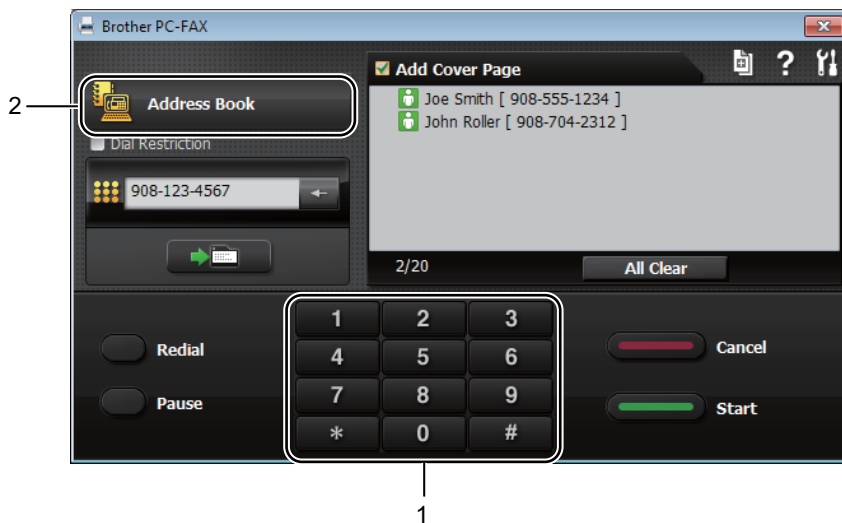
- The PC-FAX software can only send Black & White fax documents in A4 size.
- Please install MFL-Pro Suite software, connect your machine and PC before using PC-FAX sending.

## Sending a file as a PC-FAX


- 1 Create a file in any application on your PC.
- 2 Click **File**, then **Print**.  
The **Print** dialog box appears:



- 3 Choose **Brother PC-FAX** as your printer, and then click **Print**. The PC-FAX sending dialog box appears:



- 1 Dial Pad  
2 Address Book

- 4 Enter a fax number using any of the following methods:
- Use the dial pad to enter the number and then click the  button.
  - Click the **Address Book** button, and then choose a member or group from the Address Book.

If you make a mistake, click **All Clear** to delete all the entries.

- 5 To include a cover page, check the **Add Cover Page** check box.

## NOTE


You can also click the cover page  icon to create or edit a cover page.

- 6 Click **Start** to send the fax.


## NOTE

- If you want to cancel the fax, click **Cancel** or press **Stop/Exit** on the machine's control panel.
- If you want to redial a number, click **Redial** to cycle through the last five fax numbers, and then click **Start**.

## Voice operations (MFC-1905 only)

Voice calls can be made with the handset by using the dial pad or by pressing  (**Address Book**) twice and entering a two digit Speed Dial number.

### Making a telephone call

- 1 Pick up the handset.
- 2 When you hear the dial tone, enter a number using the dial pad or press  (**Address Book**) twice and enter a two digit Speed Dial number.
- 3 Replace the handset to hang up.

## Telephone line services

### Setting the telephone line type

If you are connecting the machine to a line that features a PBX or ISDN to send and receive faxes, it is necessary to change the Telephone Line Type accordingly by completing the following steps. If you are using a line that features a PBX, you can set your machine so that it always accesses the outside line (using the prefix you entered), or accesses the outside line when **Tel/R** is pressed.

- 1 (For MFC-1900(E) and MFC-1905)  
Press **Menu**, **0**, **6**.

(For MFC-1910W(E))  
Press **Menu**, **0**, **5**.

- 2 Press **▲** or **▼** to choose **PBX**, **ISDN** (or **Normal**).  
Press **OK**.
- 3 Do one of the following:
  - If you chose **ISDN** or **Normal**, go to step 7.
  - If you chose **PBX**, go to step 4.
- 4 Do one of the following:
  - If you want to change the current prefix number, press **1** and go to step 5.
  - If you do not want to change the current prefix number, press **1** and then **OK**. Go to step 6.
- 5 Enter the prefix number (up to 5 digits) on the dial pad.  
Press **OK**.

### NOTE

- You can use the numbers 0 to 9, #, \* and !.  
(Press **Tel/R** to display “!”.)
- You cannot use ! with any other numbers or characters.
- If you choose **On**, pressing **Tel/R** (the screen displays “!”.) will let you access an outside line.
- If you choose **Always**, you can access an outside line without pressing **Tel/R**.

- 6 Press **▲** or **▼** to choose **On** or **Always**.  
Press **OK**.
- 7 Press **Stop/Exit**.

## PBX and TRANSFER

The machine is initially set to `Normal`, which lets the machine connect to a standard PSTN (Public Switched Telephone Network) line. However, many offices use a central telephone system or Private Branch Exchange (PBX). Your machine can be connected to most types of PBX. The machine's recall feature supports timed break recall only (TBR). TBR will work with most PBX systems allowing you to gain access to an outside line, or transfer calls to another extension. The feature works when **Tel/R** is pressed.

## BT Call Sign (U.K. only)

The BT Call Sign subscriber service is a way to have a separate number for your machine; it allows you to have at least two separate telephone numbers on one phone line. Each phone number has its own distinctive ringing pattern.

You can set up your machine so that it only responds to the second number.

When you set the BT Call Sign feature to `ON`, the receive mode is set to `Manual` automatically. `Manual` mode will not respond to incoming telephone calls since the number you use for telephone calls will use the normal ring pattern. If you turn the feature off, your receive mode will remain on `Manual`.

### To enable the machine to work with BT Call Sign

This feature works with your external phone.

- 1 Press **Menu**, **2**, **0**, **2**.  
The screen displays the current setting.
- 2 Press **▲** or **▼** to choose `On` or `Off`.  
Press **OK**.
- 3 Press **Stop/Exit**.

## Connecting an external TAD (MFC-1900(E) and MFC-1910W(E) only)

You can connect an external Telephone Answering Device (TAD) to the same line as your machine. When the TAD answers a call, your machine will "listen" for the CNG (fax calling) tones sent by a sending fax machine. If it hears them it will take over the call and receive the fax. If it does not hear them, it will let your TAD take a voice message and the display will show `Telephone`.

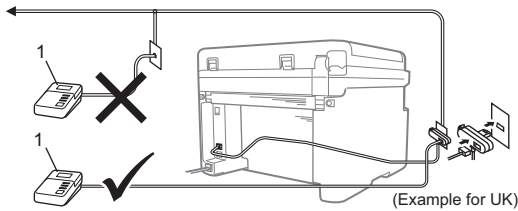
The external TAD must answer within four rings (we recommend you set it to two rings). This is because your machine cannot hear the CNG tones until the external TAD has picked up the call. The sending machine will send CNG tones for only eight to ten seconds longer. We do not recommend using the toll saver feature on your external TAD if it needs more than four rings to activate it.

### NOTE

If you have problems receiving faxes, reduce the ring delay setting on your external TAD to one or two rings.

## Connections

The external TAD must be connected as shown in the illustration below.



### 1 TAD

- 1 Set your external TAD to one or two rings. (The machine's Ring Delay setting does not apply.)
- 2 Record the outgoing message on your external TAD.
- 3 Set the TAD to answer calls.
- 4 Set the Receive Mode on your machine to *External TAD*. (See *Receive modes* on page 59.)

## Recording an outgoing message (OGM)

- 1 Record 5 seconds of silence at the beginning of your message. (This allows your machine time to listen for the fax CNG tones of automatic transmissions before they stop.)
- 2 Limit your speaking to 20 seconds. For example: "After the beep, leave a message."

## Multi-line connections (PBX)

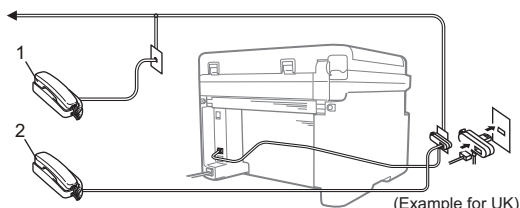
We suggest you ask the company who installed your PBX to connect your machine. If you have a multi line system we suggest you ask the installer to connect the unit to the last line on the system. This prevents the machine being activated each time the system receives telephone calls. If all incoming calls will be answered by a switchboard operator we recommend that you set the Receive Mode to *Manual*.

We cannot guarantee that your machine will operate correctly under all circumstances when connected to a PBX. Any difficulties with sending or receiving faxes should be reported first to the company who handles your PBX.

## External and extension telephones

### Connecting an external or extension telephone

You can connect a separate telephone directly to your machine as shown in the diagram below.



1 Extension telephone

2 External telephone

When you are using an external telephone, the LCD shows Telephone.

### For Fax/Tel mode only

When the machine is in Fax/Tel mode, it will use the F/T Ring Time (fast double-ringing) to alert you to pick up a voice call.

Lift the external telephone's handset (MFC-1900(E) and MFC-1910W(E) only) or the machine (MFC-1905 only), and then press **Tel/R** to answer.

### Using extension telephones (U.K. only)

Your premises may already be wired with parallel extension telephones (those connected to sockets in other rooms in the building), or perhaps you intend to add extension telephones to your line. While the simplest arrangement is a parallel connection, there are some reasons why this arrangement may cause problems.

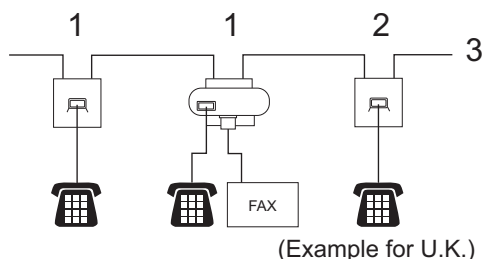
The most common problem is someone picking up an extension telephone while the machine is trying to send a fax.

Such problems can easily be eliminated, if you arrange modification of your extension wiring circuit, such that extension devices are connected “downstream” of your machine, in a master/slave configuration (see *figure 2*). In such a configuration, this machine can always detect whether a telephone is in use, so it will not attempt to seize the line during that time. This is known as “telephone off-hook detection”.

The inadvisable configuration is shown in *figure 1*, and the recommended master/slave configuration is shown in *figure 2*.

This new connection configuration can be arranged by contacting BT, Kingston upon Hull Telecommunications, your PBX maintainer or a qualified telephone installation company as appropriate. Simply explained, the extension telephone circuit should be terminated on a normal modular plug (BT 431A style), which in turn should be inserted into the modular socket of the white “T”-shaped connector provided as part of the line cord assembly.

**Figure 1: Inadvisable connection**

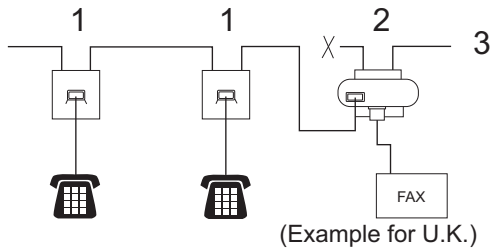


1 Extension socket

2 Master socket

3 Incoming line

**Figure 2: Recommended connection of extension sockets**



- 1 Extension socket
- 2 Master socket
- 3 Incoming line

These phones are now connected as *external devices* as shown on page 72, because they are connected to the fax machine via the T-connector.

## Using a non-Brother cordless external handset

If your non-Brother cordless telephone is connected to the telephone line cord (see *Connecting an external or extension telephone* on page 72) and you typically carry the cordless handset elsewhere, it is easier to answer calls during the Ring Delay.

If you let the machine answer first, lift the cordless handset and then go to the machine so you can press **Te/R** to transfer the call to the cordless handset.

### NOTE

Not all brands of cordless telephones are compatible for use with your machine.



# 9

## Making copies

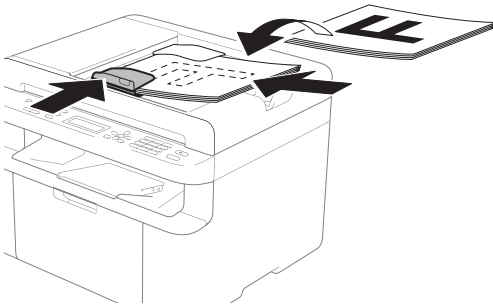
### How to copy

- 1 (For MFC models)  
Press **COPY**.

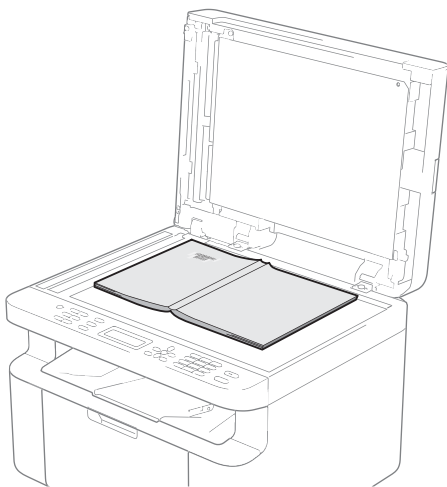


- 2 Load your document.

- If you are copying from the ADF:



- If you are copying from the scanner glass:



After placing the document on the scanner glass, close the document cover.

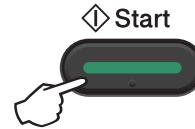
### NOTE

To use the scanner glass, the ADF must be empty.

- 3 (For MFC models)  
Use the dial pad to enter the number of copies you want (up to 99 copies).

(For DCP models)  
Press ▲ or ▼ to enter the number of copies you want.

- 4 Press **Start** to copy.

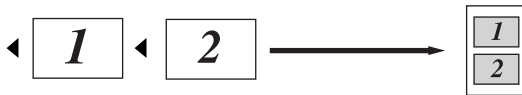


## ID Copy

You can make one-sided and double-sided copies of identification cards.

Double-sided ID copy can copy both sides of your identification card onto one page, keeping the original card size.

The result of the double-sided ID copy is shown below.



### NOTE

- You can copy an identification card to the extent permitted under applicable laws. (See Product Safety Guide.)
- For the ID Copy Settings,
  - (For MFC models) See 3.Copy on page 31.
  - (For DCP models) See 2.Copy on page 43.

## Double-sided ID copy

- (For MFC models)  
Press **Menu**, **3**, **4** and go to step 3.  
  
(For DCP models)  
Press **Menu** and then press **▲** or **▼** to choose 2.Copy.  
Press **OK**.
- Press **▲** or **▼** to choose 4.ID Copy.  
Press **OK**.
- Press **▲** or **▼** to choose 4.2in1/1in1.  
Press **OK**.  
Press **▲** or **▼** to choose 2in1 for double-sided copy as a default.  
Press **OK** and then press **Stop/Exit**.

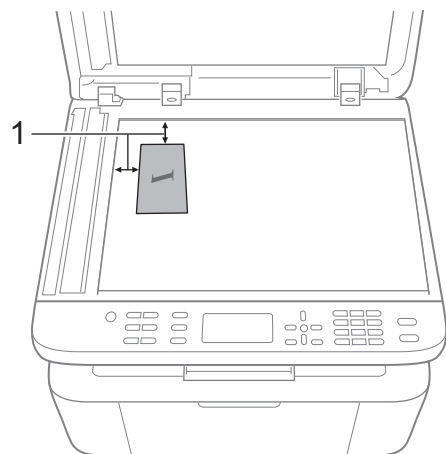
- (For MFC models)  
Press **COPY**.



- (For MFC models)  
Enter the number of copies you want.  
(For DCP models)  
Press **▲** or **▼** to enter the number of copies you want.
- (For MFC models, DCP-1600E and DCP-1602(E))  
Press **2 in 1 (ID) Copy**.

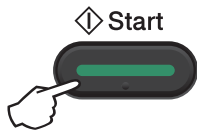
(For DCP-1610W(E) and DCP-1612W)  
Press **2 in 1 (ID) Copy/Copy Options**.  
Press **▲** or **▼** to choose *Double-sided ID*.

- Place your identification card *face down* as shown, towards the top left of the scanner glass. Make sure the identification card is at least 4 mm from the edges of the glass (1).

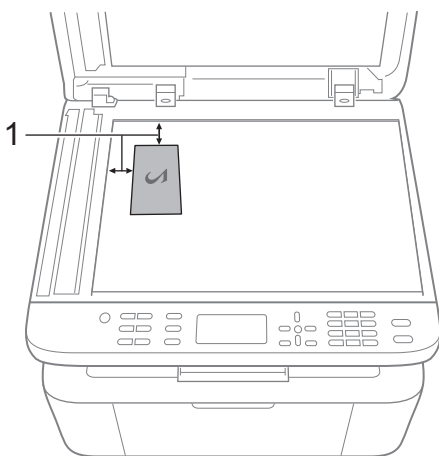


1 4 mm or greater (top, left)

- 8 Press **Start** to scan.

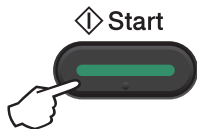


- 9 Turn over your identification card and place it at the left side of the scanner glass.



1 4 mm or greater (top, left)

- 10 Press **Start** to scan.



## One-sided ID copy

- 1 (For MFC models)  
Press **Menu**, **3**, **4** and go to step 3.

(For DCP models)  
Press **Menu** and then press **▲** or **▼** to choose **2 . Copy**.  
Press **OK**.

- 2 Press **▲** or **▼** to choose **4 . ID Copy**.  
Press **OK**.

- 3 Press **▲** or **▼** to choose **4 . 2 in1/1 in1**.  
Press **OK**.  
Press **▲** or **▼** to choose **1 in1** for one-sided copy as a default.  
Press **OK** and then press **Stop/Exit**.

- 4 (For MFC models)  
Press **COPY**.



- 5 (For MFC models)  
Enter the number of copies you want.

(For DCP models)  
Press **▲** or **▼** to enter the number of copies you want.

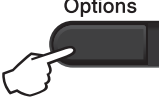
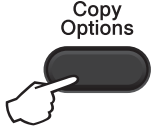
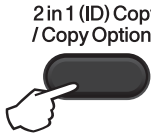
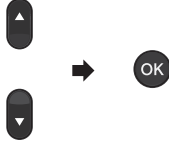
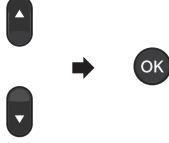
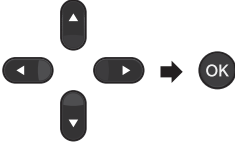

- 6 Place your identification card *face down* on the scanner glass.

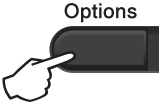
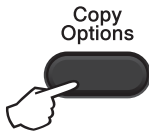
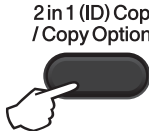



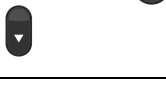
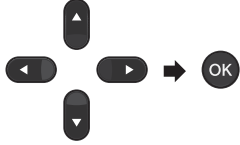


- 7 (For MFC models, DCP-1600E and DCP-1602(E))  
Press **2 in 1 (ID) Copy**.

(For DCP-1610W(E) and DCP-1612W)  
Press **2 in 1 (ID) Copy/Copy Options**.  
Press **▲** or **▼** to choose *Double-sided ID*.

## Other copies

Make sure you are in COPY mode. Use the **Options**, **Copy Options** or **2 in 1 (ID) Copy/Options** key to quickly set the following copy settings only for the next copy.

Press	Menu selections	Options
<p>(MFC- models)</p>  <p>Options</p> <p>(DCP-1600E and DCP-1602(E))</p>  <p>Copy Options</p> <p>(DCP-1610W(E) and DCP-1612W)</p>  <p>2 in 1 (ID) Copy / Copy Options</p>	<p>Press ▲ or ▼, then press OK.</p>  <p>Press ▲ or ▼ to choose Copy Options.</p> <p>Press OK.</p> <p>Press ▲ or ▼, then press OK.</p> 	<p>(MFC models only)</p> <p>Press ▲, ▼, ◀ or ▶, then press OK.</p>  <p>(DCP models only)</p> <p>Press ▲ or ▼, then press OK.</p> 
	<p>Quality</p> <p>Stack/Sort</p> <p>Brightness</p>	<p><b>Auto*</b></p> <p>Text</p> <p>Photo</p> <p>Receipt</p> <p><b>Stack*</b></p> <p>Sort</p> <p>-■□□□+</p> <p>-□■□□+</p> <p>-□□■□+*</p> <p>-□□□■+</p> <p>-□□□■+</p>
	<p>Contrast</p>	<p>-■□□□+</p> <p>-□■□□+</p> <p>-□□■□+*</p> <p>-□□□■+</p> <p>-□□□■+</p>
<p>The factory settings are shown in Bold with an asterisk.</p>		

Press	Menu selections	Options
<p>(MFC- models)</p>  <p>Options</p> <p>(DCP-1600E and DCP-1602(E))</p>  <p>Copy Options</p> <p>(DCP-1610W(E) and DCP-1612W)</p>  <p>2 in 1 (ID) Copy / Copy Options</p>	<p>Press ▲ or ▼, then press OK.</p>   <p>Press ▲ or ▼ to choose Copy Options. Press OK. Press ▲ or ▼, then press OK.</p>  	<p>(MFC models only)</p> <p>Press ▲, ▼, ◀ or ▶, then press OK.</p>  <p>(DCP models only)</p> <p>Press ▲ or ▼, then press OK.</p>  
	<p>Enlarge/Reduce</p> <p>Page Layout</p>	<p><b>100%*</b></p> <p>97% LTR-A4</p> <p>94% A4-LTR</p> <p>91% Full Page</p> <p>85% LTR-EXE</p> <p>83% LGL-A4<sup>1</sup></p> <p>78% LGL-LTR<sup>1</sup></p> <p>70% A4-A5</p> <p>50%</p> <p>Custom (25-400%)</p> <p>Auto<sup>2</sup></p> <p>200%</p> <p>141% A5-A4</p> <p>104% EXE-LTR</p> <p><b>Off (1 in 1)*</b></p> <p>2 in 1 (P)</p> <p>2 in 1 (L)</p> <p>4 in 1 (P)</p> <p>4 in 1 (L)</p>

The factory settings are shown in Bold with an asterisk.

<sup>1</sup> "LGL-LTR" and "LGL-A4" are displayed on ADF models only.

<sup>2</sup> Auto sets the machine to calculate the reduction ratio that best fits the size of paper. Auto is only available when using the ADF.

# 10

## How to scan to a computer

### Scanning a document as a PDF file using ControlCenter4


(For further information, see Software and Network User's Guide.)


#### NOTE

The screens on your PC may vary depending on your model.

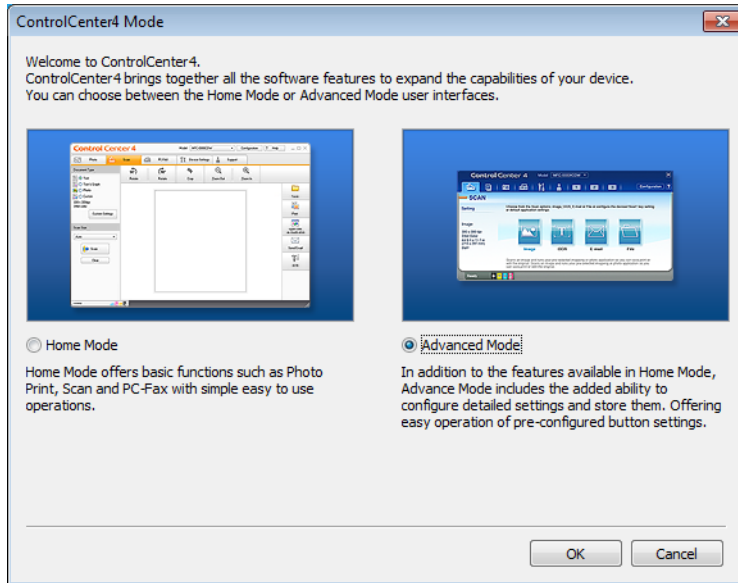
ControlCenter4 is a software utility that lets you quickly and easily access the applications you use most often.

- 1 Load your document.
- 2 Do one of the following:  
(Windows® XP, Windows Vista® and Windows® 7)

Click  (**Start**) > **All Programs** > **Brother** > **Brother Utilities**, and then click the drop-down list and select your model name (if not already selected). Click **SCAN** in the left navigation bar, and then click **ControlCenter4**. The ControlCenter4 application will open.  
(Windows® 8)

Click  (**Brother Utilities**), and then click the drop-down list and select your model name (if not already selected). Click **SCAN** in the left navigation bar, and then click **ControlCenter4**. The ControlCenter4 application will open.

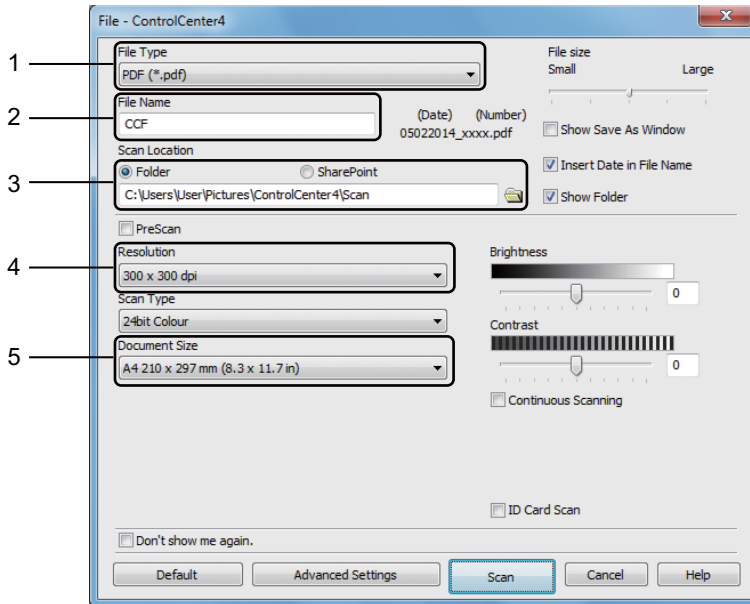
- 3 Choose **Advanced Mode** and then click **OK**.




- 4 Click **File** in the **Scan** tab.







- 1 Choose **PDF (\*.pdf)** from the File Type drop-down list.
- 2 You can enter the file name you want to use for the document.
- 3 When you select the **Folder** check box, you can save the file to the default folder, or choose your preferred folder by clicking the  (**Browse**) button.

When you select the **SharePoint** check box, you can save the file to a SharePoint library by entering the address.

- 4 You can choose a scanning resolution from the **Resolution** drop-down list.
- 5 You can choose the document size from the **Document Size** drop-down list.

**5**


Click **Scan**.

The machine starts the scanning process. The folder where the scanned data is saved will open automatically.

## Scanning using the SCAN key



### NOTE

If you want to use this function, install the MFL-Pro Suite and connect the machine to your PC with a USB cable.

- 1 Load your document. (See *How to load documents* on page 55.)
- 2 Press  (**SCAN**).
- 3 Press ▲ or ▼ to choose **Scan to PC**.  
Press **OK**.
- 4 Press ▲ or ▼ to choose a scan type (**File**, **E-mail** or **Image**).  
Press **OK**.
- 5 Do one of the following:
  - To change the scan settings, press ▲ or ▼ to select **Yes**, and then press **OK**. Following the LCD instructions to change the settings you want.
  - To use the default scan settings, press ▲ or ▼ to select **No**, and then press **OK**.
- 6 Press **Start**.  
The machine starts the scanning process.

## SCAN key settings

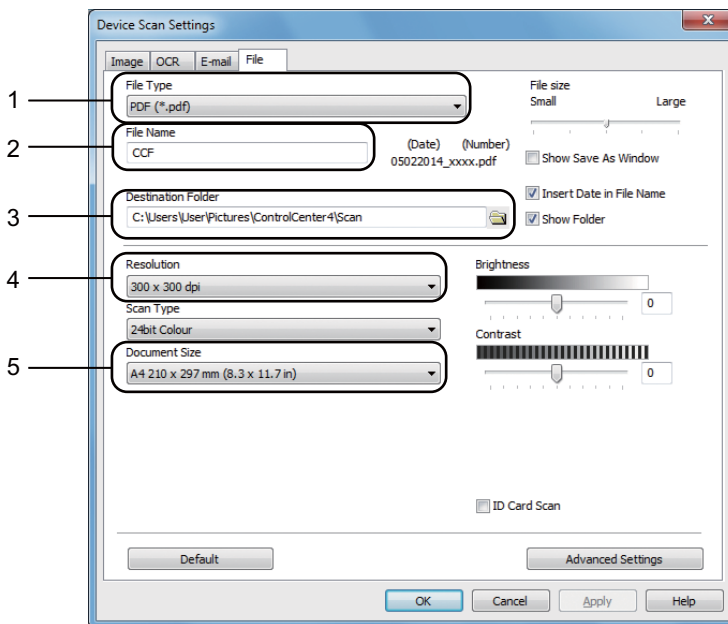
You can change your machine's **SCAN** key settings using ControlCenter4.


- 1 Do one of the following:  
(Windows® XP, Windows Vista® and Windows® 7)  
  
Click  (**Start**) > **All Programs** > **Brother** > **Brother Utilities**, and then click the drop-down list and select your model name (if not already selected). Click **SCAN** in the left navigation bar, and then click **ControlCenter4**.  
The ControlCenter4 application will open.  
(Windows® 8)  
  
Click  (**Brother Utilities**), and then click the drop-down list and select your model name (if not already selected). Click **SCAN** in the left navigation bar, and then click **ControlCenter4**.  
The ControlCenter4 application will open.
- 2 Click the **Device Settings** tab.

- 3 Click **Device Scan Settings**.



- 4 Choose the **File** tab. You can change the default settings.



- 1 You can choose the file type from the drop-down list.
- 2 You can enter the file name you want to use for the document.
- 3 You can save the file to the default folder, or choose your preferred folder by clicking the  (**Browse**) button.
- 4 You can choose a scanning resolution from the **Resolution** drop-down list.
- 5 You can choose the document size from the **Document Size** drop-down list.

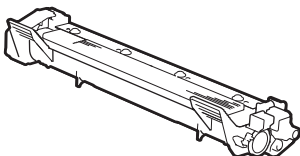
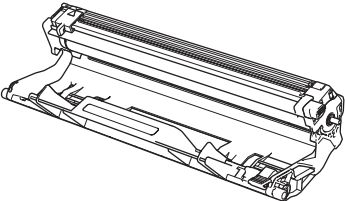
- 5 Click **OK**.

## A

# Troubleshooting and other information

## Consumable items

The drum unit and toner cartridge are two separate consumables. Make sure both are installed as an assembly. For more information on how to replace the consumable items, see the instructions included with the drum unit for replacing the drum unit or see the instructions printed on the box of the toner cartridge for replacing the toner cartridge.

Toner cartridge	Drum unit
Model Name: (For U.K.) TN-1050  (For Central Eastern Europe) TN-1030  (For Latin America) TN-1060	Model Name: (For U.K.) DR-1050  (For Central Eastern Europe) DR-1030  (For Latin America) DR-1060
	

### NOTE

- Brother machines are designed to work with toner of a particular specification and will work to a level of optimum performance when used with Brother Original toner cartridges. Brother cannot guarantee this optimum performance if toner or toner cartridges of other specifications are used. The machine may not detect toner or toner cartridges of other specifications correctly but may instead detect such items as standard yield toner cartridges. Brother does not therefore recommend the use of cartridges other than Brother Original cartridges with this machine, or the refilling of empty cartridges with toner from other sources. If damage is caused to the drum unit or other parts of this machine as a result of the use of toner or toner cartridges other than Brother Original products due to the incompatibility or lack of suitability of those products with this machine, any repairs required as a result may not be covered by the warranty.
- For best performance, use a Brother Original drum and toner cartridge. Printing with a third party drum unit or toner cartridge may reduce not only the print quality but also the quality and life of the machine itself. Warranty coverage may not apply to problems caused by the use of a third party drum or toner cartridge.

A

- Go to <http://www.brother.com/original/index.html> for instructions on how to return your used consumable items to the Brother recycling program. If you choose not to return your used items, please discard the used consumable according to local regulations, keeping it separate from domestic waste. If you have questions, call your local waste disposal office. (For more information, see Product Safety Guide.)
  - The projected life for each of the toner cartridges is based on ISO/IEC 19752. Frequency of replacement will vary depending on the complexity of printed pages, percentage of coverage and type of media used.
-

## Identifying your problem

First, check the following:

- **The machine's power cord is connected correctly and the machine is turned on.**
- **All of the protective parts have been removed.**
- **Paper is inserted correctly in the paper tray.**
- **The interface cables are securely connected to the machine and the computer.**

If you did not solve your problem with the above checks, identify your problem and then go to the page suggested below:

*Telephone and Fax problems (MFC models)* on page 90

*Improving the print quality* on page 92

If the machine is connected to a PC, depending on the error, a Popup application may appear on the PC.

Follow the instructions on the screen to resolve the error.

## Error and maintenance messages

The most common error and maintenance messages are shown below.

If you need more help, the Brother Solutions Center offers the latest FAQs and troubleshooting tips:

Visit us at <http://support.brother.com>.

Error Message	Cause	Action
Cartridge Error Put the Toner Cartridge back in.	The toner cartridge is not installed correctly.	Put the toner cartridge firmly into the drum unit, and then put it back in the machine.
	Verify you are using a Brother toner cartridge.	Use only a Brother Original drum unit and Brother Original toner cartridge.
Comm. Error	Poor telephone line quality caused a communication error.	Try sending the fax again.
Disconnected	The other person or other person's fax machine stopped the call.	Try to send or receive again.
Document Jam	The document was not inserted or fed correctly, or the document scanned from the ADF was too long.	Pull the jammed paper out of the ADF unit.
Drum End Soon Replace Drum	It is time to replace the drum unit.  The drum unit counter was not reset when a new drum was installed.	Replace the drum unit or reset the drum unit counter when a new drum is installed. (See the instructions that are supplied with the new drum unit.)
Out of Memory	The machine's memory is full.	<p><b>Fax sending or copy operation in process</b></p> <p>Do one of the following:</p> <ul style="list-style-type: none"> <li>■ Press <b>Start</b> to send or copy the scanned pages.</li> <li>■ Press <b>Stop/Exit</b> and wait until the other operations in progress finish, and then try again.</li> </ul> <p><b>Print operation in process</b></p> <ul style="list-style-type: none"> <li>■ Press <b>Stop/Exit</b>. The machine will cancel the print job and clear it from the memory.</li> <li>■ Lower the print quality.</li> </ul> <p>(For more information, see Software and Network User's Guide.)</p>
Self-Diagnostic	The temperature of the fuser unit does not rise to a specified temperature within the specified time.	Turn the machine off, wait a few seconds, and then turn it on again. Leave the machine idle for 15 minutes with the power on.
	The fuser unit is too hot.	

Error Message	Cause	Action
Size mismatch	The paper in the tray is not the correct size.	Load the correct size of paper in the tray and set the size of paper to the tray.
Toner Low	If the LCD shows <code>Toner Low</code> you can still print; however, the machine is telling you that the toner cartridge is near the end of its life.	Order a new Brother toner cartridge now so a replacement toner cartridge will be available when the LCD shows <code>Replace Toner</code> or <code>Toner Ended</code> .

**NOTE**

Turning off the machine will erase the fax data in the memory. To prevent you from losing any important messages, see *Transferring your faxes or Fax Journal report (MFC models)* on page 100.



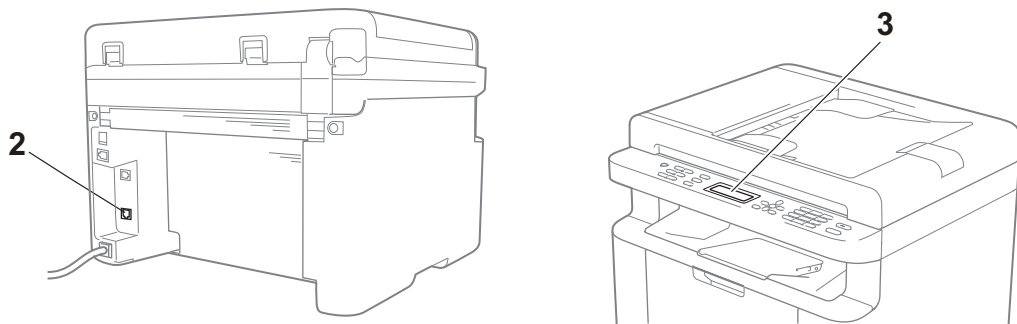
# If you are having difficulty with your machine

Most problems can be easily resolved by yourself. If you need additional help, the Brother Solutions Center offers the latest FAQs and troubleshooting tips.

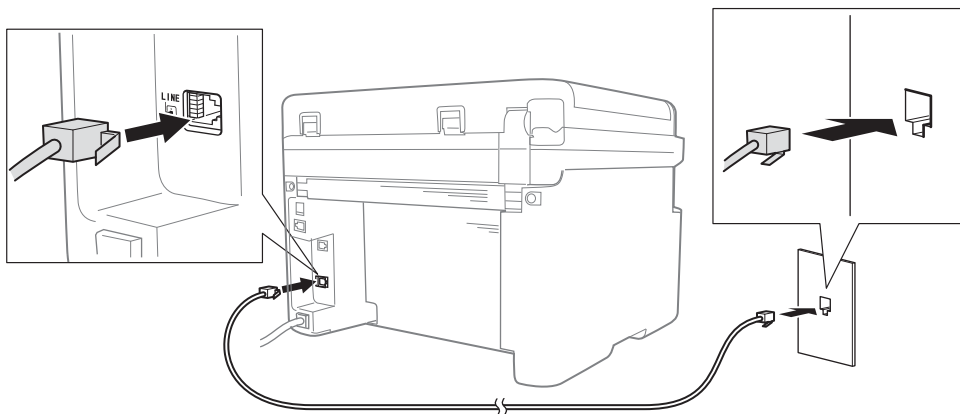
Visit us at <http://support.brother.com>.

## Telephone and Fax problems (MFC models)

If you cannot send or receive a fax, check the following:



- 1 Check the machine's power cord is connected correctly and the machine is turned on.
- 2 Connect one end of the telephone line cord to the area labelled "LINE," and then connect the other end of the telephone line cord directly to a telephone wall socket.



If you can send and receive faxes when the telephone line is directly connected to the fax, the problem may be unrelated to the machine. Please contact your service provider for connection issues.

- 3 Check the Receive mode.

For more information on setting the Receive mode, see *Receive modes* on page 59.

4 Change the compatibility setting to *Basic* (for VoIP).

You may be able to send and receive faxes by lowering the connection speed.

- 1 Press **Menu, 2, 0, 1**.
- 2 Press **▲** or **▼** to choose *Basic* (for VoIP).
- 3 Press **OK**.
- 4 Press **Stop/Exit**.

If, after trying all of the above the problem is still not resolved, turn the machine off, and then turn it on.

If you still cannot send or receive faxes after trying all of the above, check the FAQ on the Brother Solutions Center website (<http://support.brother.com>).

### Troubleshooting for other problems

Question	Answer
Cannot receive a fax.	If you have a dedicated fax line and want your Brother machine to automatically answer all incoming faxes, you should choose <i>Fax Only</i> .
Can I set the machine not to print the Transmission Verification report?	This product will print a Transmission Verification report. Even if the Transmission Verification report is set to <i>Off</i> , a report is printed when there is a communication error.  If the <i>Journal Period</i> is set to <i>Off</i> , <i>Fax Journal</i> are not printed.
Can I cancel the fax job?	Press <b>Stop/Exit</b> to cancel the fax or <b>Menu 2, 6</b> (for MFC-1900E and MFC-1905 only), <b>Menu 2, 7</b> (for MFC-1900 and MFC-1910WE only) or <b>Menu 2, 7</b> (for MFC-1910W only) to cancel the remaining jobs.
Poor sending quality.	Try changing your resolution to <i>Fine</i> or <i>S.Fine</i> , or clean the scanner.
Sent faxes are blank.	Make sure you are loading the document correctly. The document should be face down when using the ADF or the scanner glass. See <i>Loading documents</i> on page 55.
Vertical black lines when sending.	Black vertical lines on faces you send are typically caused by dirt or correction fluid on the glass strip. See <i>Clean the inside of the machine.</i> on page 93.

A

# Improving the print quality

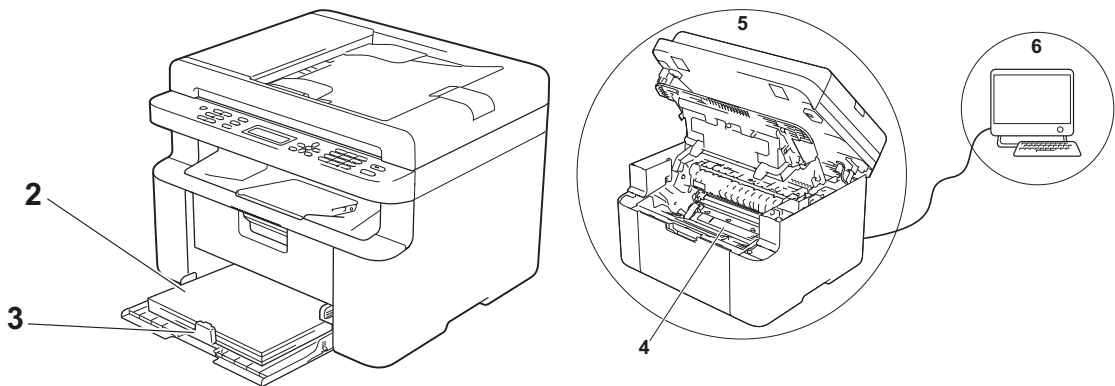
## NOTE

Brother does not recommend the use of cartridges other than Brother Original cartridges or the refilling of used cartridges with toner from other sources.

If you are having problems with print results, check the following:

1 The machine's environment.

Choose a location where the temperature remains between 10 °C and 32 °C and the humidity is between 20% to 80% (without condensation).

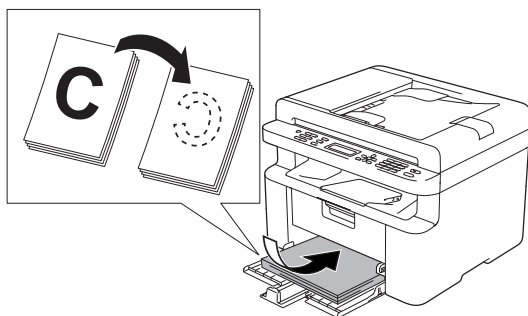


2 Acceptable paper is loaded in the paper tray.

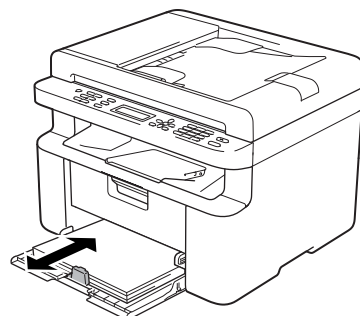
See *Acceptable paper* on page 54

3 The paper is loaded correctly in the machine.

Turning the paper over may help paper loading become smoother.



Adjusting the guide may help paper loading become smoother.



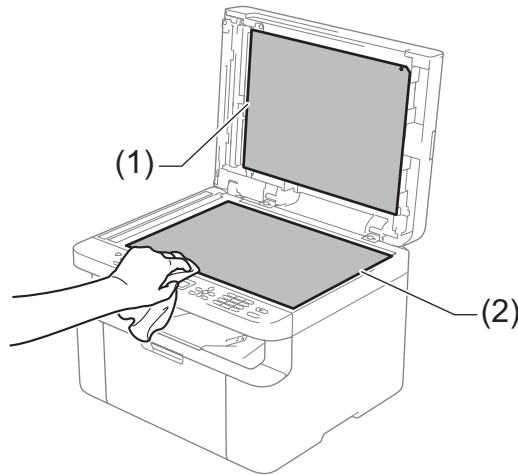
4 Replace the toner cartridge or the drum unit.

For more information on how to replace the consumable items, see the instructions included with the drum unit for replacing the drum unit or see the instructions printed on the box of the toner cartridge for replacing the toner cartridge.

5 Clean the inside of the machine.

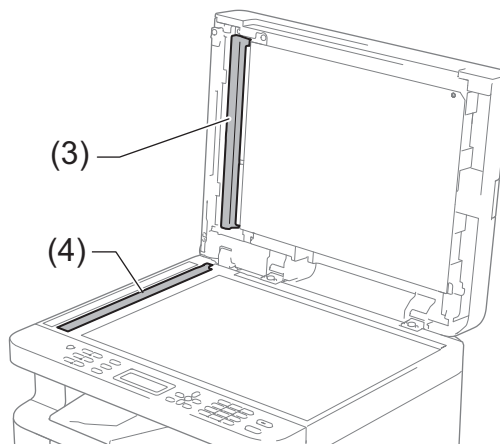
■ Cleaning the scanner glass

Clean the white plastic surface (1) and scanner glass (2).



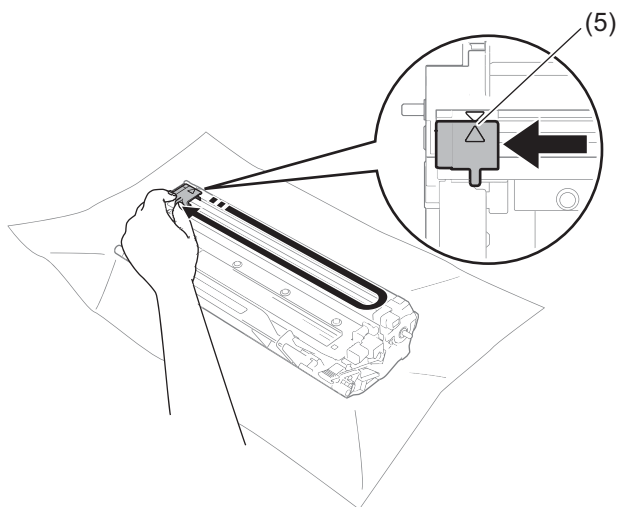
(ADF models only)

Clean the white bar (3) and the scanner glass strip (4).



- Cleaning the corona wire

Slide the green tab from left to right and right to left several times.

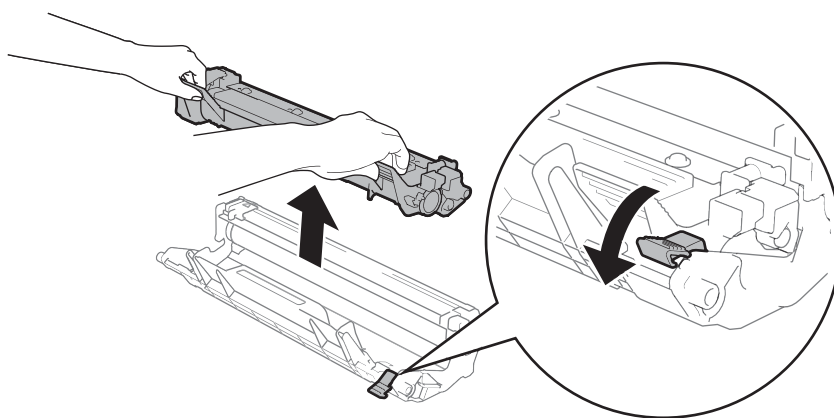


## NOTE

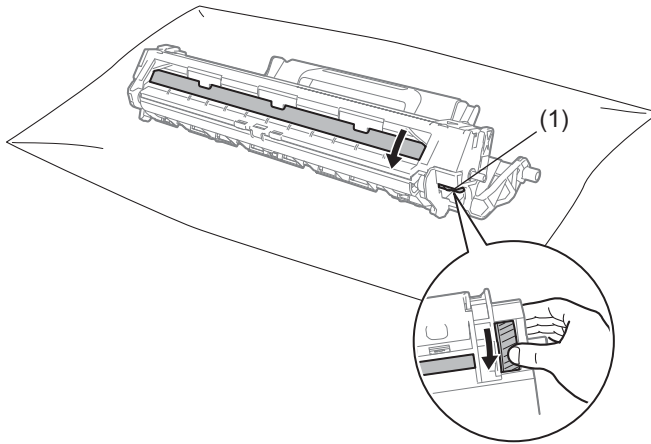
Be sure to return the tab to the home position (▲) (5). If you do not, printed pages may have a vertical stripe.

- Clean the drum unit if black or white dots appear on printed pages

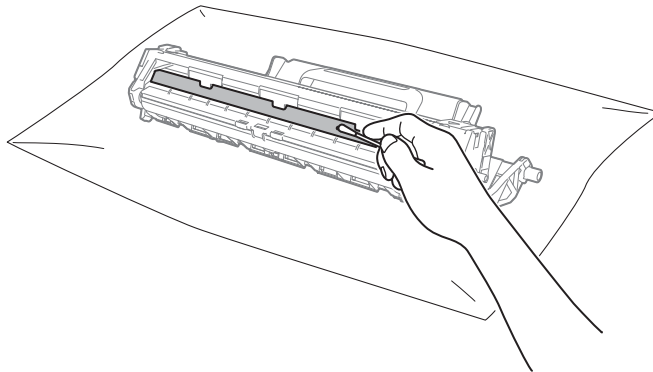
Push down the lock lever and take the toner cartridge out of the drum unit.



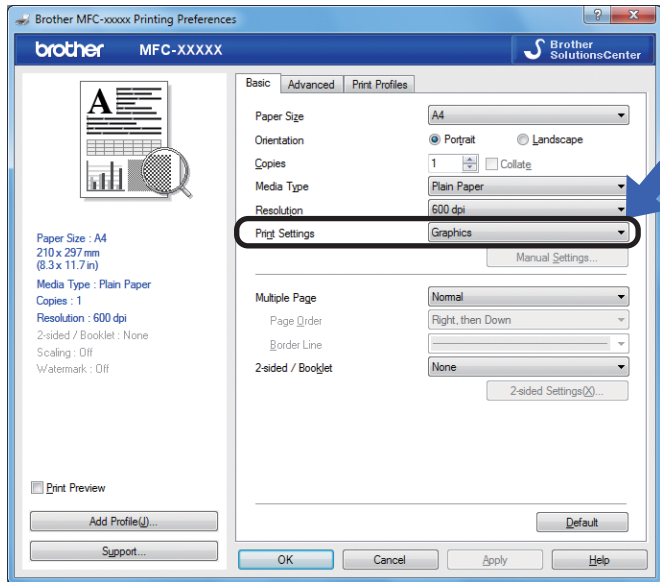
Turn the drum unit gear by hand while looking at the surface of the drum roller (1).



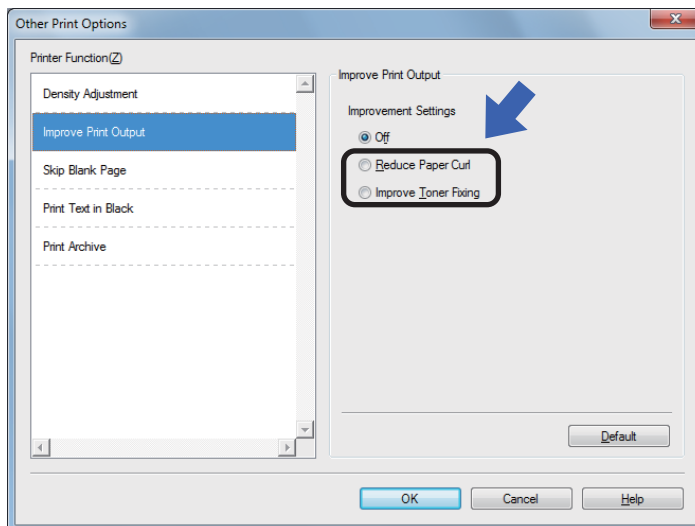
Wipe the surface of the drum gently with a dry cotton swab until the dust or glue on the surface comes off.



- 6 Check the printer driver settings.  
Try changing the **Print Settings** in the **Basic** tab.



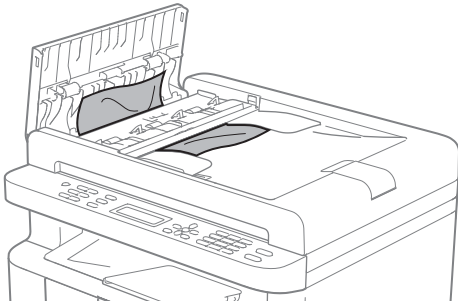
If the paper is curled or the toner is not fixed well on the paper, you can adjust these settings in **Improve Print Output**. Click **Other Print Options** in the **Advanced** tab.



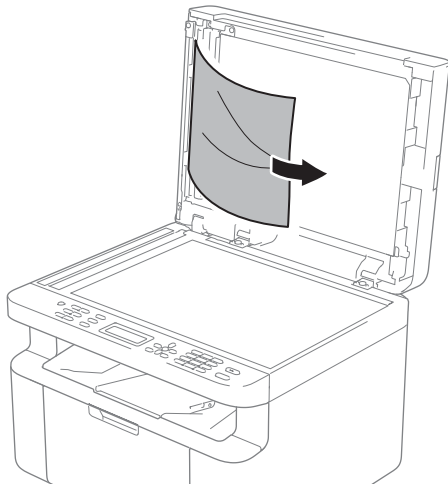
## Document Jams (ADF models)

Follow the steps below to handle a document jam in the ADF.

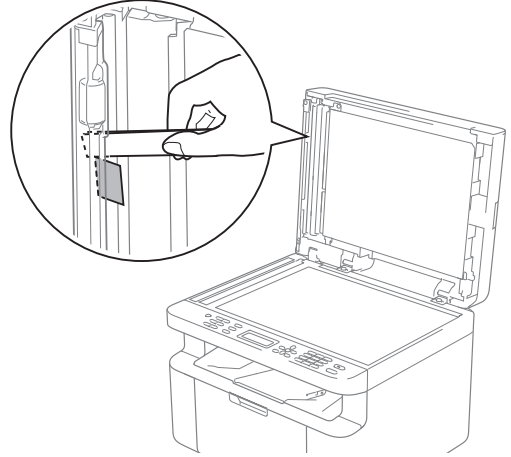
- 1 Open the ADF cover.
- 2 Pull the jammed document out.



- 3 Close the ADF cover.
- 4 Lift the document cover.
- 5 Pull the jammed document out to the right.



- 6 Insert a piece of stiff paper, such as cardstock, into the ADF to push any small paper scraps through.



If the document rips or tears, be sure you remove all small paper scraps to prevent future jams.

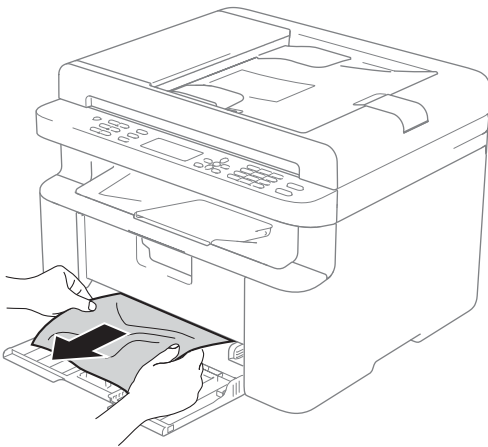
- 7 Close the document cover.
- 8 Press **Stop/Exit**.



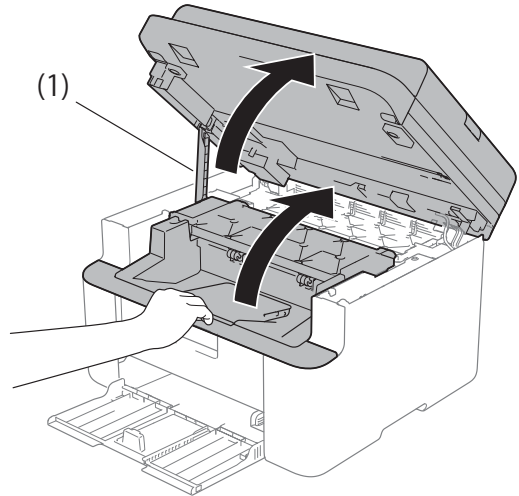
# Paper Jams

Always remove all paper from the paper tray and straighten the stack when you add new paper. This helps prevent multiple sheets of paper from feeding through the machine at one time and prevents paper jams.

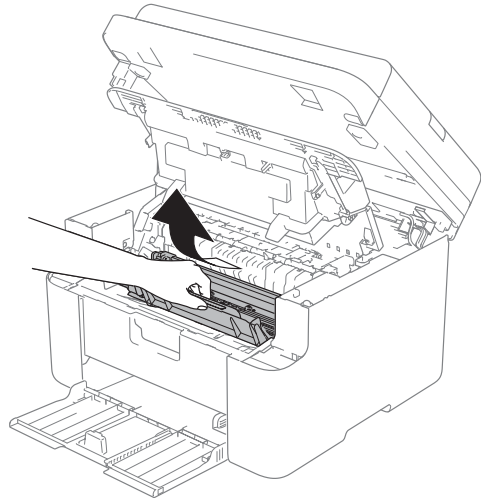
- 1 Turn the machine off.
- 2 Wait at least 15 minutes for the product to cool down before you touch the internal parts of the product.
- 3 Remove all paper loaded in the tray.
- 4 Use both hands to slowly pull out the jammed paper.



- 5 Open the scanner cover. The pull-arm (1) on the left side of the machine will lock. Open the top cover.

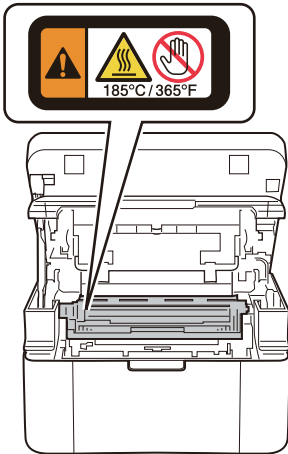


- 6 Slowly take out the drum unit and toner cartridge assembly.

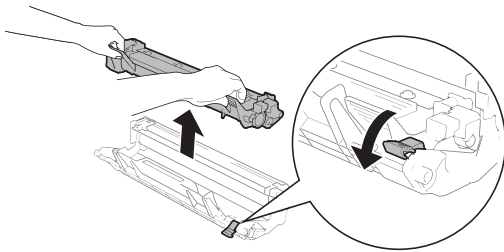


**! WARNING**

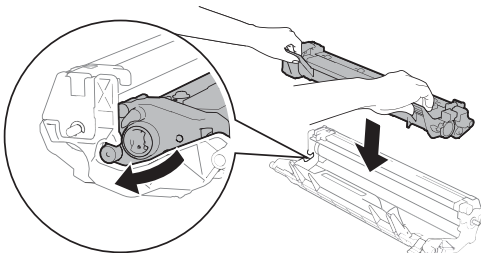
**! HOT SURFACE**



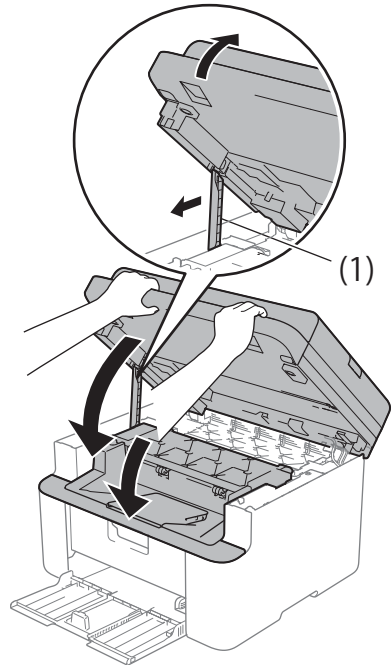
- 7** Push down the lock lever and take the toner cartridge out of the drum unit. Remove the jammed paper if there is any inside the drum unit.



- 8** Place the toner cartridge back into the drum unit until the lock lever lifts automatically.



- 9** Place the drum unit and toner cartridge assembly back in to the machine.
- 10** Close the top cover. After pulling the pull-arm (1) on the left side of the machine down, close the scanner cover using both hands.



- 11** Load the paper back in to the tray. Make sure that the paper is below the protruding section of the rear guide. Slide the paper guides to fit the paper size. Make sure that the guides are firmly in the slots.
- 12** Turn the machine on.

A

# Transferring your faxes or Fax Journal report (MFC models)

If the LCD shows:

- Print Unable XX
- Scan Unable XX

We recommend transferring your faxes to another fax machine or to your PC. (See *Transferring faxes to another fax machine* on page 100 or *Transferring faxes to your PC* on page 100)

You can also transfer the Fax Journal report to see if there are any faxes you need to transfer. (See *Transferring the Fax Journal report to another fax machine* on page 101.)

## NOTE

If there is an error message on the machine's LCD, after the faxes have been transferred, disconnect the machine from the power source for several minutes, and then reconnect it.

## Transferring faxes to another fax machine

- 1 Press **Menu**, **9**, **0**, **1**.
- 2 Do one of the following:
  - If the LCD shows No Data, there are no faxes left in the machine's memory. Press **Stop/Exit**.
  - Enter the fax number to which faxes will be forwarded.
- 3 Press **Start**.

## NOTE

If you have not set up your Station ID, you cannot enter fax transfer mode. Press **Menu**, **0**, **2** to register your fax number, telephone number and name.

## Transferring faxes to your PC

You can transfer the faxes from your machine's memory to your PC.

- 1 Make sure that you have installed MFL-Pro Suite and then turn on **PC-FAX Receive** on the PC. (For more information, see Software and Network User's Guide.)

Do one of the following:

(Windows® XP, Windows Vista® and Windows® 7)

Click  (**Start**) > **All Programs** >

**Brother** > **Brother Utilities**, and then click the drop-down list and select your model name (if not already selected). Click **PC-FAX Receive** in the left navigation bar, and then click **Receive**. (Windows® 8)

Click  (**Brother Utilities**), and

then click the drop-down list and select your model name (if not already selected). Click **PC-FAX Receive** in the left navigation bar, and then click **Receive**.

- 2 Make sure that you have set **PC Fax Receive** on the machine. (See *PC-FAX Receive (For Windows® only)* on page 65.) If faxes are in the machine's memory when you set up **PC-Fax Receive**, the LCD will ask if you want to transfer the faxes to your PC.
- 3 Do one of the following:
  - To transfer all faxes to your PC, press **1**. You will be asked if you want a backup print.
  - To exit and leave the faxes in the memory, press **2**.

- 4 Press ▲ or ▼ to choose **On** or **Off**. Press **OK**.
- 5 Press **Stop/Exit**.

## Transferring the Fax Journal report to another fax machine

- 1 Press **Menu, 9, 0, 2**.
- 2 Enter the fax number to which the Fax Journal report will be forwarded.
- 3 Press **Start**.

### NOTE

If you have not set up your Station ID, you cannot enter fax transfer mode. Press **Menu, 0, 2** to register your fax number, telephone number and name.

## Cleaning and Checking the machine

Make sure to read the guidelines in the Product Safety Guide before cleaning the machine.

Clean the outside and inside of the machine regularly with a dry, lint-free cloth. When you replace the toner cartridge or the drum unit, make sure that you clean the inside of the machine. If printed pages are stained with toner, clean the inside of the machine with a dry, lint-free cloth.

### WARNING



DO NOT use flammable substances, any type of spray, or an organic solvent/liquid containing alcohol or ammonia to clean the inside or outside of the product. Doing so could cause a fire or electrical shock. Instead, use only a dry, lint-free cloth.

(For more information, see Product Safety Guide.)



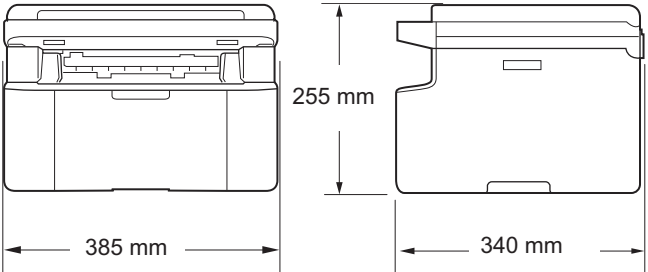
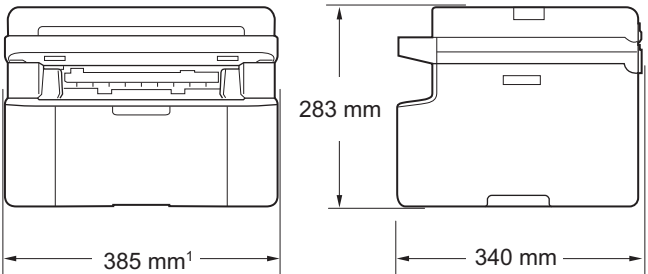
# B

## Specifications

### DCP-1600E, DCP-1602(E), MFC-1900(E) and MFC-1905

#### General

Model	DCP-1600E	DCP-1602(E)	MFC-1900(E)	MFC-1905
Printer Type	Laser			
Print Method	Electrophotographic Laser Printer			
Memory Capacity	16 MB			
Power Source	220 - 240 V AC 50/60 Hz			
Power Consumption (Average)	Peak <sup>1</sup>	Approx. 1,080 W		
	Printing <sup>1</sup>	Approx. 380 W at 25 °C		
	Copying <sup>1</sup>	Approx. 380 W at 25 °C		
	Networked Standby <sup>2 3</sup>	(For DCP-1600E, DCP-1602E) Approx. 0.8 W (For MFC-1900E) Approx. 1.3 W		
	Ready <sup>1</sup>	Approx. 40 W at 25 °C		
	Deep Sleep <sup>1</sup>	Approx. 0.8 W	Approx. 1.3 W	
	Power Off <sup>1 4 5</sup>	Approx. 0.28 W		

Model		DCP-1600E	DCP-1602(E)	MFC-1900(E)	MFC-1905
<b>Dimensions</b>		DCP-1600E and DCP-1602(E)			
					
		MFC-1900(E) and MFC-1905			
					
		<sup>1</sup> For MFC-1905, the width is 456 mm.			
<b>Weights (with consumables)</b>		7.2 kg		8.2 kg	8.5 kg
<b>Noise Level</b>	Sound Pressure	Printing	LPAM = 52 dB (A)		
	Sound Power	Printing	LWAd = 6.59 B (A)		
<b>Temperature</b>		Operating	10 to 32 °C		
		Storage	0 to 40 °C		
<b>Humidity</b>		Operating	20 to 80% (without condensation)		
		Storage	35 to 85% (without condensation)		
<b>Interface</b>	USB	Hi-Speed USB 2.0 <sup>6 7</sup> It is recommended you use a USB 2.0 cable (Type A/B) that is no more than 2 metres long.			
<b>Support OS</b>	Windows®	Windows® XP Home, Windows® XP Professional, Windows® XP Professional x64 Edition, Windows Vista®, Windows® 7, Windows® 8, Windows® 8.1			
	Mac OS	OS X v10.7.5, 10.8.x, 10.9.x			

B

Model		DCP-1600E	DCP-1602(E)	MFC-1900(E)	MFC-1905
Consumables	Toner Cartridge (Inbox)	(For DCP-1602, DCP-1602E, MFC-1900, MFC-1905) Approx. 700 pages A4 or Letter page <sup>8</sup> (For DCP-1600E, MFC-1900E) Approx. 1,000 pages A4 or Letter page <sup>8</sup>			
	Toner Cartridge (Standard)	Approx. 1,000 pages A4 or Letter page <sup>8</sup>			
		Model Name	(For Central Eastern Europe) TN-1030 (For Latin America) TN-1060		
		Drum Unit	Approx. 10,000 pages A4 or Letter pages (1 page / job) <sup>9</sup>		
			Model Name	(For Central Eastern Europe) DR-1030 (For Latin America) DR-1060	

<sup>1</sup> Measured when the machine is connected to the USB interface.

<sup>2</sup> All wireless network ports activated and all wired network ports connected according to Regulation (EU) No 801/2013.

<sup>3</sup> To activate and deactivate the wireless function, change the WLAN Enable options using the machine's control panel. (Network > WLAN > WLAN Enable > On or Off)

<sup>4</sup> Power consumption varies slightly depending on the usage environment or part wear.

<sup>5</sup> Measured according to IEC 62301 Edition 2.0.

<sup>6</sup> Your machine has a Hi-Speed USB 2.0 interface. The machine can also be connected to a computer that has a USB 1.1 interface.

<sup>7</sup> Third-party USB ports are not supported.

<sup>8</sup> Approx. cartridge yield is declared in accordance with ISO/IEC 19752.

<sup>9</sup> Drum life is approximate and may vary by type of use.

## Document Size

Model		DCP-1600E	DCP-1602(E)	MFC-1900(E)	MFC-1905
<b>ADF (automatic document feeder)</b>		—		Up to 10 pages	
<b>Scanner Glass</b>		One sheet per time			
<b>Document Size</b>	ADF	—		A4, Letter, Legal, Folio	
	Scanner Glass	Length: Up to 300.0 mm Width: Up to 215.9 mm			
<b>Weight</b>	ADF	—		65 to 90 g/m <sup>2</sup>	
	Scanner Glass	Up to 2.0 kg			

## Print Media

Model			DCP-1600E	DCP-1602(E)	MFC-1900(E)	MFC-1905
<b>Paper Input</b>	Paper Tray	Paper Type	Plain Paper, Recycled Paper			
		Paper Size	A4, Letter, Legal, Folio, A5, A5(Long Edge), B5, Executive Width: 148 to 216 mm Length: 148 to 355.6 mm			
		Paper Weight	65 to 105 g/m <sup>2</sup>			
		Maximum Paper Capacity	Up to 150 sheets of 80 g/m <sup>2</sup> Plain paper			
<b>Paper Output</b>	Face-Down Output Tray	Up to 50 sheets of 80 g/m <sup>2</sup> Plain Paper (face-down delivery to the face-down output paper tray)				



## Fax

Model	DCP-1600E	DCP-1602(E)	MFC-1900(E)	MFC-1905
<b>Modem Speed</b>	—		14,400 bps (with Automatic Fallback)	
<b>Scanning Width</b>	—		Max. 208 mm	
<b>Printing Width</b>	—		Max. 208 mm	
<b>Greyscale</b>	—		8 bit/256 levels	
<b>Resolution</b>	Horizontal	—	8 dot/mm	
	Vertical	—	Standard: 3.85 line/mm	
		—	Fine: 7.7 line/mm	
		—	Photo: 7.7 line/mm	
	—	Superfine: 15.4 line/mm		
<b>Speed Dial</b>	—		99 stations	
<b>Automatic Redial</b>	—		3 times at 5 minute intervals	
<b>Memory Transmission</b>	—		Up to 400 <sup>1</sup> pages	
<b>Out of Paper Reception</b>	—		Up to 400 <sup>1</sup> pages	

<sup>1</sup> 'Pages' refers to the 'ITU-T Test Chart #1' (a typical business letter, Standard resolution, MMR code). Specifications and printed materials are subject to change without prior notice.

## Copy

Model	DCP-1600E	DCP-1602(E)	MFC-1900(E)	MFC-1905
<b>Copy Width</b>	Max. 210 mm			
<b>Multiple Copies</b>	Stacks or Sorts up to 99 pages			
<b>Reduce/Enlarge</b>	25% to 400% (in increments of 1%)			
<b>Resolution</b>	Up to 600 × 600 dpi			
<b>First Copy Out Time</b> <sup>1</sup>	Less than 16 seconds at 23 °C / 230 V			

<sup>1</sup> From Ready mode and standard tray

## Scanner

Model		DCP-1600E	DCP-1602(E)	MFC-1900(E)	MFC-1905
Colour		Yes			
TWAIN Compliant		Yes (Windows® XP/ Windows Vista® / Windows® 7 / Windows® 8 / Windows® 8.1 / OS X v10.7.5, 10.8.x, 10.9.x <sup>1</sup> )			
WIA Compliant		Yes (Windows® XP / Windows Vista® / Windows® 7 / Windows® 8 / Windows® 8.1)			
ICA Compliant		Yes (OS X v10.7.5, 10.8.x, 10.9.x)			
Colour Depth	Colour	24 bit colour processing (Input) 24 bit colour processing (Output)			
	Greyscale	8 bit colour processing (Input) 8 bit colour processing (Output)			
Resolution		Up to 19,200 × 19,200 dpi (interpolated) <sup>2</sup>			
		Up to 600 × 1200 dpi (optical) <sup>2</sup> (from Scanner Glass)			
		—		Up to 600 × 600 dpi (optical) <sup>2</sup> (from ADF)	
Scanning Width		Max. 210 mm			

<sup>1</sup> For the latest driver updates for the version of OS X you are using, visit us at <http://support.brother.com>.

<sup>2</sup> Maximum 1200 × 1200 dpi scanning with the WIA driver in Windows® XP, Windows Vista®, Windows® 7 and Windows® 8 and Windows® 8.1 (resolution up to 19200 × 19200 dpi can be chosen by using the scanner utility)

## Printer

Model		DCP-1600E	DCP-1602(E)	MFC-1900(E)	MFC-1905
Resolution		Up to 2400 × 600 dpi (HQ1200 technology)			
Print Speed <sup>1</sup>		Up to 20 pages/minute (A4 size) Up to 21 pages/minute (LTR size)			
First Print Out Time <sup>2</sup>		Less than 10 seconds at 23 °C / 230 V			

<sup>1</sup> The print speed may vary depending on the type of document you print.

<sup>2</sup> From Ready mode and standard tray

# DCP-1610W(E), DCP-1612W and MFC-1910W(E)

## General

Model		DCP-1610W(E)	DCP-1612W	MFC-1910W(E)
Printer Type		Laser		
Print Method		Electrophotographic Laser Printer		
Memory Capacity		32 MB		
Power Source		220 - 240 V AC 50/60 Hz		
Power Consumption (Average)	Peak <sup>1</sup>	Approx. 1,080 W		
	Printing <sup>1</sup>	Approx. 390 W at 25 °C		
	Copying <sup>1</sup>	Approx. 390 W at 25 °C		
	Networked Standby <sup>2 3</sup>	Approx. 1.5 W		Approx. 2.4 W
	Ready <sup>1</sup>	Approx. 50 W at 25 °C		
	Deep Sleep <sup>1</sup>	Approx. 0.9W		Approx. 1.4 W
	Power Off <sup>1 4 5</sup>	Approx. 0.28 W		Approx. 0.3 W
Dimensions		DCP-1610W(E) and DCP-1612W		
Dimensions		MFC-1910W(E)		
Weights (with consumables)		7.2 kg		8.2 kg

Model			DCP-1610W(E)	DCP-1612W	MFC-1910W(E)
Noise Level	Sound Pressure	Printing	LPAM = 52 dB (A)		
	Sound Power	Printing	LWad = 6.6 B (A)		
Temperature		Operating	10 to 32 °C		
		Storage	0 to 40 °C		
Humidity		Operating	20 to 80% (without condensation)		
		Storage	35 to 85% (without condensation)		
Interface	USB		Hi-Speed USB 2.0 <sup>6 7</sup> It is recommended you use a USB 2.0 cable (Type A/B) that is no more than 2 metres long.		
	Wireless LAN <sup>8</sup>		IEEE 802.11b/g/n (Infrastructure Mode/Ad-hoc Mode)		
Support OS	Windows®		Windows® XP Home, Windows® XP Professional, Windows® XP Professional x64 Edition, Windows Vista®, Windows® 7, Windows® 8, Windows® 8.1, Windows Server® 2003, Windows Server® 2003 x64 Edition, Windows Server® 2008, Windows Server® 2008 R2, Windows Server® 2012, Windows Server® 2012 R2		
	Mac OS		OS X v10.7.5, 10.8.x, 10.9.x		
Consumables	Toner Cartridge (Inbox)		(For DCP-1610W and MFC-1910W ) Approx. 700 pages A4 or Letter page <sup>9</sup> (For DCP-1610WE, DCP-1612W and MFC-1910WE ) Approx. 1,000 pages A4 or Letter page <sup>9</sup>		
	Toner Cartridge (Standard)		Approx. 1,000 pages A4 or Letter page <sup>9</sup>		
	Model Name		(For U.K.) TN-1050 (For Central Eastern Europe) TN-1030		
	Drum Unit		Approx. 10,000 pages A4 or Letter pages (1 page / job) <sup>10</sup>		
	Model Name		(For U.K.) DR-1050 (For Central Eastern Europe) DR-1030		

<sup>1</sup> Measured when the machine is connected to the USB interface.

<sup>2</sup> All wireless network ports activated and all wired network ports connected according to Regulation (EU) No 801/2013.

<sup>3</sup> To activate and deactivate the wireless function, change the WLAN Enable options using the machine's control panel. (Network > WLAN > WLAN Enable > On or Off)

<sup>4</sup> Power consumption varies slightly depending on the usage environment or part wear.

<sup>5</sup> Measured according to IEC 62301 Edition 2.0.

<sup>6</sup> Your machine has a Hi-Speed USB 2.0 interface. The machine can also be connected to a computer that has a USB 1.1 interface.

<sup>7</sup> Third-party USB ports are not supported.

<sup>8</sup> For detailed network specifications, see *Network (LAN)* on page 113 and Software and Network User's Guide.

<sup>9</sup> Approx. cartridge yield is declared in accordance with ISO/IEC 19752.

<sup>10</sup> Drum life is approximate and may vary by type of use.

## Document Size

Model		DCP-1610W(E)	DCP-1612W	MFC-1910W(E)
ADF(automatic document feeder)		—		Up to 10 pages
Scanner Glass		One sheet per time		
Document Size	ADF	—		A4, Letter, Legal, Folio
	Scanner Glass	Length: Up to 300.0 mm Width: Up to 215.9 mm		
Weight	ADF	—		65 to 90 g/m <sup>2</sup>
	Scanner Glass	Up to 2.0 kg		

## Print Media

Model			DCP-1610W(E)	DCP-1612W	MFC-1910W(E)
Paper Input	Paper Tray	Paper Type	Plain Paper, Recycled Paper		
		Paper Size	A4, Letter, Legal, Folio, A5, A5(Long Edge), B5, Executive Width: 148 to 216 mm Length: 148 to 355.6 mm		
		Paper Weight	65 to 105 g/m <sup>2</sup>		
		Maximum Paper Capacity	Up to 150 sheets of 80 g/m <sup>2</sup> Plain paper		
Paper Output	Face-Down Output Tray	Up to 50 sheets of 80 g/m <sup>2</sup> Plain Paper (face-down delivery to the face-down output paper tray)			

## Fax

Model		DCP-1610W(E)	DCP-1612W	MFC-1910W(E)
<b>Modem Speed</b>		—		14,400 bps (with Automatic Fallback)
<b>Scanning Width</b>		—		Max. 208 mm
<b>Printing Width</b>		—		Max. 208 mm
<b>Greyscale</b>		—		8 bit/256 levels
<b>Resolution</b>	Horizontal	—		8 dot/mm
	Vertical	—		Standard: 3.85 line/mm
		—		Fine: 7.7 line/mm
		—		Photo: 7.7 line/mm
—		—		Superfine: 15.4 line/mm
<b>Speed Dial</b>		—		99 stations
<b>Automatic Redial</b>		—		3 times at 5 minute intervals
<b>Memory Transmission</b>		—		Up to 400 <sup>1</sup> pages
<b>Out of Paper Reception</b>		—		Up to 400 <sup>1</sup> pages

<sup>1</sup> 'Pages' refers to the 'ITU-T Test Chart #1' (a typical business letter, Standard resolution, MMR code). Specifications and printed materials are subject to change without prior notice.

## Copy

Model	DCP-1610W(E)	DCP-1612W	MFC-1910W(E)
<b>Copy Width</b>	Max. 210 mm		
<b>Multiple Copies</b>	Stacks or Sorts up to 99 pages		
<b>Reduce/Enlarge</b>	25% to 400% (in increments of 1%)		
<b>Resolution</b>	Up to 600 × 600 dpi		
<b>First Copy Out Time<sup>1</sup></b>	Less than 16 seconds at 23 °C / 230 V		

<sup>1</sup> From Ready mode and standard tray

## Scanner

Model		DCP-1610W(E)	DCP-1612W	MFC-1910W(E)
Colour		Yes		
TWAIN Compliant		Yes (Windows® XP / Windows Vista® / Windows® 7 / Windows® 8 / Windows® 8.1 / OS X v10.7.5, 10.8.x, 10.9.x <sup>1</sup> )		
WIA Compliant		Yes (Windows® XP / Windows Vista® / Windows® 7 / Windows® 8 / Windows® 8.1)		
ICA Compliant		Yes (OS X v10.7.5, 10.8.x, 10.9.x)		
Colour Depth	Colour	24 bit colour processing (Input) 24 bit colour processing (Output)		
	Greyscale	8 bit colour processing (Input) 8 bit colour processing (Output)		
Resolution		Up to 19,200 × 19,200 dpi (interpolated) <sup>2</sup>		
		Up to 600 × 1200 dpi (optical) <sup>2</sup> (from Scanner Glass)		
		—	Up to 600 × 600 dpi (optical) <sup>2</sup> (from ADF)	
Scanning Width		Max. 210 mm		

<sup>1</sup> For the latest driver updates for the version of OS X you are using, visit us at <http://support.brother.com>.

<sup>2</sup> Maximum 1200 × 1200 dpi scanning with the WIA driver in Windows® XP, Windows Vista®, Windows® 7 and Windows® 8 (resolution up to 19200 × 19200 dpi can be chosen by using the scanner utility)

## Printer

Model	DCP-1610W(E)	DCP-1612W	MFC-1910W(E)
Resolution	Up to 2400 × 600 dpi (HQ1200 technology)		
Print Speed <sup>1</sup>	Up to 20 pages/minute (A4 size) Up to 21 pages/minute (LTR size)		
First Print Out Time <sup>2</sup>	Less than 10 seconds at 23 °C / 230 V		

<sup>1</sup> The print speed may vary depending on the type of document you print.

<sup>2</sup> From Ready mode and standard tray

## Network (LAN)

### NOTE

For more information about the Network specifications, see Software and Network User's Guide.

Model		DCP-1610W(E)	DCP-1612W	MFC-1910W(E)
<b>LAN</b>		You can connect your machine to a network for Network Printing, Network Scanning, PC-Fax Send <sup>1</sup> , PC-Fax Receive (Windows® only) <sup>1</sup> and Remote Setup <sup>1 2</sup> .  Also included is Brother BRAdmin Light <sup>3 4</sup> Network Management software.		
<b>Protocols</b>	IPv4	ARP, RARP, BOOTP, DHCP, APIPA(Auto IP), WINS/NetBIOS name resolution, DNS resolver, mDNS, LLMNR responder, LPR/LPD, Custom Raw Port/Port 9100, IPP, FTP Server, SNMPv1/v2c, HTTP Server, TFTP Client and Server, SMTP Client, ICMP, Web Services (Print/Scan)		
	IPv6	NDP, RA, DNS Resolver, mDNS, LLMNR responder, LPR/LPD, Custom Raw Port/Port 9100, IPP, FTP Server, SNMPv1/v2c, HTTP Server, TFTP Client and Server, SMTP Client, ICMPv6, Web Services (Print/Scan)		
<b>Security Protocols</b>	Wireless	SMTP-AUTH		
<b>Wireless Network Security</b>		WEP 64/128, WPA-PSK (TKIP/AES), WPA2-PSK (AES)		
<b>Wireless Network Setup Support Utility</b>	AOSS™	Yes		
	WPS	Yes		

<sup>1</sup> For MFC models

<sup>2</sup> See Software and Network User's Guide.

<sup>3</sup> (For Windows® users) Brother BRAdmin Light is available from the CD-ROM provided with the machine. (For Macintosh users) Brother BRAdmin Light is available as a download from <http://support.brother.com>.

<sup>4</sup> (For Windows® users) If you require more advanced printer management, use the latest Brother BRAdmin Professional utility version that is available as a download from <http://support.brother.com>.



# C

# Index

- 
- ## A
- 
- Address Book .....6
  - ADF (automatic document feeder)
    - using .....55
  - Answering machine (TAD)
    - connecting .....71
  - Apple Macintosh
    - See Software and Network User's Guide.
  - Auto Power Off .....51
  - Automatic
    - fax receive
      - Fax Detect .....60
- 
- ## B
- 
- Broadcasting .....58
    - cancelling .....58
  - Brother Numbers .....i
  - BT Call Sign (U.K. only) .....70
- 
- ## C
- 
- Cancelling
    - broadcast in process .....58
  - Cleaning
    - corona wire .....94
    - drum unit .....94
    - scanner .....93
  - Connecting
    - external TAD (answering machine) .....70
    - external telephone .....72
  - Consumable items .....85
  - Control panel overview .....5
  - ControlCenter2 (for Macintosh)
    - See Software and Network User's Guide.
  - Copy
    - 2 in 1 (ID) Copy .....5
    - 2 in 1 (ID) Copy/Copy Options key .....7
    - Copy Options key .....7
  - Cordless telephone (non-Brother) .....73
- 
- ## D
- 
- Deep Sleep mode .....51
  - Dialling
    - manual .....63
    - Speed Dial .....63
      - using the Search key .....63
  - Dimensions .....103, 108
  - Document
    - how to load .....55
    - jam .....97
  - Drum unit .....85
    - cleaning .....94
- 
- ## E
- 
- Error messages on LCD .....88
  - Extension telephone, using .....72
  - External telephone, connecting .....72
- 
- ## F
- 
- FAX (PC-FAX)
    - Macintosh
      - See Software and Network User's Guide.
    - Windows®
      - receiving .....65
      - sending .....67
  - Fax, stand-alone
    - receiving
      - Continue Mode .....52
      - easy receive .....60
      - ring delay, setting .....60
    - sending .....57
      - broadcasting .....58
  - Fax/Tel mode
    - F/T ring time (double-ring) .....60
    - fax detect .....60
    - receiving faxes .....72
    - ring delay .....60
- 
- ## H
- 
- Help
    - LCD messages for DCP models .....39
    - LCD messages for MFC models .....8
    - Menu Table for DCP models .....40
    - Menu Table for MFC models .....9

## L

LCD (liquid crystal display) .....5, 7, 8, 39

## M

Macintosh

See Software and Network User's Guide.

Maintenance, routine ..... 101

Manual

dialling ..... 63

Menu Table

DCP models ..... 40

MFC models ..... 9

Mode, entering

fax ..... 57

Multi-line connections (PBX) ..... 71

## N

Network

faxing

See Software and Network User's Guide.

printing

See Software and Network User's Guide.

scanning

See Software and Network User's Guide.

Network connectivity ..... 109

## O

Options ..... 5

## P

Paper ..... 54

jam ..... 98

recommended ..... 54

size ..... 53

tray capacity ..... 54

PC-Fax ..... 65

See Software and Network User's Guide.

Print

quality ..... 92

resolution ..... 107, 112

specifications ..... 107, 112

Printing

See Software and Network User's Guide.

Programming your machine ..... 8, 39

## Q

Quality

printing ..... 92

Quick dial

broadcasting ..... 58

Speed Dial

changing ..... 62

setting up ..... 62

using ..... 63

## R

Register your product ..... i

Remote setup

See Software and Network User's Guide.

Resolution

copy ..... 106, 111

fax ..... 106, 111

print ..... 107, 112

scan ..... 107, 112

Ring delay, setting ..... 60

## S

Scan a document to a computer ..... 80

Scanner glass

using ..... 55

Scanning ..... 80

See Software and Network User's Guide.

Service centres (Europe and other countries) .... i

Sockets

EXT

external telephone ..... 72

TAD (answering machine) ..... 70

Specifications ..... 102

copy ..... 106, 111

document size ..... 105, 110

fax ..... 106, 111

general ..... 102

print ..... 107, 112

print media ..... 105, 110

scan ..... 107, 112

Speed Dial

changing ..... 62

setting up ..... 62

using ..... 63

## T

---

TAD (telephone answering device), external	
connecting .....	70, 71
recording OGM .....	71
Telephone line	
connections .....	71
multi-line (PBX) .....	71
Text, entering .....	49
Toner Setting (Continue Mode) .....	51
Troubleshooting .....	90
document jam .....	97
error and maintenance messages on LCD ..	88
paper jam .....	98
print quality .....	92
Telephone and Fax .....	90
other problems .....	91

## U

---

Utilities .....	i
-----------------	---

## W

---

Weights .....	103, 108
WiFi key .....	6, 7
Windows®	
See Software and Network User's Guide.	
Wireless .....	109
Wireless Network	
See Software and Network User's Guide.	

# brother

**Visit us on the World Wide Web**  
**<http://www.brother.com>**

These machines are approved for use in the country of purchase only. Local Brother companies or their dealers will only support machines purchased in their own countries.



[www.brotherearth.com](http://www.brotherearth.com)