

2.5" SATA/SAS Drive to 3.5" SATA Hard Drive Adapter Enclosure

25SATSAS35HD

FR: Guide de l'utilisateur - fr.startech.com
 DE: Bedienungsanleitung - de.startech.com
 ES: Guía del usuario - es.startech.com
 NL: Gebruiksaanwijzing - nl.startech.com
 PT: Guia do usuário - pt.startech.com
 IT: Guida per l'uso - it.startech.com
 JP: 取扱説明書 - jp.startech.com

Package Contents

- 1 x Hard Drive Adapter Enclosure
- 1 x Set of Mounting Hardware
- 1 x Quick Start Guide

Requirements

Hardware:

Note: The following hardware is not included.

- 2.5" Hard Disk Drive (HDD) or Solid State Drive (SSD).
- 3.5" SATA/SAS host device (e.g. computer, docking system, or backplane).

Note: When installing a SAS Drive into the Hard Drive Adapter Enclosure, a SAS host device must also be used.

- Philips Head Screw Driver
- Computer with Available Drive Cage/Bay
- (OPTIONAL):
 - SATA/SAS Data Cables
 - 15-pin SATA Power Connector
 - Motherboard with an Available SATA Data Header

Product Diagram

Actual product may vary from photos.

Front View:

1. Release Switch
2. Enclosure Door
3. Mounting Holes (3 per side)



Rear View:

1. SATA/SAS Power Port
2. SATA/SAS Data Port



Installation (Tool-less)

Installing a Hard Drive into the Hard Drive Adapter Enclosure:

Warning: Hard drives require careful handling.

1. On the Hard Drive Adapter Enclosure, slide the Release Switch to the right.
2. The Enclosure Door will open giving you access to the 2.5" drive slot.
3. (CAREFULLY) insert a 2.5" HDD or SSD (label side up) into the drive slot. Make sure that the 2.5" HDD or SSD is properly aligned in the Hard Drive Adapter Enclosure to ensure connectivity (with SATA/SAS port).
4. (CAREFULLY) close the Enclosure Door, the 2.5" HDD or SSD will slide into the Hard Drive Adapter Enclosure and connect to the drive connector, securing the 2.5" HDD or SSD in place.

Mounting

Screw Mount:

Recommended: Leave space around the Hard Drive Adapter Enclosure, when installing it into a PC or server chassis to ensure proper airflow and heat dissipation.

1. Insert the Hard Drive Adapter Enclosure into the Drive Cage/Bay label side up.
2. On the Drive Cage/Bay, align the mounting screw holes (on each side) with the corresponding Mounting Hole on the Hard Drive Adapter Enclosure.
3. Insert a screw (included) into each of the Mounting Holes.
4. Tighten the screws, making sure not to over-tighten.

Tool-less Mount:

For instructions on how to mount the Hard Drive Adapter Enclosure using a tool-less mount, refer to the manufacturer's manual for your PC.

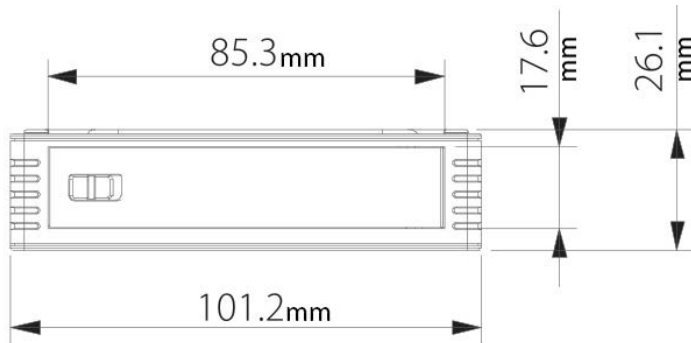
Connecting

Connecting the Hard Drive Adapter Enclosure to a Motherboard:

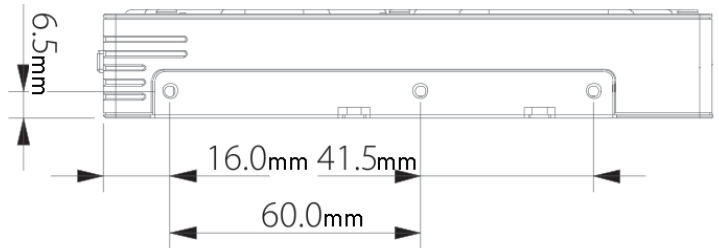
1. On the Hard Drive Adapter Enclosure, connect one end of the SATA/SAS Data Cable into the SATA/SAS data port.
2. On the Motherboard, connect the other end of the SATA Data Cable into an available SATA/SAS port.
3. Connect 15-pin SATA Power Connector from the PC or server power supply to the SATA/SAS Power Port on the Hard Drive Adapter Enclosure.

Product Dimensions

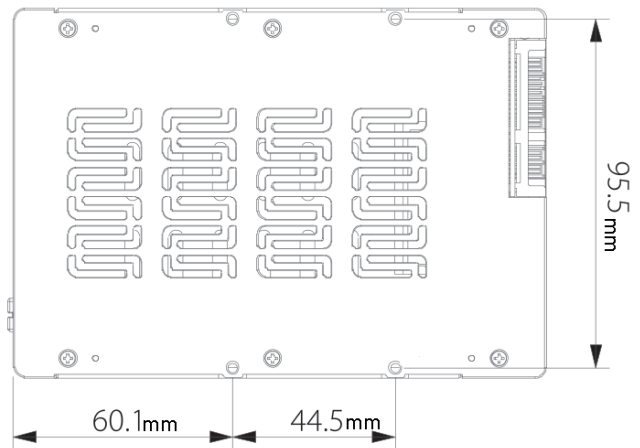
Front View



Side View



Bottom View



FCC Compliance Statement

This equipment has been tested and found to comply with the limits for a Class B digital device, pursuant to Part 15 of the FCC rules. These limits are designed to provide reasonable protection against harmful interference when the equipment is operated in a commercial environment. This equipment generates, uses and can radiate radio frequency energy and, if not installed and used in accordance with the instruction manual, may cause harmful interference to radio communications. Operation of this equipment in a residential area is likely to cause harmful interference in which case the user will be required to correct the interference at his own expense.

This device complies with part 15 of the FCC Rules. Operation is subject to the following two conditions: (1) This device may not cause harmful interference, and (2) this device must accept any interference received, including interference that may cause undesired operation.

Changes or modifications not expressly approved by StarTech.com could void the user's authority to operate the equipment.

Industry Canada Statement

This Class B digital apparatus complies with Canadian ICES-003.
Cet appareil numérique de la classe [B] est conforme à la norme NMB-003 du Canada.

CAN ICES-3 (B)/NMB-3(B)

Use of Trademarks, Registered Trademarks, and other Protected Names and Symbols

This manual may make reference to trademarks, registered trademarks, and other protected names and/or symbols of third-party companies not related in any way to StarTech.com. Where they occur these references are for illustrative purposes only and do not represent an endorsement of a product or service by StarTech.com, or an endorsement of the product(s) to which this manual applies by the third-party company in question. Regardless of any direct acknowledgement elsewhere in the body of this document, StarTech.com hereby acknowledges that all trademarks, registered trademarks, service marks, and other protected names and/or symbols contained in this manual and related documents are the property of their respective holders.

Technical Support

StarTech.com's lifetime technical support is an integral part of our commitment to provide industry-leading solutions. If you ever need help with your product, visit www.startech.com/support and access our comprehensive selection of online tools, documentation, and downloads.
For the latest drivers/software, please visit www.startech.com/downloads

Warranty Information

This product is backed by a two year warranty.
In addition, StarTech.com warrants its products against defects in materials and workmanship for the periods noted, following the initial date of purchase. During this period, the products may be returned for repair, or replacement with equivalent products at our discretion. The warranty covers parts and labor costs only. StarTech.com does not warrant its products from defects or damages arising from misuse, abuse, alteration, or normal wear and tear.

Limitation of Liability

In no event shall the liability of StarTech.com Ltd. and StarTech.com USA LLP (or their officers, directors, employees or agents) for any damages (whether direct or indirect, special, punitive, incidental, consequential, or otherwise), loss of profits, loss of business, or any pecuniary loss, arising out of or related to the use of the product exceed the actual price paid for the product. Some states do not allow the exclusion or limitation of incidental or consequential damages. If such laws apply, the limitations or exclusions contained in this statement may not apply to you.