

FEATURE HIGHLIGHTS

- HIGH BRIGHTNESS 5,200AL
- BIG ZOOM 1.6X
- EASY INSTALLATION AND CONTROL
- VERTICAL LENS SHIFT
- DIGITAL SHRINK



Product Specifications

Projection System	DLP	
Native Resolution	WXGA 1280 x 800 pixels	
Brightness	5,200 ANSI Lumens	
Contrast Ratio	3,000 : 1	
Display Color	1.07 Billion Colors	
Aspect Ratio	Native 16 : 10 (5 aspect ratio selectable)	
Projection Size	30"~300"	
Lens	F=2.45~3.07, f=15.78~25.12	
Throw Ratio	1.12~1.8	
Zoom Ratio	1.6x	
Lens Shift	Vertical: +2.5%	
Light Source Type	370W	
Light Source Life (Normal / Eco)*	2,000 / 2,500 Hours	
Keystone Adjustment	2D, Vertical & Horizontal ± 30 degrees	
Projection Offset	105%	
Resolution Support	VGA (640 x 480) to UXGA (1600 x 1200)	
Horizontal Frequency	15K~102KHz	
Vertical Scan Rate	23~120Hz	
Compatibility	HDTV Compatibility	480i, 480p, 576i, 576p, 720p, 1080i, 1080p
	Video Compatibility	NTSC, PAL, SECAM
Interface	Computer Input (D-sub 15pin)	x 1 (Share with component)
	Monitor Output (D-sub 15pin)	x 1
	Composite Video Input (RCA)	x 1
	S-Video Input (Mini DIN 4pin)	x 1
	HDMI	x 2 (one with MHL)
	Audio Input (Mini Jack)	x 1
	Audio L / R Input (RCA)	x 1
	Audio Output (Mini Jack)	x 1
	Speaker	10W x 2
	LAN (RJ45)	x 1 (LAN control)
	USB (Type A)	x 1 (5V / 1.5A Power Supply)
	USB (Type MINI-B)	x 1 (Download)
	RS232 (DB-9pin)	x 1
	DC 12V Trigger	x 1
	IR Receiver	x 2
Dimensions (W x H x D)	411.4 x 118.4 x 267.5 mm	
Weight	4.9 kg	
Power Supply	AC100 to 240V, 50 to 60 Hz	
Power Consumption	Max 594W / Normal 500W / Eco 400W	
Power Management Function	Automatic power off after 20 minutes without a display source	
Audible Noise	36 / 33 dBA (Normal / Economic mode)	
On-Screen Display Languages	Arabic / Bulgarian / Croatian / Czech / Danish / Dutch / English / Finnish / French / German / Greek / Hindi / Hungarian / Italian / Indonesian / Japanese / Korean / Norwegian / Polish / Portuguese / Romanian / Russian / Simplified Chinese / Spanish / Swedish / Turkish / Thai / Traditional Chinese (28 Languages)	
Picture Modes**	Bright / Presentation / sRGB / Cinema (3D) / User 1 / User 2	
Accessories	Standard	Optional
	Remote Control with Battery	Spare Lamp Kit (P/N: 5JJDP05.001)
	Power Cord (by region)	Ceiling Mount (P/N: 5JJAM10.001)
	User Manual CD	3D Glasses (P/N: 5JJ9H25.001)
	Quick Start Guide	
	Warranty Card (by region)	
	VGA (D-sub 15pin) Cable	

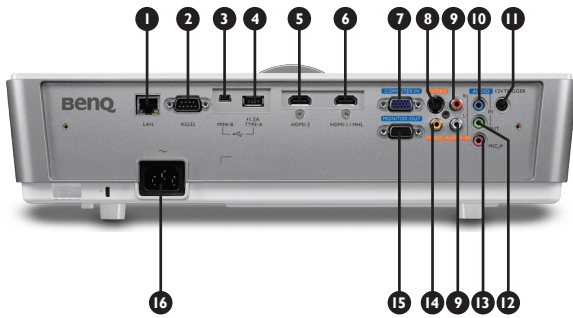
*Lamp life results will vary depending on environmental conditions and usage. Actual product's features and specifications are subject to change without notice.

** Default mode is Presentation. When 3D is on, Picture Modes only shows 3D. When 3D is off, it is not shown in Picture Modes.

SW921+
BenQ Digital Projector

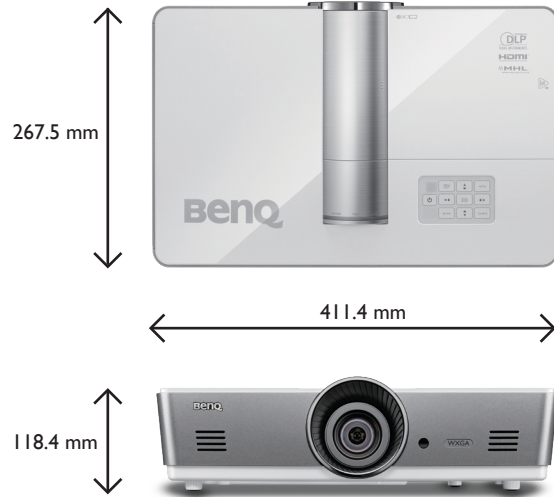
BenQ

Input and Output Terminals



- | | |
|----------------------------|-----------------------|
| 1 RJ45 LAN Input (control) | 9 Audio (L / R) Input |
| 2 RS-232 Control Port | 10 Audio Input |
| 3 USB Mini-B Type Port | 11 MIC Input |
| 4 USB A Type Port | 12 Audio Output |
| 5 HDMI 1 Input | 13 DV 12V Trigger |
| 6 HDMI 2 Input | 14 Video Input |
| 7 RGB Input | 15 RGB Signal Output |
| 8 S-Video Input | 16 Power Cord Inlet |

Dimensions



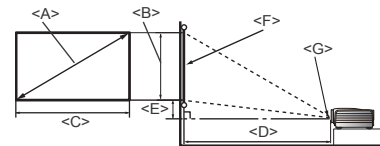
Distance Chart

Screen Dimensions				Projection Distance <D>			Lowest / Highest Lens position <E>
Diagonal <A>	Height 	Width <C>	Min. Distance	Average	Max. Distance		
(inch)	(mm)	(cm)	(cm)	(cm)	(cm)	(cm)	
30	762	41	65	73	95	117	3.0
40	1016	54	86	97	126	156	4.0
60	1524	81	129	145	189	233	6.1
80	2032	108	172	193	252	311	8.1
100	2540	135	215	242	315	388	10.1
120	3048	161	259	290	378	466	12.1
140	3556	189	302	338	441	543	14.1
150	3810	202	323	362	472	582	15.1
160	4064	215	345	386	504	621	16.2
170	4318	229	366	411	535	660	17.2
180	4572	242	388	435	566	698	18.2
190	4826	256	409	459	598	737	19.2
200	5080	269	431	483	629	776	20.2
240	6096	323	517	579	755	931	24.2
250	6350	337	539	604	787	970	25.2
300	7620	404	646	724	944	1164	30.3

To optimize your projection quality, we suggest to do the projection within non-gray area.

Installation for a 16:10 ratio screen

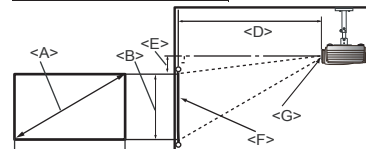
Floor Installation



<F>: Screen

<G>: Center of lens

Ceiling Installation

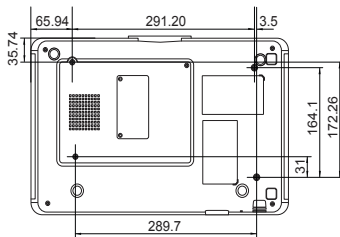


<F>: Screen

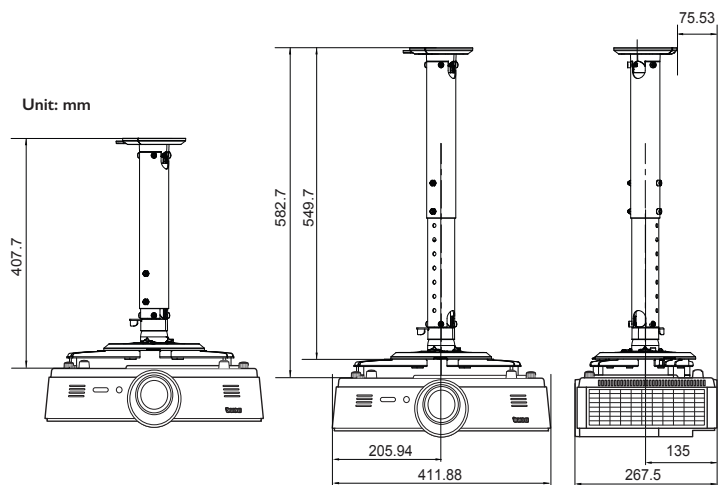
<G>: Center of lens

Ceiling Mount Chart

© Ceiling mount screws: M5
(Max. L = 25 mm;
Min. L = 20 mm)



Unit: mm



BenQ Europe B.V.

Meerenakkerweg 1-17
5652 AR Eindhoven
The Netherlands
Tel: +31 88 8889200

BenQ.eu

© 2018 BenQ Corp. Specifications may vary by region, please visit your local stores for details. Actual product's features and specifications are subject to change without notice. This material may include corporate names and trademarks of third parties which are the properties of the third parties respectively.

BenQ