



# Lexmark MS617dn



MS617dn

## Speed and productivity. More capacity for larger jobs.

The Lexmark MS617dn is a hardworking printer that offers you more speed (up to 47 pages per minute) and available input capacity up to 2,300 sheets. With built-in features like advanced security, Gigabit networking, 2-sided printing, 6.0 cm colour display and keypad to simplify tasks, available High Yield and Extra High Yield cartridges, and mobile print capability,\* you'll be amazed at the value.

## Faster, with quality output

Your printing will be ready before you know it. The MS617dn features 256MB of memory (expandable to 1.2GB) and Gigabit networking, so it can print crisp text, graphics and images at up to 47 pages per minute, with the first printed page in as little as 6.5 seconds. Lexmark's exclusive Unison™ Toner delivers rich blacks and smooth greys from the first print to the last, without fading.



Up to 47 ppm



Network



Duplex



Unison Toner



Security



Mobility

## Security. Confidential Print. Mobile print capability.

Extensive network security features and protocols protect your device, information and network from unauthorised access. Keep your sensitive documents safe by enabling the Confidential Print feature, which requires entering a customised, unique PIN on the device's keypad before the document can be printed.

Print from mobile devices using an optional Wi-Fi adapter or Lexmark's free Mobile Print app.



## 4-year Guarantee

Given the choice, wouldn't you prefer to buy a device that protects your investment with a guarantee? The affordable MS617dn is so well made, we back it with a guarantee that covers repair actions including the cost of spare parts if they are needed in the first four years\*\*. The guarantee also offers you free 24-hour online support and access to technical support by phone during working hours.

\* Requires free Lexmark Mobile Print app with Android or iOS mobile device

\*\*Offer applies if the product is registered within 90 days from the date of purchase. Supplies and/or consumable parts, such as fuser or transfer unit, are excluded. Please refer to the detailed terms and conditions available at [lexmark.com/myguarantee](http://lexmark.com/myguarantee).

## Monochrome laser printer

### Extra High Yield cartridges produce up to 20,000 pages

Available Extra High Yield cartridges produce up to 20,000 pages and never require shaking, which minimises interruptions and reduces cost per page. The Lexmark print system and Unison™ Toner ensure consistent print quality throughout the life of the cartridge to prevent wasted prints.

### User-friendly

The MS617dn is simple to install, easy to use and offers full compatibility with nearly every operating system and network, so you'll be up and running in minutes. It's built to last, so you'll easily be able to print up to 16,000 pages per month, thanks to our state-of-the-art paper handling technology and long-life consumables.

Lexmark's Mobile Print app for iOS and Android devices provides a simple and consistent user experience for printing from mobile devices. It features simple printer discovery and mobile print.

A front USB port lets you print directly from a USB key.

### Eco-friendly

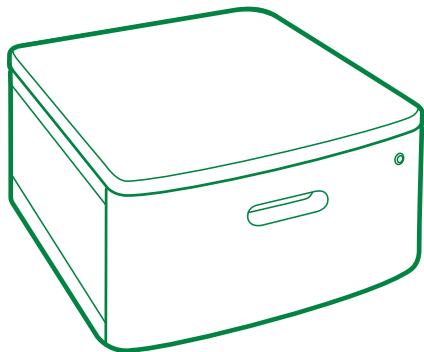
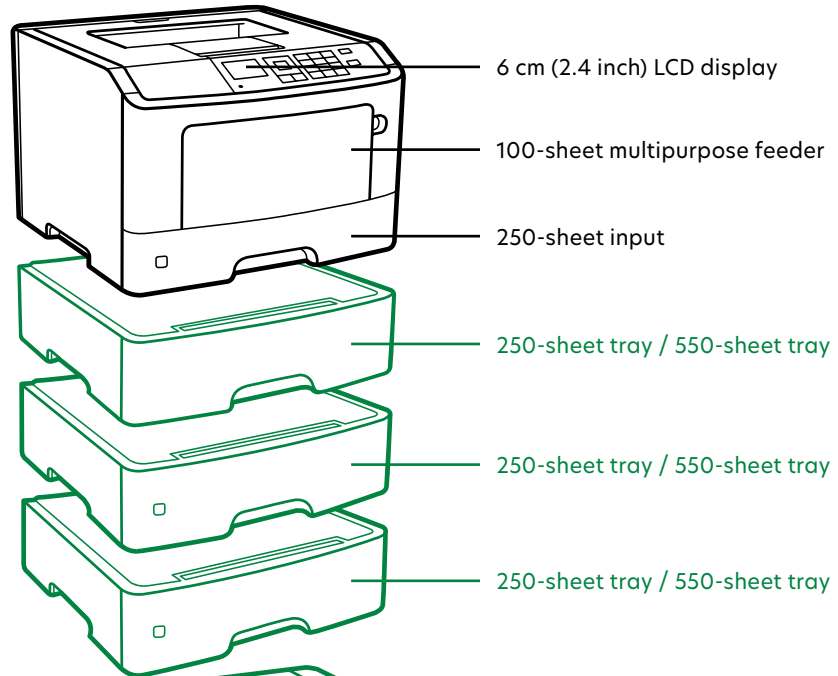
Built-in two-sided printing reduces paper use. The instant warm-up fuser saves energy and delivers the first printed page as fast as 6.5 seconds. Select an energy-saving mode (Quiet, Hibernate or Eco) to automatically minimise noise and energy consumption.

Through LCCP, the Lexmark Cartridge Collection Programme, Lexmark offers a free and easy way for you to return your empty cartridges for sustainable recycling or remanufacturing.

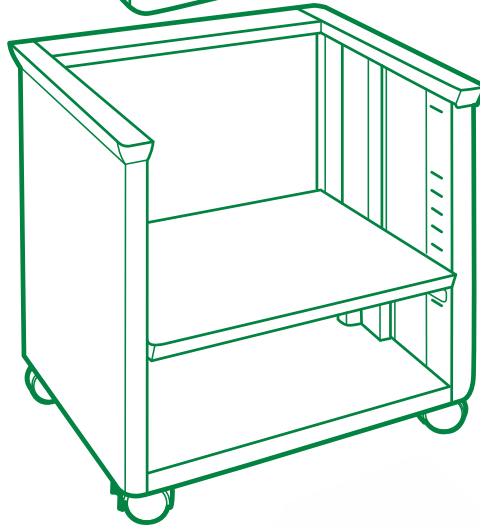


Product specifications		Lexmark MS617dn
<b>Printing</b>		
Display	6 cm (2.4 inch) colour LCD display	
Print Speed: Up to <sup>2</sup>	Black: 47 ppm	
Time to First Page: As fast as	Black: 6.5 seconds	
Print Resolution	Black: 600 x 600 dpi, 2400 Image Quality, 1200 x 1200 dpi, 1200 Image Quality	
Memory / Processor	standard: 256 MB / maximum: 1280 MB / Dual Core, 800 MHz	
Hard Disk	Not Available	
Recommended Monthly Page Volume <sup>7</sup>	3,000 - 16,000 Pages	
Maximum Monthly Duty Cycle: Up to <sup>6</sup>	175,000 pages per month	
<b>Supplies<sup>3</sup></b>		
Laser Cartridge Yields (up to) <sup>1</sup>	20,000-page Extra High Yield Cartridge, 8,500-page High Yield Cartridge, 2,500-page Black Cartridge	
Imaging Unit Estimated Yield: Up to <sup>4</sup>	60,000 pages, based on 3 average letter/A4-size pages per print job and ~ 5% coverage	
Cartridge(s) Shipping with Product <sup>1</sup>	5,000-page Starter Return Program Toner Cartridge	
<b>Paper Handling</b>		
Included Paper Handling	250-Sheet Output Bin, Integrated Duplex, 100-Sheet Multipurpose Feeder, 550-Sheet Input	
Optional Paper Handling	550-Sheet Lockable Tray, 550-Sheet Tray, 250-Sheet Tray	
Paper Input Capacity: Up to	Standard: 650 pages 75 gsm bond / Maximum: 2,300 pages 75 gsm bond	
Paper Output Capacity: Up to	Standard: 250 pages 75 gsm bond / Maximum: 250 pages 75 gsm bond	
Media Types Supported	Refer to the Card Stock & Label Guide., Transparencies, Plain Paper, Paper Labels, Envelopes, Card Stock	
Media Sizes Supported	A6, Oficio, Universal, Statement, Letter, Legal, JIS-B5, Folio, Executive, DL Envelope, A5, A4, 9 Envelope, 7 3/4 Envelope, 10 Envelope	
<b>General Information<sup>5</sup></b>		
Standard Ports	Front USB 2.0 Specification Hi-Speed Certified port (Type A), Gigabit Ethernet (10/100/1000), USB 2.0 Specification Hi-Speed Certified (Type B)	
Optional Network Ports	MarkNet N8352 802.11b/g/n Wireless	
Noise Level: Operating	Print: 55 dBA	
Specified Operating Environment	Altitude: 0 - 2896 Meters (9,500 Feet), Humidity: 8 to 80% Relative Humidity, Temperature: 16 to 32°C (60 to 90°F)	
Product Guarantee	4-Year Guarantee - Upon Registration Only	
Size (mm - H x W x D) / Weight	306 x 399 x 382 mm / 15.7 kg	
Part Number	355C482	

<sup>1</sup>Average standard page yield value declared in accordance with ISO/IEC 19752. <sup>2</sup>Print and copy speeds measured in accordance with ISO/IEC 24734 and ISO/IEC 24735 respectively (ESAT). For more information see: [www.lexmark.com/ISOspeeds](http://www.lexmark.com/ISOspeeds). <sup>3</sup>Product functions only with replacement cartridges designed for use in a specific geographical region. See [www.lexmark.com/regions](http://www.lexmark.com/regions) for more details. <sup>4</sup>Actual Yield may vary based on other factors such as device speed, paper size and feed orientation, toner coverage, tray source, percentage of black-only printing and average print job complexity. <sup>5</sup>Printers are sold subject to certain license/agreement conditions. See [www.lexmark.com/printerlicense](http://www.lexmark.com/printerlicense) for details. <sup>6</sup>"Maximum Monthly Duty Cycle" is defined as the maximum number of pages a device could deliver in a month using a multishift operation. This metric provides a comparison of robustness in relation to other Lexmark printers and MFPs. <sup>7</sup>"Recommended Monthly Page Volume" is a range of pages that helps customers evaluate Lexmark's product offerings based on the average number of pages customers plan to print on the device each month. Lexmark recommends that the number of pages per month be within the stated range for optimum device performance, based on factors including: supplies replacement intervals, paper loading intervals, speed, and typical customer usage.



Swivel cabinet



Adjustable printer stand

■ Standard  
■ Optional