

Slim Desk Mount Articulating Monitor Arm with Cable Management

ARMSLIM



*actual product may vary from photos

DE: Bedienungsanleitung - de.startech.com

FR: Guide de l'utilisateur - fr.startech.com

ES: Guía del usuario - es.startech.com

IT: Guida per l'uso - it.startech.com

NL: Gebruiksaanwijzing - nl.startech.com

PT: Guia do usuário - pt.startech.com

For the most up-to-date information, please visit: www.startech.com

Use of Trademarks, Registered Trademarks, and other Protected Names and Symbols

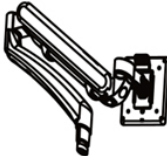

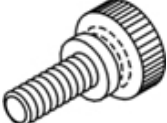


This manual may make reference to trademarks, registered trademarks, and other protected names and/or symbols of third-party companies not related in any way to StarTech.com. Where they occur these references are for illustrative purposes only and do not represent an endorsement of a product or service by StarTech.com, or an endorsement of the product(s) to which this manual applies by the third-party company in question. Regardless of any direct acknowledgement elsewhere in the body of this document, StarTech.com hereby acknowledges that all trademarks, registered trademarks, service marks, and other protected names and/or symbols contained in this manual and related documents are the property of their respective holders.

Table of Contents

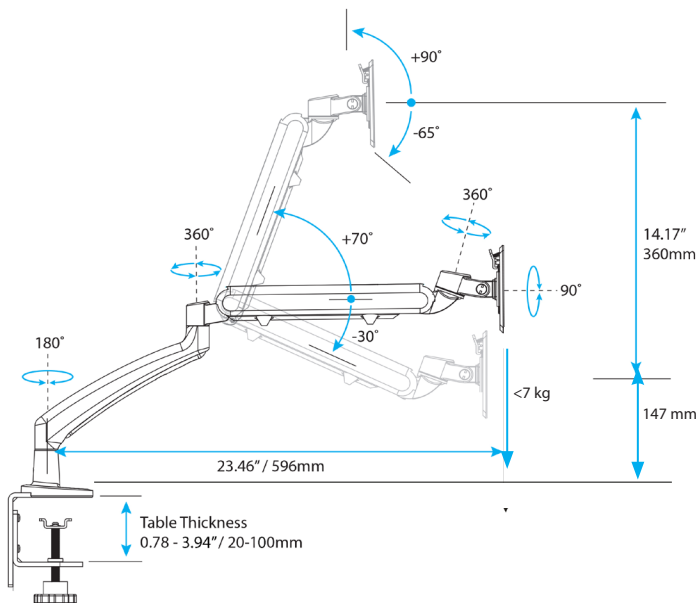
Introduction	1
Packaging Contents	1
Product Overview	2
Installation	3
Desk / Grommet Mounting	3
Attaching the Display	7
Adjusting Monitor Mount Resistance	9
Specifications	11
Technical Support	12
Warranty Information	12

Introduction

Packaging Contents

<p>1</p>  <p>Monitor Arm Qty: 1</p>	<p>2</p>  <p>2-in-1 Desk/Grommet Clamp Qty: 1</p>	<p>3</p>  <p>Thumb Screws Qty: 4</p>
<p>4</p>  <p>6mm Allen Wrench Qty: 1</p>	<p>5</p>  <p>3mm Allen Wrench Qty: 1</p>	

Product Overview



Installation

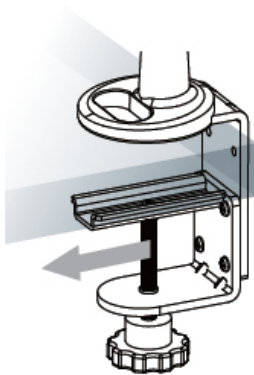
Warning! It is the installer's responsibility to ensure that the combined weight of all components does not exceed the maximum 7 kg (15.43 lbs) weight capacity of the mounting arm.

Desk / Grommet Mounting

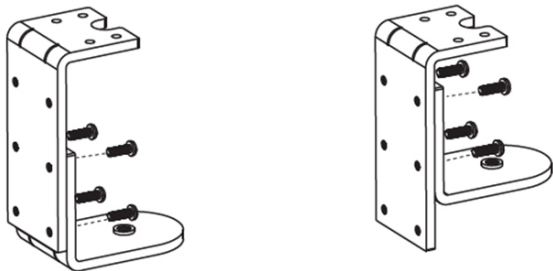
The Monitor Arm can be clamped to a desk / table, or mounted through a grommet hole. Instructions for both will be provided in the following sections.

Desk Mount

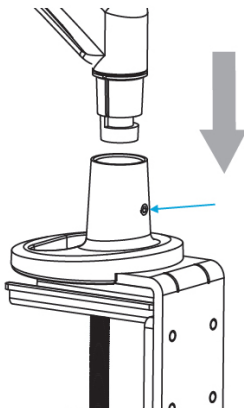
1. Slide the 2-in-1 Clamp (2) opening around the edge of your desk in your desired location. Tighten by hand to secure, ensuring that the Pressure Plate is making full contact with the bottom of the desk surface.



Note: The Desk Clamp can support a desk / table thickness from $\frac{3}{4}$ - 3.94 in (20 - 100 mm). Depending on the thickness of your desk / table, the clamp can be adjusted smaller by removing the 4 screws and raising the bottom portion of the clamp as shown below.



2. Slide the Monitor Arm (1) onto the base and tighten the set screw on the back of the base, using the 3mm Allen Wrench (5).

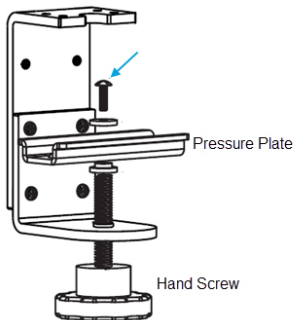


Grommet Mount

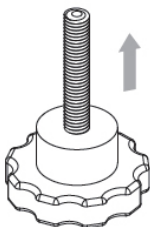
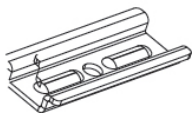
1. To convert the 2-in-1 Clamp to a Grommet Mount, turn the Clamp upside-down and remove the 4 screws that join the clamp to the base of the monitor arm, using the 3mm Allen Wrench (5).



2. Remove the Phillips Screw and the 2 Washers from the top of the Pressure Plate and then slide the Hand Screw out of the clamp.

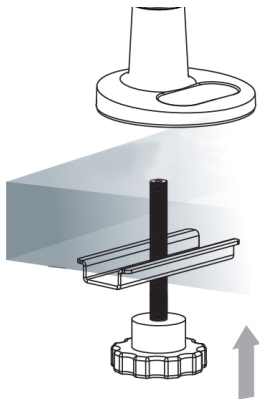


3. Slide the Pressure Plate back onto the Hand Screw (without the Washers or Phillips Screw from above).

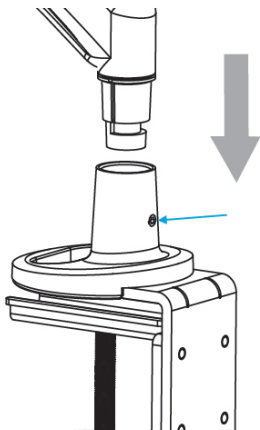


4. Place the base of the Monitor Arm (1) over the grommet hole and thread the Hand Screw from below until secure. Ensure that the Pressure Plate is making full contact with the desk surface.

Note: The Grommet Clamp can support a desk / table thickness from $\frac{3}{4}$ - 1.97 in (20 - 50 mm)

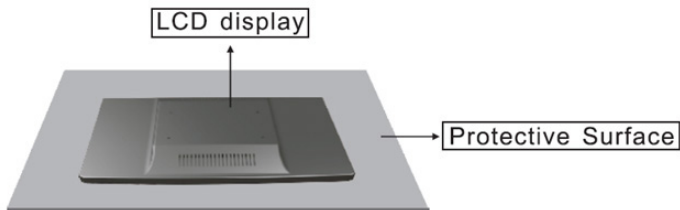


5. Slide the Monitor Arm (1) onto the base and tighten the set screw on the back of the base, using the 3mm Allen Wrench (5).

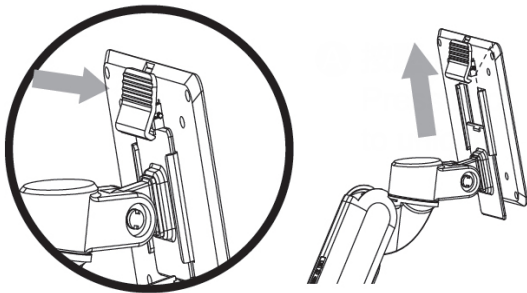


Attaching the Display

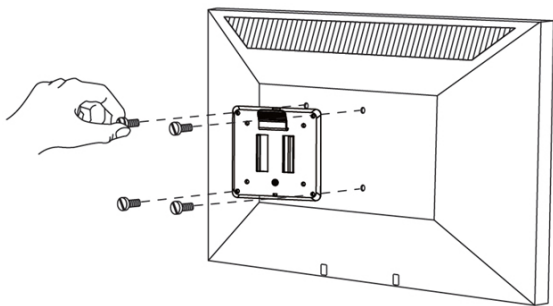
1. Carefully place your display face down on a protective surface to access the mounting points.



2. Press in on the latch at the top of the Monitor Arm and pull up to remove the Mounting Bracket.

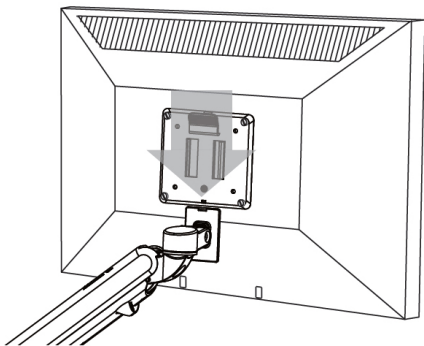


3. Attach the display to the Mount Bracket using the 4 Thumb Screws (3).



Warning: Do not over-tighten the screws and stop immediately if you encounter resistance to avoid damage to your display. Ensure that all screws being used are the same length and thread type.

4. Slide the monitor mount back onto the arm until it clicks into place.



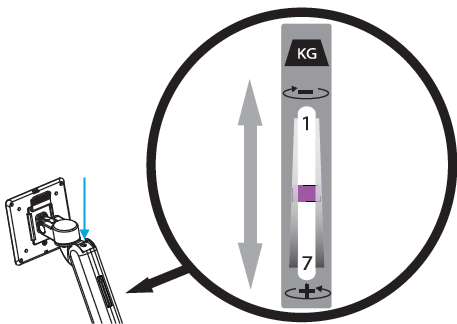
Adjusting Monitor Mount Resistance

Warning: Forced movement of the Mount Bracket without loosening the screws may damage the product or the mounted display.

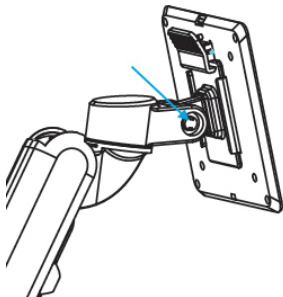
Always support your display from underneath when making any adjustments to the LCD Arm or Mount Bracket to avoid damage to the display.

Note: For all adjustments outlined below, turning the screw clockwise will increase the resistance, while turning the screw counter-clockwise will decrease resistance.

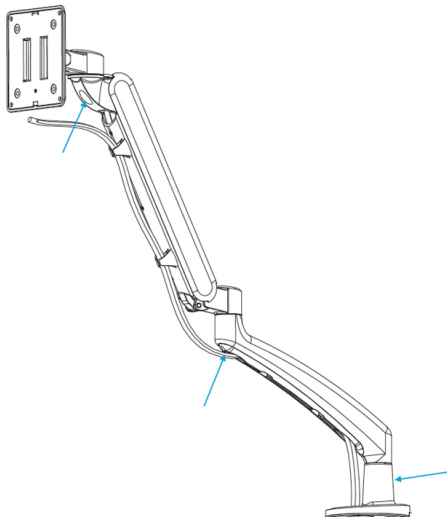
To increase / decrease the spring resistance, adjust the screw located on the top of the arm, using the 6mm Allen Wrench (4). The indicator area on the arm is for reference only, but can be used to approximate the appropriate resistance for your monitor by weight.



To increase / decrease the tilt resistance, adjust the set screw located on the side of the Monitor Mount joint, using the 6mm Allen Wrench (4).



To increase / decrease swivel resistance, adjust the set screws located beneath the swivel points using a Phillips screwdriver, or on the base of the arm using the 3mm Allen Wrench (5).



Specifications

Weight Capacity	15.43 lbs (7 kg)
Max Display Size	26"
VESA Compatibility	75x75 mm and 100x100 mm
Maximum Mounting Surface Thickness	3.94 in (100 mm)

Technical Support

StarTech.com's lifetime technical support is an integral part of our commitment to provide industry-leading solutions. If you ever need help with your product, visit www.startech.com/support and access our comprehensive selection of online tools, documentation, and downloads.

For the latest drivers/software, please visit www.startech.com/downloads

Warranty Information

This product is backed by a two year warranty.

In addition, StarTech.com warrants its products against defects in materials and workmanship for the periods noted, following the initial date of purchase. During this period, the products may be returned for repair, or replacement with equivalent products at our discretion. The warranty covers parts and labor costs only. StarTech.com does not warrant its products from defects or damages arising from misuse, abuse, alteration, or normal wear and tear.

Limitation of Liability

In no event shall the liability of StarTech.com Ltd. and StarTech.com USA LLP (or their officers, directors, employees or agents) for any damages (whether direct or indirect, special, punitive, incidental, consequential, or otherwise), loss of profits, loss of business, or any pecuniary loss, arising out of or related to the use of the product exceed the actual price paid for the product. Some states do not allow the exclusion or limitation of incidental or consequential damages. If such laws apply, the limitations or exclusions contained in this statement may not apply to you.

Hard-to-find made easy. At StarTech.com, that isn't a slogan. It's a promise.

StarTech.com is your one-stop source for every connectivity part you need. From the latest technology to legacy products — and all the parts that bridge the old and new — we can help you find the parts that connect your solutions.

We make it easy to locate the parts, and we quickly deliver them wherever they need to go. Just talk to one of our tech advisors or visit our website. You'll be connected to the products you need in no time.

Visit www.startech.com for complete information on all StarTech.com products and to access exclusive resources and time-saving tools.

StarTech.com is an ISO 9001 Registered manufacturer of connectivity and technology parts. StarTech.com was founded in 1985 and has operations in the United States, Canada, the United Kingdom and Taiwan servicing a worldwide market.