

DS-1280ZJ-DM21

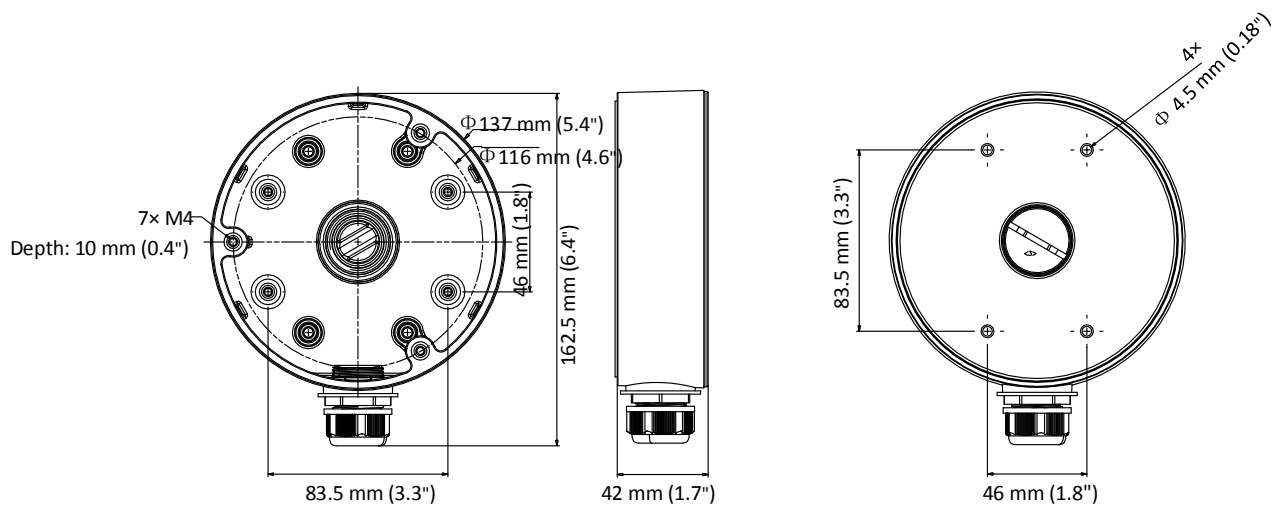
Junction Box for Dome Camera



Features

- Aluminum alloy material with surface spray treatment
- Side inlet and bottom inlet
- The bottom waterproof cover and the side gland nut are interchangeable
- Waterproof design

Dimension



Available Model

DS-1280ZJ-DM21

Parameter

| Model | DS-1280ZJ-DM21 |
|------------|---|
| Parameters | Junction Box for Dome Camera |
| Appearance | Hikvision White |
| Material | Aluminum Alloy |
| Dimension | $\Phi 137$ mm \times 42 mm (5.4" \times 1.7") |
| Weight | 280 g (0.62 lb.) |

Notes

- The junction box should be installed on the flat surface.
- Waterproof rubber is necessary for outdoor application.
- The wall must be capable of supporting at least 3 times as much as the total weight of the camera and the mounting bracket.
- The maximum load capacity of the junction box is 4.5 kg (9.9 lb.).