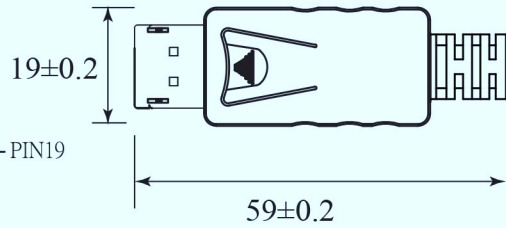
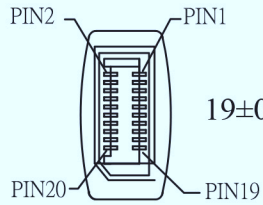
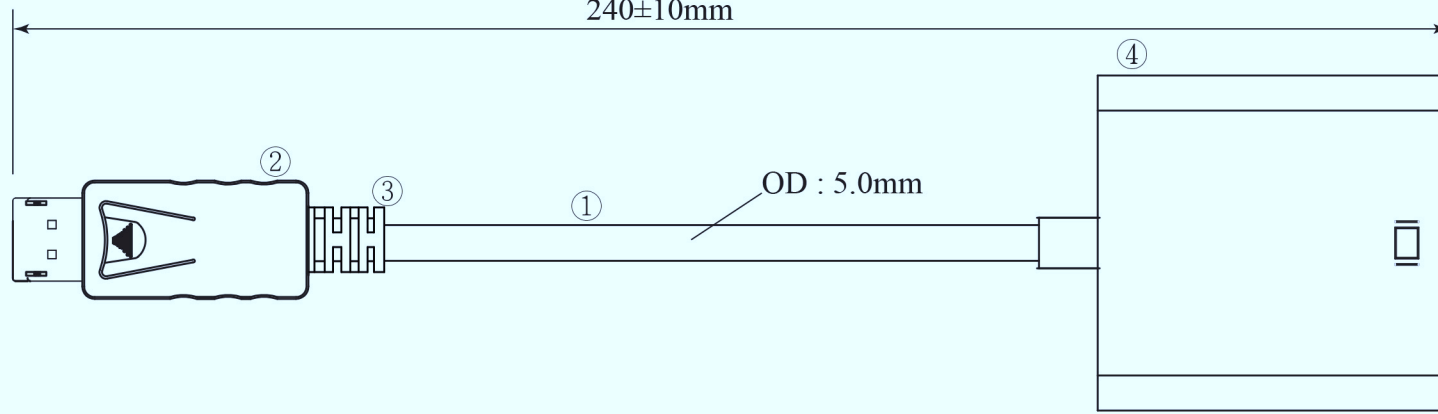
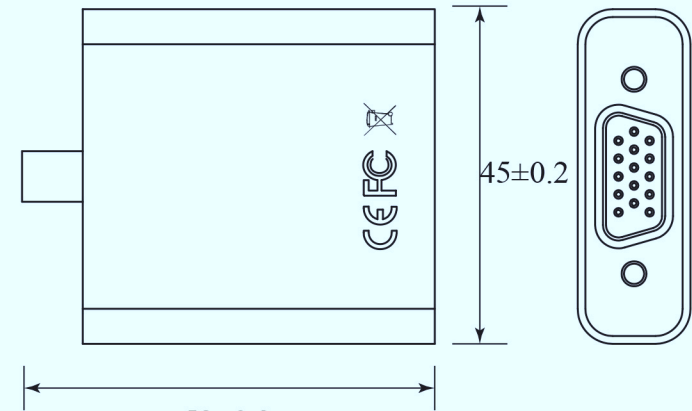


240±10mm



DisplayPort M



VGA F

PIN ASSIGNMENT:

DisplayPort M	1	3	2	4	6	5	15	17	16	18	13	14	19	20	GND
VGA F	1	3	2	4	6	5	15	17	16	18	13	14	19	20	GND
	TP		GND	TP		GND	TP		GND						

OPEN/SHORT TEST: 100% TEST.

INSULATION: 5M.

RoHS Compliant

④	VGA F 15P Assembly Black Shell	1PCS
③	Black 45P PVC	20g
②	DisplayPort M20 Pin (Black Insulator, Gold Plated)	1PCS
①	UL20276 (1P#32+D+AM)x3+#32x5C+#32x5C+AE+B(85%ALB)Black OD=5.0mm	1PCS
No.	Description	Qty

Company		Goods Code		Draw		Date	2015.06.23	D		
ITEM NO.	26-0700	Drawing Evidence		Check		Date		C		
Description	DisplayPort M to VGA F Converter			Approval		Date		B		
								VER. A	REVISE	Date