



Super HD Security Camera

4 Megapixel Bullet Camera



INSTRUCTION MANUAL

Before you begin

Limited Warranty Terms & Conditions

Swann Communications warrants this product against defects in workmanship and material for a period of one (1) year from its original purchase date. You must present your receipt as proof of date of purchase for warranty validation. Any unit which proves defective during the stated period will be repaired without charge for parts or labour or replaced at the sole discretion of Swann. The end user is responsible for all freight charges incurred to send the product to Swann's repair centres. The end user is responsible for all shipping costs incurred when shipping from and to any country other than the country of origin.

The warranty does not cover any incidental, accidental or consequential damages arising from the use of or the inability to use this product. Any costs associated with the fitting or removal of this product by a tradesman or other person or any other costs associated with its use are the responsibility of the end user. This warranty applies to the original purchaser of the product only and is not transferable to any third party. Unauthorized end user or third party modifications to any component or evidence of misuse or abuse of the device will render all warranties void.

By law some countries do not allow limitations on certain exclusions in this warranty. Where applicable by local laws, regulations and legal rights will take precedence. For Australia: Our goods come with guarantees which cannot be excluded under Australian Consumer Law. You are entitled to a replacement or refund for a major failure and for compensation for any other reasonably foreseeable loss or damage. You are also entitled to have the goods repaired or replaced if the goods fail to be of acceptable quality and the failure does not amount to major failure.

FCC Verification

NOTE: This equipment has been tested and found to comply with the limits for Class B digital device, pursuant to part 15 of the FCC Rules. These limits are designed to provide reasonable protection against harmful interference in a residential installation. This equipment generates, uses and can radiate radio frequency energy and, if not installed and used in accordance with the instructions, may cause harmful interference to radio communications. However, there is no guarantee that interference will not occur in a particular installation. If this equipment does cause harmful interference to radio or television reception, which can be determined by turning the equipment off and on, the user is encouraged to try to correct the interference by one of the following measures:

- Reorient or relocate the receiving antenna
- Increase the separation between the equipment and the receiver
- Connect the equipment into an outlet on a circuit different from that to which the receiver is connected
- Consult the dealer or an experienced radio/TV technician for help

These devices comply with part 15 of the FCC Rules. Operation is subject to the following two conditions:

- These devices may not cause harmful interference, and
- These devices must accept any interference received, including interference that may cause undesired operation.

Important Note

All jurisdictions have specific laws and regulations relating to the use of cameras. Before using any camera for any purpose, it is the buyer's responsibility to be aware of all applicable laws and regulations that prohibit or limit the use of cameras and to comply with the applicable laws and regulations.

WARNING

Modifications not approved by the party responsible for compliance could void user's authority to operate the equipment.

IMPORTANT SAFETY INSTRUCTIONS

- Make sure product is fixed correctly and stable if fastened in place.
- Do not operate if wires and terminals are exposed.

Notice about this manual

The content in this manual is for information purposes only and is subject to change without notice. While every effort is made to ensure that this manual is accurate and complete at the time of printing, no liability is assumed for any errors and omissions that may have occurred. As we're constantly making improvements to our products, firmware, software and user manuals, we reserve the right to change the information without prior notice. For the latest updates and information, please visit: <http://support.swann.com>

Welcome

Congratulations on your purchase of this **Swann Super HD Security Camera** with Power Over Ethernet. You've made a fine choice for keeping a watchful eye over your home or business. The camera delivers brilliant and amazingly clear high definition images and videos in both day and nighttime conditions even in complete darkness. Designed in an elegant, unobtrusive weatherproof casing with an integrated 3-axis mounting bracket, the camera is versatile enough to be installed on walls and ceilings - indoors or outdoors and will be an excellent addition to your Swann POE NVR monitoring solution.

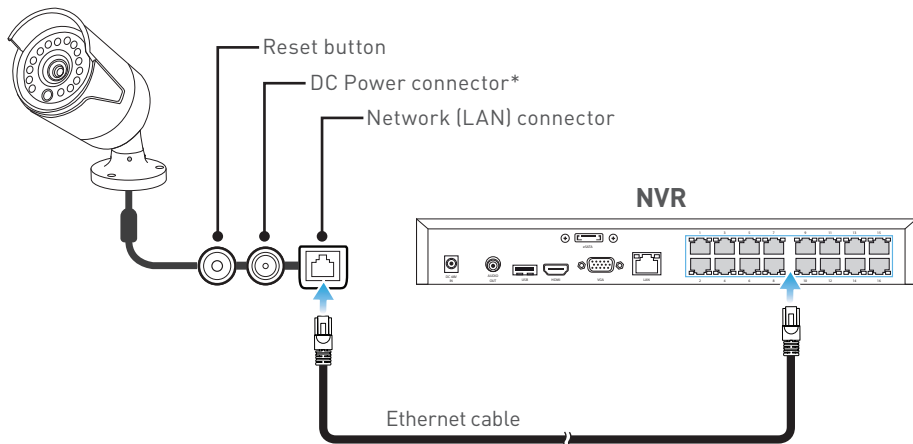
This instruction manual will walk you through the basics of installing and connecting your camera.

Setting up the camera

Connecting the camera to your Swann NVR

This camera uses a single Power Over Ethernet (PoE) connection, a technology that allows the camera to be directly powered over the Ethernet cable from the NVR itself. Simply plug one end of the included Ethernet cable into the "LAN" connector on the camera and plug the other end into any available network video port on the back of your NVR, as shown below.

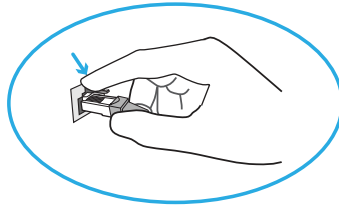
Camera



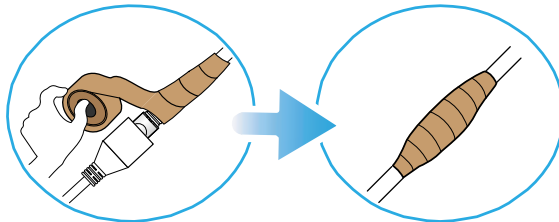
** If you are connecting the camera to your NVR via additional network hardware such as switches and routers that do not support PoE then you can power the camera using this DC 12V input.*

Tips

- Never place strain of any kind on the network cable connection. It's designed to clip into place to prevent slippage, but it won't support any weight and can be easily broken by a sharp tug. Exercise caution.
- When unplugging the network cable from the camera or NVR, press down the locking tab on the network cable plug and gently pull the network cable out.



- Make sure cables are sheltered from moisture, weather and sunlight. The network cable connection was designed and intended for indoor use with computer networking - while it's ideal for handling the massive data loads that network cameras require, it's not weatherproof.
- If you install the camera outside of your home, we highly recommend using waterproof tape to wrap the cable connection area between the camera's network (LAN) port and the extension cable's Ethernet plug, as shown below. Use as much as is necessary for the layer of tape to protect the connection. This will help prevent water or moisture from leaking into the cable which can cause the network cable connection to degrade over time or stop working.



Viewing the camera on your Swann NVR

- After you have connected the camera to your Swann NVR, the camera will be automatically detected and assigned an IP address when you turn on your NVR. If the camera is not detected, check that the Ethernet cable is securely plugged in.
- Provided if all network connections have been correctly set up, the camera should appear on-screen shortly after being plugged in. Cameras are assigned to the first available channel by your NVR in this case, irregardless of which network video port that it was connected to. You can still, however, display the camera on a different channel. Please consult your NVR's user manual for an explanation on how to assign cameras to available channels.
- Camera settings are adjusted automatically by default. You can still manually tweak some settings, such as backlight compensation, exposure and day/night mode, to suit the environment where the camera is installed. From the NVR menu screen, select "Display" on the left sidebar, choose your camera channel and click the "Camera Parameter Set" button. Please consult your NVR's user manual for more information on the camera settings available.

Installing the camera

Choosing a location to install the camera

The camera is very flexible, and can be installed practically anywhere. Some of the things you'll have to consider when choosing a location are:

- What you want to monitor, and where you'll get the best view of it.
- How you're going to connect the camera to your monitoring system. Remember that cables and connections should be kept out of the weather.
- How to keep the camera out of harm's way.

General Guidelines

- Try to place the camera in a position that a potential security threat will find it difficult to avoid detection. A strategy which is often effective is to monitor entrances and exits - after all, a security threat has to get in somewhere.
- The internal components of the camera can be damaged by prolonged exposure to direct sunlight. Don't let direct sunlight into the lens!
- The camera gets great images when it's in the shade, looking at subjects that are well lit. Don't place the camera in bright light and have it facing shade or darkness.
- Bright light sources to the sides of, or behind the subject will interfere with your images.
- The camera's night vision will give well-exposed images if the area is dark. However, if there's a bright point source in the camera's view (a streetlight, car headlights or similar) then it might not engage night vision mode.
- Typically, the best view is obtained approximately 7ft (2m) to 10ft (3m) high, looking slightly downwards.
- The camera's casing is resistant to water, different weather conditions and tampering. It would take an overwhelming event of this kind to damage the housing of the camera (severe weather such as hurricanes or someone intentionally damaging the lens would be enough). However, the cable and connector are vulnerable and require protection.

Mounting the camera

The camera can be mounted onto a flat surface using screws. The surface must have sufficient strength to hold the camera.

- Position the camera in the location you want to mount it, and mark the screw holes on the surface to position the screws or attach the supplied mounting template on the surface. Then, using appropriate screws for the surface you're fixing the camera to, secure the camera into place.
- If you're mounting to a wooden surface, then screw the camera directly to the surface.
- If you're mounting to a masonry surface (bricks, concrete or similar) then you'll need to use the included wall plugs.

Adjusting the camera angle

- Using the supplied L-wrench, loosen the appropriate hex screws on the stand to pan, tilt or rotate the camera.
- Remember to tighten the screws back securely to lock the camera's position in place after you've finished adjusting the viewing angle of the camera.

Troubleshooting

The NVR is not detecting the camera

- Make sure the connection between the camera and NVR is direct - i.e. no hubs, switches, adapters or other devices. Use only the supplied cable. Check that all cables are properly connected and secure; the connection may be loose.
- Try connecting the camera to a different channel on the NVR. Reboot the system between connections to ensure a proper IP address refresh. If this doesn't work, then try a different network cable - there may be a breakage.

I can't see anything at night

There are a few possible solutions to this problem. Here are some of the most common.

- If the image is mostly black, then this may indicate that the night vision isn't turning on. A bright light source somewhere in the picture can fool the light sensor into thinking it's still daytime - try re-aiming the camera.
- If the image is mostly white, then this indicates that the IR light from the night vision is bouncing back into the lens.
- At night, the infrared light the camera uses to see in the dark can 'bounce back' off a reflective surface (such as glass, water, spider webs, some ceramics and so on) and effectively blind the camera. If you want to see outside, then the camera itself needs to be outside!

Resetting the camera

The Reset button can be used to restore the camera to factory default settings, if necessary.

1. Unplug the Ethernet cable from the camera's "LAN" connector.
2. Press and hold the Reset button and plug the Ethernet cable back into the "LAN" connector.
3. Release the Reset button after a few seconds.

Having problems?

We're here to help! Visit us at <http://support.swann.com>. You'll find all the answers to the most frequently asked questions. If you would like to reach us by email or phone, our technical support contact details are available on the back of this manual.

Helpdesk / Technical Support Details

Telephone Helpdesk

USA Toll Free	1-800-627-2799
USA Parts & Warranty	1-800-627-2799 (M-F, 9am-5pm US PT)
AUSTRALIA	1800 788 210
NEW ZEALAND Toll Free	0800 479 266
UK	0808 168 9031

Swann Technical Support

All Countries E-mail: tech@swann.com

