

Start Here

IMPORTANT
DO NOT connect the USB cable yet.

WARNING Warnings tell you what to do to prevent possible personal injury.

Illustrations in this Quick Setup Guide are based on the DCP-195C.

1 Unpack the machine and check the components

1

- Note**
- The components of your box may differ depending on your country.
 - Save all packing materials and the box in case for any reason you must ship your machine.
 - A USB cable is not included.
 - You need to purchase a USB 2.0 cable that is no more than 2 metres long.



¹ Approx. 65% yield of the replacement cartridge. For details, see Consumable items in the User's Guide.

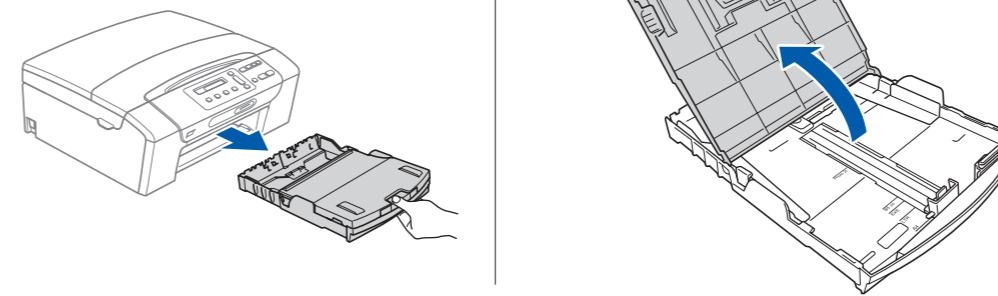
WARNING
Plastic bags are used in the packaging of your machine. To avoid danger of suffocation, please keep these bags away from babies and children.

- Remove the protective tape and film.
- Remove the plastic bag ¹ containing the ink cartridges from on top of the paper tray.
- Make sure you have all components.

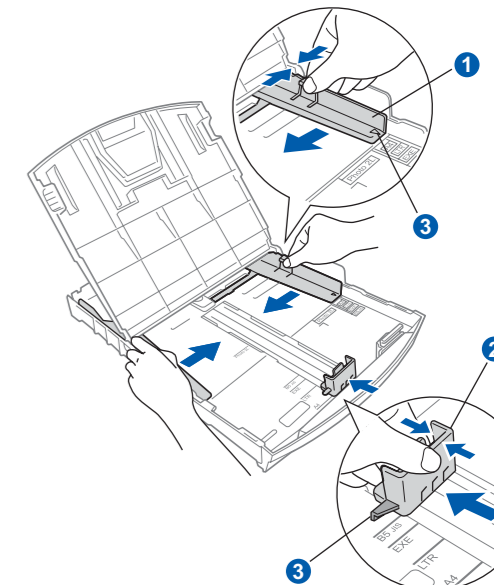
2 Load plain A4 paper

2

- Pull out the paper tray.
- Lift the output paper tray cover ¹.
- Press and slide the paper side guides ¹ and paper length guide ² to fit the paper size.

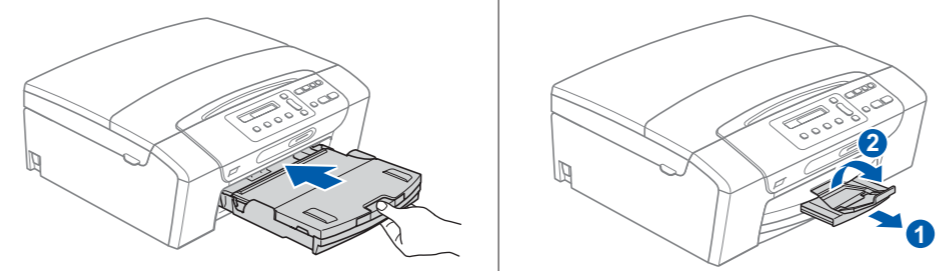


Make sure that the triangular marks ³ on the paper side guides ¹ and paper length guide ² line up with the mark for the paper size you are using.



IMPORTANT
DO NOT push the paper in too far.

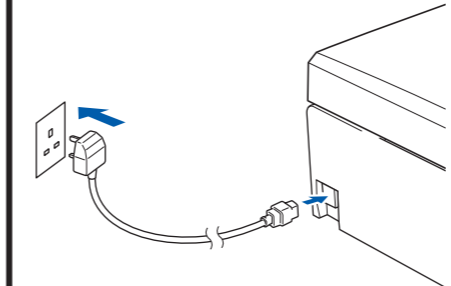
- Fan the stack of paper well.
- Gently put the paper into the paper tray. Check that the paper is flat in the tray.
- Gently adjust the paper side guides to the paper with both hands. Make sure the paper side guides touch the edges of the paper.
- Close the output paper tray cover and slowly push the paper tray back into the machine.
- Pull out the paper support ¹ until it clicks, and then unfold the paper support flap ².



3 Connect the power cord

3

- Connect the power cord.
- WARNING**
The machine must be fitted with an earthed plug.



IMPORTANT
DO NOT connect the USB cable yet.

Note
The Warning LED on the control panel will stay on until you have installed the ink cartridges.

4 Set the language

4

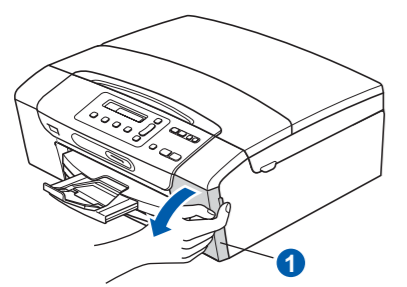
- When the LCD shows this message, press OK.
`Select Language`
- Press **OK** Key.
`Press OK Key`
- Press **▲** or **▼** to choose your language and press **OK**.
`English`
- Press **▲** (Yes) to confirm the language setting.
`Select ▲ & OK`

Note
If you set the wrong language, you can change it again after setting the date and time. (For details see Changing LCD language in Chapter 3 of the User's Guide.)

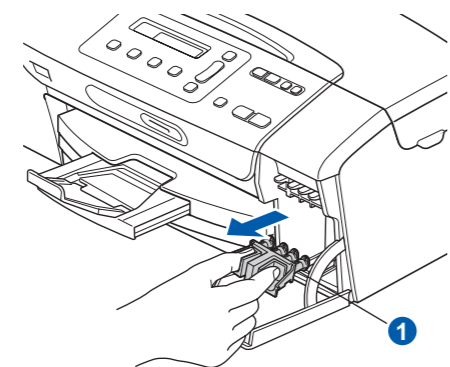
5 Install the ink cartridges

5

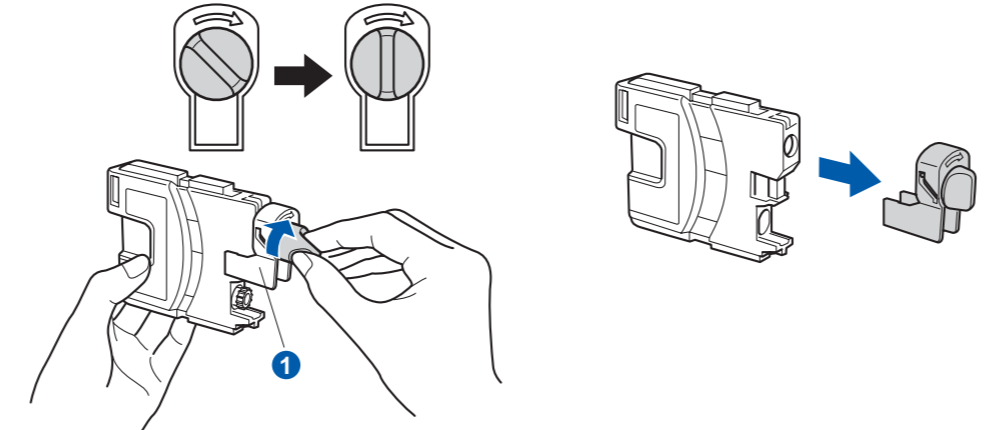
- The LCD shows:
`No Cartridge`
- Open the ink cartridge cover ¹.



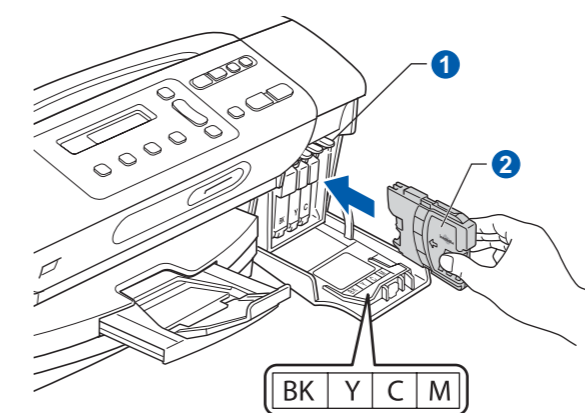
- Remove the green protective part ¹.



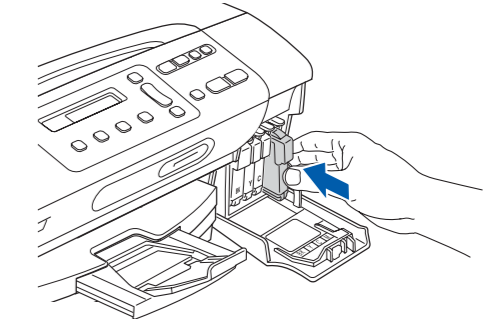
- Unpack the ink cartridge. Turn the green knob on the protective yellow cap clockwise until it clicks to release the vacuum seal, then remove the cap ¹.



- Install each ink cartridge in the direction of the arrow on the label. Take care to match the colour of the lever ¹ with the cartridge colour ².



- Gently push the ink cartridge until it clicks. After all the ink cartridges are installed close the ink cartridge cover.



Note
The machine will prepare the ink tube system for printing. This process will take approximately four minutes. Do not turn off the machine.

6 Check the print quality

6

- When the preparation process has finished, the LCD shows this message.
`Set Paper and`
`Press Start`
Press **Colour Start**.

- Check the quality of the four colour blocks ¹ on the sheet. (black/yellow/cyan/magenta)



- If all lines are clear and visible, press **▲** (Yes) to finish the quality check.
- If you can see missing short lines, press **▼** (No) and follow the steps on the LCD.



7 Set the LCD contrast (if needed)

7

- Press **Menu**.
- Press **▲** or **▼** to choose 0.Initial Setup, and then press **OK**.
- Press **▲** or **▼** to choose 2.LCD Contrast, and then press **OK**.
- Press **▲** or **▼** to choose Dark or Light.
- Press **OK** and then **Stop/Exit**.

8 Set the date and time

8

- Press **Menu**.
- Press **▲** or **▼** to choose 0.Initial Setup, and then press **OK**.
- Press **▲** or **▼** to choose 1.Date&Time, and then press **OK**.
- Press **▲** or **▼** repeatedly to enter the last two digits of the year, and then press **OK**.
`Year: 2009`
(e.g. Enter 09 for 2009.)
- Repeat for Month and Day, and Hours and Minutes in 24-hour format.
- Press **Stop/Exit**.

Note
If you make a mistake and want to start again, press **Stop/Exit** to go back to step a.



Turn the sheet over.

For Windows®

Before you install

9 a. Make sure that your computer is ON and you are logged on with Administrator rights.

IMPORTANT

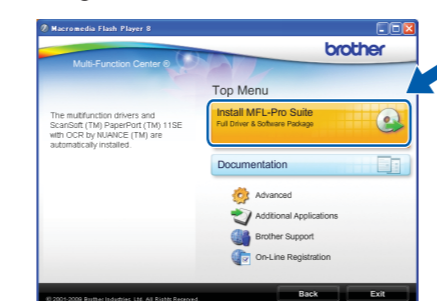
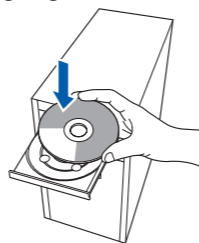
- DO NOT connect the USB cable yet.
- Close any applications.
- Make sure there are no memory cards or a USB Flash memory drive inserted.
- The screen may differ depending on the operating system.
- The supplied CD-ROM includes ScanSoft™ PaperPort™ 11SE.
- This software supports Windows® 2000 (SP4 or greater), XP (SP2 or greater), XP Professional x64 Edition and Windows Vista®. Update to the latest Windows® Service Pack before installing MFL-Pro Suite.
- For Windows Vista®, when the User Account Control screen appears, click **Allow**.

Install MFL-Pro Suite

10 a. Insert the supplied CD-ROM into your CD-ROM drive. Choose your language.

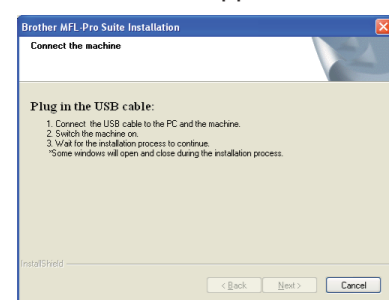
Note

If the Brother screen does not appear automatically, go to **My Computer (Computer)**, double-click the CD-ROM icon, and then double-click **start.exe**.



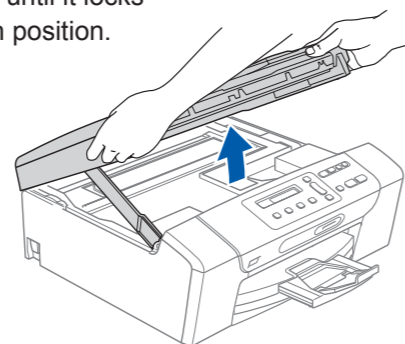
b. Click **Install MFL-Pro Suite**, and click **Yes** if you accept the license agreements.

c. Follow the on-screen instructions until this screen appears:

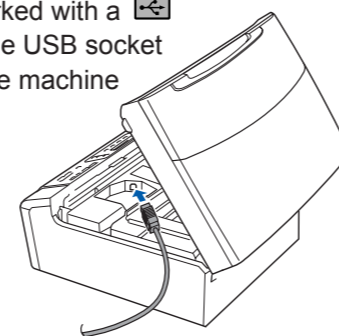


Connect the USB cable

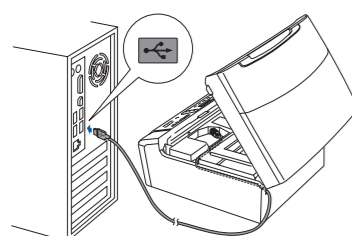
11 a. Lift the scanner cover until it locks securely into the open position.



b. Connect the USB cable to the USB socket marked with a symbol. The USB socket is inside the machine as shown.



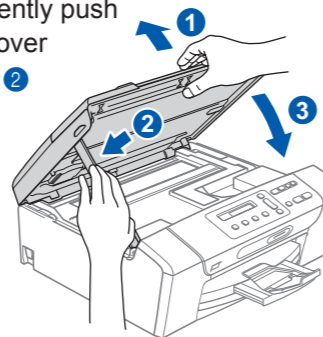
c. Carefully guide the USB cable into the cable channel and out the back of the machine. Connect the cable to your computer.



IMPORTANT

- DO NOT connect the machine to a USB port on a keyboard or a non-powered USB hub. Connect the machine directly to your computer.
- Make sure that the cable does not restrict the cover from closing, or an error may occur.

d. Lift the scanner cover to release the lock 1. Gently push the scanner cover support down 2 and close the scanner cover 3.



e. The installation will continue automatically. The installation screens appear one after another.

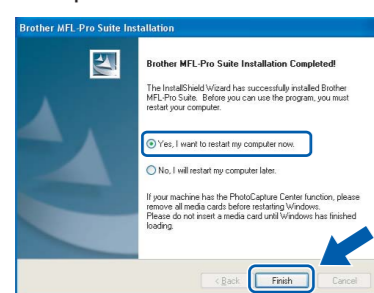
IMPORTANT

DO NOT cancel any of the screens. It may take a few minutes for installation to complete.

f. When the **On-Line Registration** screen appears, make your selection and follow the on-screen instructions.

Finish and restart

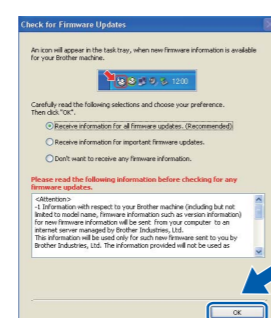
12 a. Click **Finish** to restart your computer.



Note

If an error message appears during the software installation, run the **Installation Diagnostics** located in **Start/All Programs/Brother/DCP-XXXX** (where DCP-XXXX is your model name).

b. Choose the firmware update setting and click **OK**.



Note

Internet access is required for the firmware update.

Finish

The installation is now complete.

Note

XML Paper Specification Printer Driver
The XML Paper Specification Printer Driver is the most suitable driver when printing from applications that use the XML Paper Specification documents. Please download the latest driver by accessing the Brother Solutions Center at <http://solutions.brother.com/>.

Install Optional Applications supported by Reallusion, Inc

13 FaceFilter Studio lets you edit your photo data and add photo effects such as red eye reduction or skin tone enhancement.

IMPORTANT

- The computer must be connected to the internet.
- The machine must be ON and connected to the computer.
- Make sure you are logged on with Administrator rights.

a. Open the top menu again by ejecting and then reinserting the CD-ROM or by double-clicking the **start.exe** program from the root folder.
b. The CD-ROM Top Menu will appear. Choose your language and then click **Additional Applications**.

c. Click the **FaceFilter Studio** button to install.

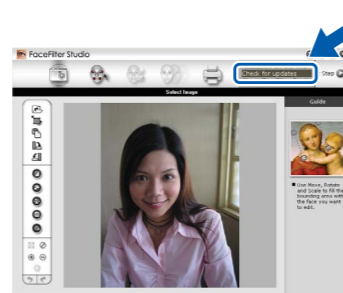
Note

You can also install **BookScan&Whiteboard Suite** from the main menu.

Install FaceFilter Studio Help

14 a. Go to **Start/All Programs/Reallusion/FaceFilter Studio** on your computer.

b. Click the **?** button on the upper right corner of the screen, and then click **Check for updates** to go to the Reallusion update web page.



c. Click the **Download** button and choose a folder to save the file in.

d. Close FaceFilter Studio, double-click the downloaded file from the folder you specified, and then follow the on-screen instructions to install.

Note

To view **FaceFilter Studio Help**, go to **Start/All Programs/Reallusion/FaceFilter Studio/FaceFilter Studio Help** on your computer.

For Mac OS X

Before you install

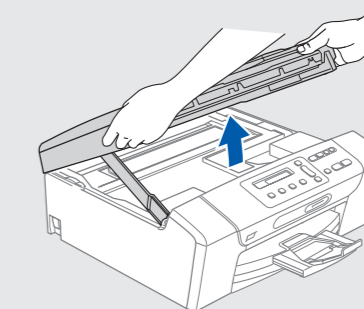
9 Make sure your machine is connected to the power and your Macintosh is ON. You must be logged on with Administrator rights.

IMPORTANT

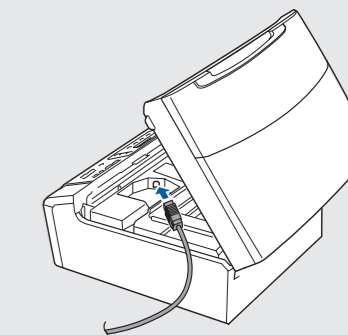
- Make sure there are no memory cards or a USB Flash memory drive inserted.
- For Mac OS X 10.3.0 to 10.3.8 users, upgrade to Mac OS X 10.3.9 - 10.5.x. (For the latest information for Mac OS X, visit <http://solutions.brother.com/>)

Connect the USB cable

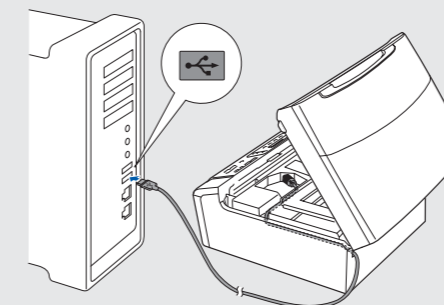
10 a. Lift the scanner cover until it locks securely into the open position.



b. Connect the USB cable to the USB socket marked with a symbol. The USB socket is inside the machine as shown below.



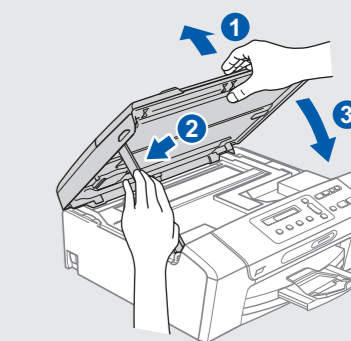
c. Carefully guide the USB cable into the cable channel and out the back of the machine.
d. Connect the cable to your Macintosh.



IMPORTANT

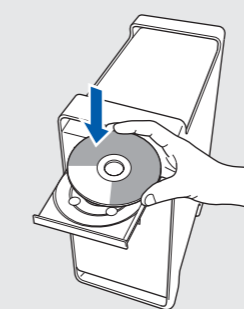
- DO NOT connect the machine to a USB port on a keyboard or a non-powered USB hub. Connect the machine directly to your Macintosh.
- Make sure that the cable does not restrict the cover from closing, or an error may occur.

e. Lift the scanner cover to release the lock 1. Gently push the scanner cover support down 2 and close the scanner cover 3.

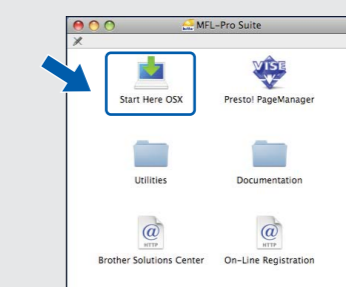


Install MFL-Pro Suite

11 a. Insert the supplied CD-ROM into your CD-ROM drive.



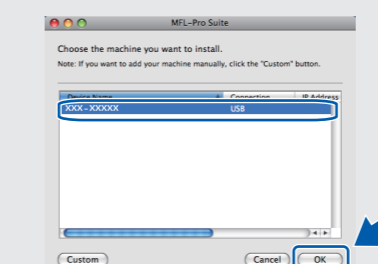
b. Double-click the **Start Here OSX** icon.



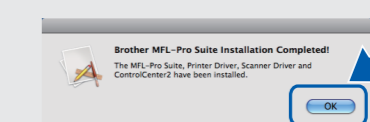
Note

It may take a few minutes for installation to complete. After the installation, click **Restart**.

c. Choose the machine from the list, and then click **OK**.



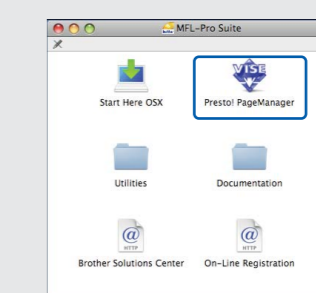
d. Click **OK**.



Install Presto! PageManager

12 When Presto! PageManager is installed, OCR capability is added to Brother ControlCenter2. With Presto! PageManager, you can easily scan, share and organize photos and documents.

a. Double-click the **Presto! PageManager** icon and follow the on-screen instructions.



Finish

The installation is now complete.