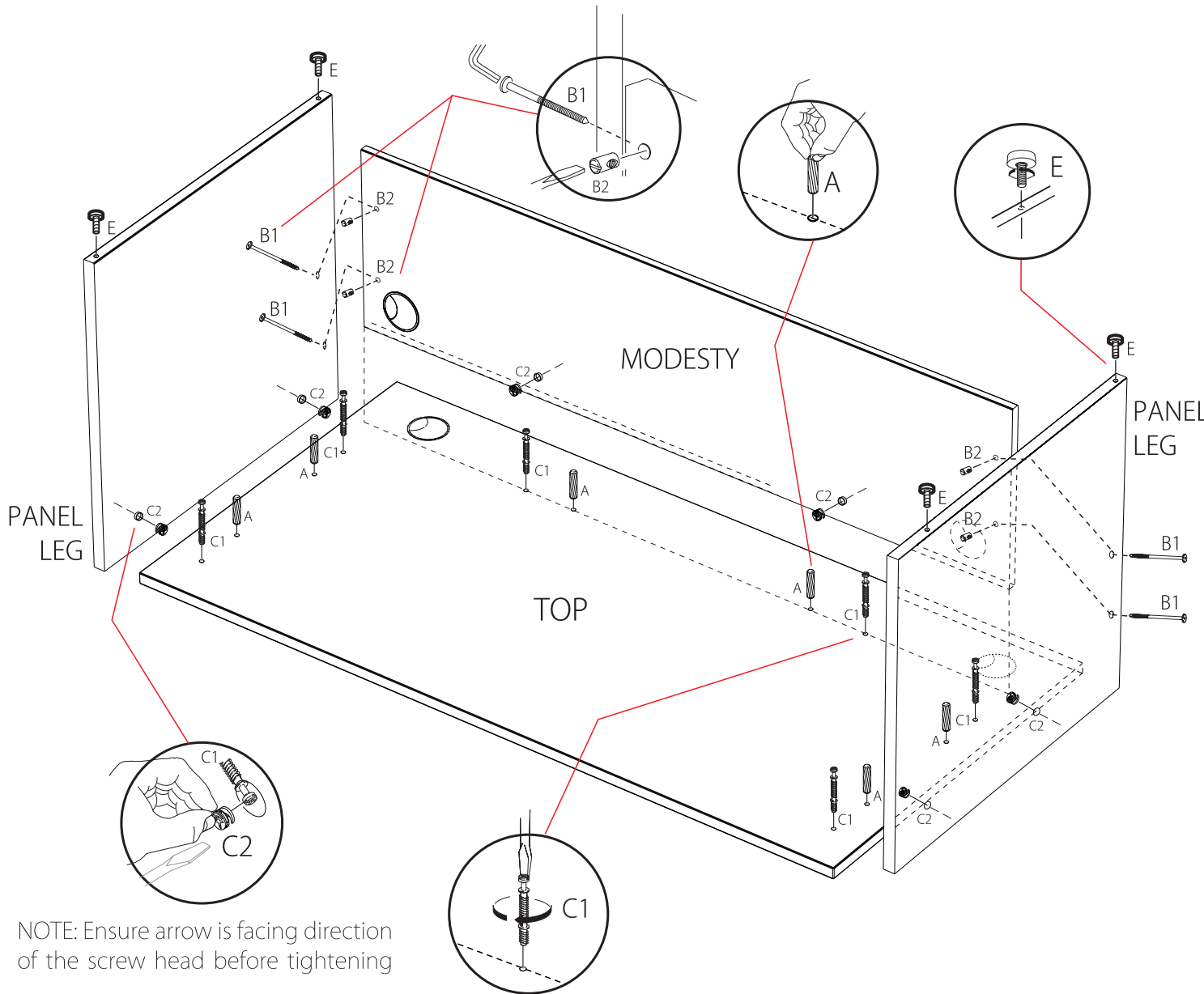


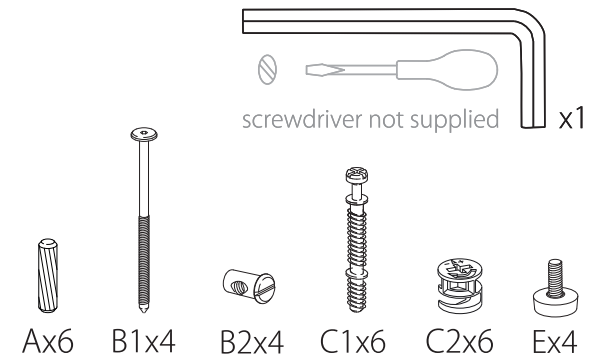
# STRAIGHT DESK – PANEL END

## Assembly instruction



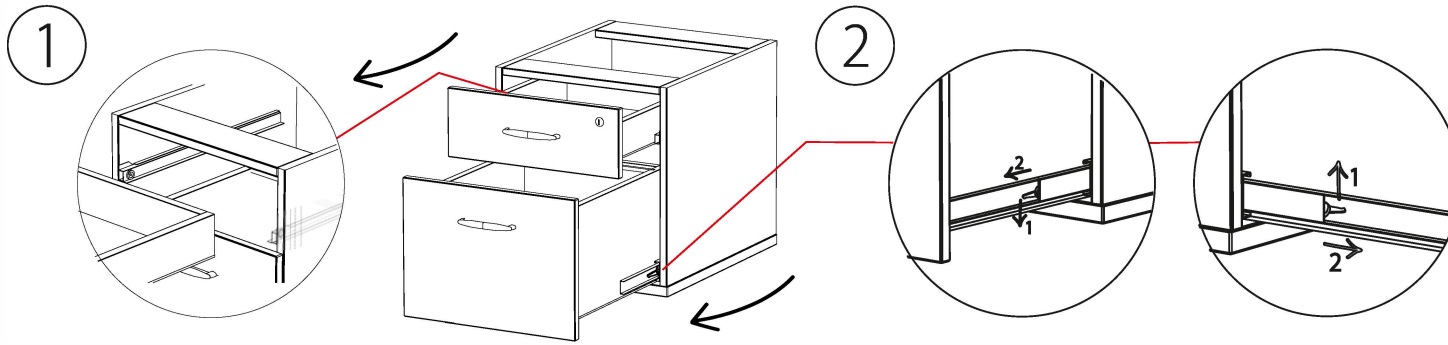
- 1) Separate all parts and fittings.
- 2) Check all parts you have received are correct.
- 3) Place the desk top upside down. This will require two people.
- 4) Attach all wooden dowels (A) to the desk top.
- 5) Attach all screws (C1) to the desk top.
- 6) Insert the cable ports into the modesty panel
- 7) Position the modesty panel on the desk. Ensure the dowels and screws are inserted into the correct holes.
- 8) Insert the cam locks (C2) into the necessary holes. Turn the cam lock to secure the modesty panel to the desk top.
- 9) Attach the legs to the top. Use the wooden dowels (A) and screws (C1) as guides.
- 10) Insert the cam locks (C2) into their fixing positions on the inside of the leg. Turn the cam lock to secure the leg into place.
- 11) Insert the cross dowels (B2) into their position in the modesty panel.
- 12) Insert the screws (B1) into the panel end legs. Tighten into the cross dowels (B2) to secure the legs to the modesty panel.
- 13) Screw the height adjusting feet (E) into the Legs. Do not tighten too much as you may need to adjust the height when the desk is in position.
- 14) Go around all fittings a final time and ensure they are secure.
- 15) When turning the desk over it is important to remember that a two-person lift will mean you do not damage the assembly.
- 16) Insert the cable ports into the desk top.

If your desk requires moving after assembly, please lift with 2 people to prevent any damage to the assembly.



# FIXED PEDESTAL

Assembly instruction



② NOTE: ON EACH SIDE OF THE DRAWER IS A CLIP LOCKING THE DRAWER IN PLACE. PRESS DOWN ONE SIDE WHILE PULLING UP THE OTHER. IF THE TIP OF THE CLIP POINTS UP - PULL UP, IF THE CLIP POINTS DOWN - PUSH DOWN. TO RETURN THE DRAWER, ALIGN THE RAILS ON THE SIDE OF THE TRAY TO THE SLIDES AND PUSH UP UNTIL YOU HEAR THE "CLICK" SOUND.

