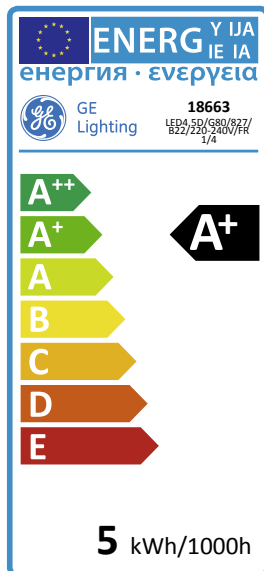




GE
Lighting



5
kWh/1000h

A+
energy class

60
lumens/watt

GE Energy Smart™ Globe Dimmable

LED4.5D/G80/827/B22/220-240V/FR 1/4

18663

Product information

GE's new sparkling clear and soft white finished 80&125mm globe range of LED Decorative lamps offers superb performance with high quality aesthetics and great reliability. Features such as standard IEC dimensions, 20,000 hours rated life and wide dimming compatibility combine to make this a highly desirable product range for 25W and 40W Halogen lamps with only 4.5W and 6W.

Application areas



Home



Retail



Office



Hospitality



Product data

Cap/Base	B22
Bulb Shape	Globe
Bulb Finish	White
Bulb Diameter [mm]	80
Bulb maximum overall diameter [mm]	81
Maximum Overall Length [mm]	108
Net weight per piece [g]	105
Gross weight per piece [g]	190
Brand	General Electric (GE)

Performance data

Colour Rendering Index (CRI) [Ra]	80
Nominal correlated colour temperature (CCT) [K]	2700
Nominal lumens [lm]	270
Rated Lumens [lm]	270
Nominal useful lumens [lm]	270
Energy efficiency class (EEC)	A+
Rated life L70/B50 [h]	20000
Weighted energy consumption [kWh/1000h]	4.5

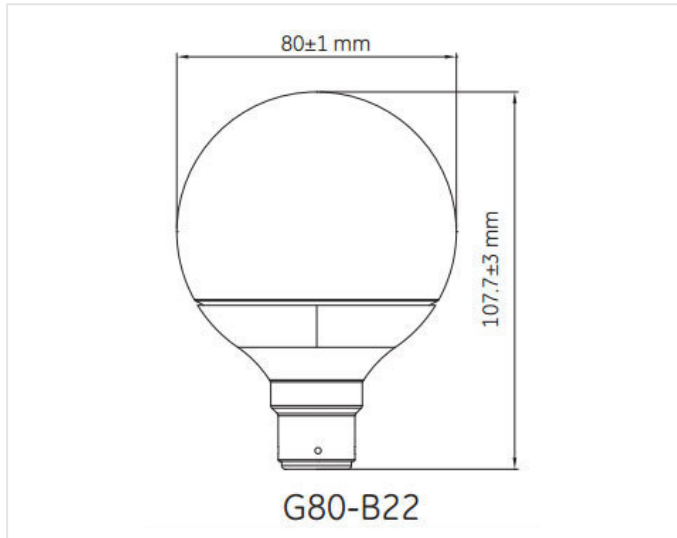
Electrical data

Nominal power [W]	4.5
Rated power [W]	4.5
Nominal lamp power factor	0.9
Nominal lamp voltage [V]	230
Lamp Current [A]	0.03
Operating Temperature (MAX) [°C]	52.5
Run-up time (sec)	<0.5
Starting time (sec)	<0.5
Number of switching cycles	40000
Dimming Capability	Yes

Logistic data

DUN Code	10043168186633
EAN Code	0043168186636
Pack Quantity	4
Inner pack type	HANGING BOX
Outer pack type	OUTER BOX
Layer quantity	60 EUR, 72 UK
Layer quantity EUR	60
Layer quantity UK	72
Pallet quantity EUR (PC)	300
Pallet quantity UK (PC)	360
Outer case size	613 x 219 x 194 (mm)
Product status	Available

Technical drawing



Downloads & Links

[Go to the catalog site \(HTTP\)](#)

[Product datasheet \(PDF\)](#)

[Dimming compatibility \(HTTP\)](#)

[LED Lighting Solutions - Catalogue \(EN\) \(PDF\)](#)

[Lighting design tools & calculators \(HTTP\)](#)

[Datasheets \(HTTP\)](#)

[High-res images / Technical drawings \(HTTP\)](#)

[Certificate for the Quality Management System of GE Lighting EMEA \(PDF\)](#)

[Certificate for the Environmental Management System of GE Lighting EMEA \(PDF\)](#)